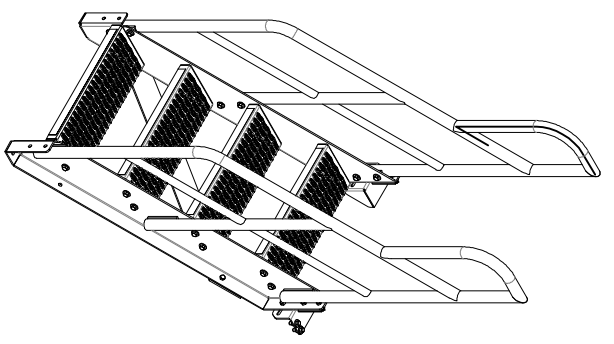
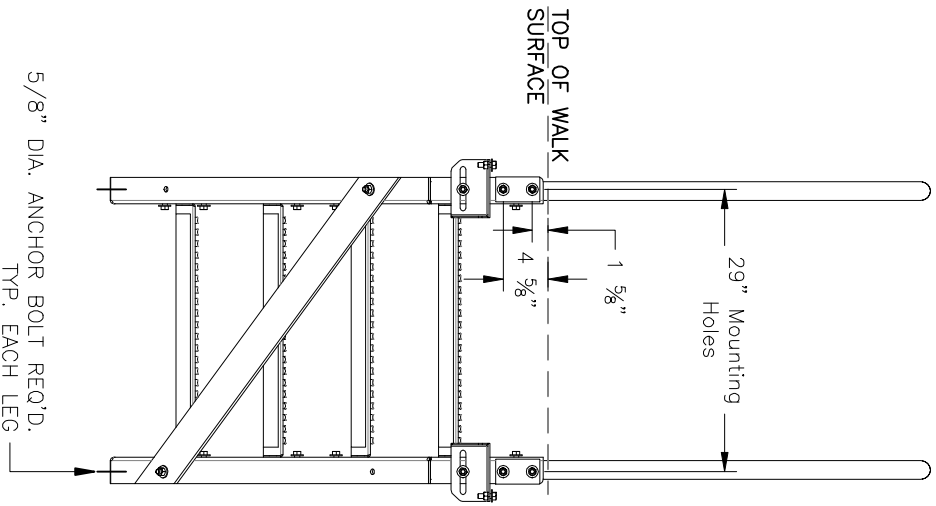
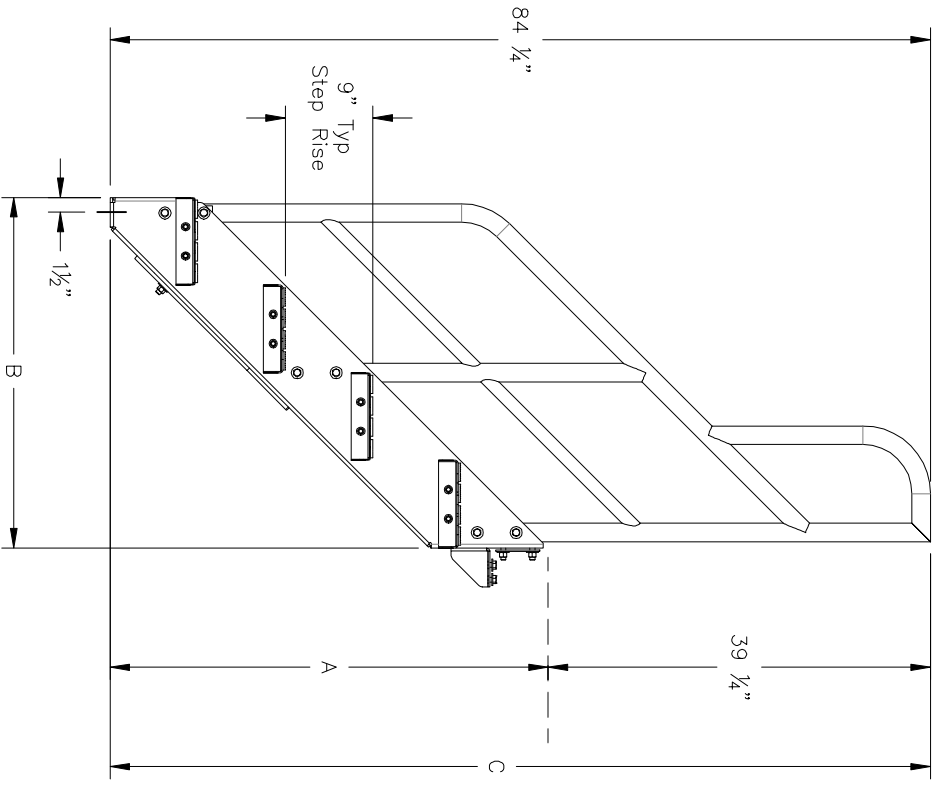


SECTION A-A



	A	B	C	Est. Weight
1-Step	18"	9"	57 1/4"	31 lbs
2-Step	27"	18"	66 1/4"	47 lbs
3-Step	36"	27"	75 1/4"	72 lbs
4-Step	45"	36"	84 1/4"	93 lbs
5-Step	54"	45"	93 1/4"	113 lbs
6-Step	63"	54"	102 1/4"	128 lbs
7-Step	72"	63"	111 1/4"	145 lbs
8-Step	81"	72"	120 1/4"	164 lbs
9-Step	90"	81"	129 1/4"	128 lbs
10-Step	99"	90"	138 1/4"	145 lbs
11-Step	108"	99"	147 1/4"	164 lbs

SAFERACK WELDING STANDARDS
SEAL WELD UNLESS OTHERWISE NOTED
LINE FILLETS LISTED BELOW UNLESS OTHERWISE NOTE

Material Thickness Minimum Fillet of Thicker Part (Joint Root)	Size - B (Inch)
To 1/4"	1/8"
Over 1/4" to 1/2"	3/16"
Over 1/2" to 3/4"	1/4"
Over 3/4"	5/16"



PART NAME: **ERECTASTEP STAIR SPEC SHEET**

DESIGNED BY: TKING	DATE: 2010
DRAWN BY:	DATE:
CHECKED BY: KS	DATE: 11/20/10
PROGRAMMED BY:	DATE:
PROGRAMMED CHECKED BY:	DATE:

ALL INFORMATION CONTAINED HEREIN IS CONFIDENTIAL & PROPRIETARY & MAY NOT BE DISCLOSED IN ANY FORM WITHOUT PRIOR WRITTEN CONSENT OF SAFERACK LOADING RACK TECHNOLOGIES

PART#: ALUM
SHEET NO: 1 OF 1

BATCH	DATE	REV	DESCRIPTION	NAME	BY

JOB #	CUSTOMER	ABAS #
-------	----------	--------