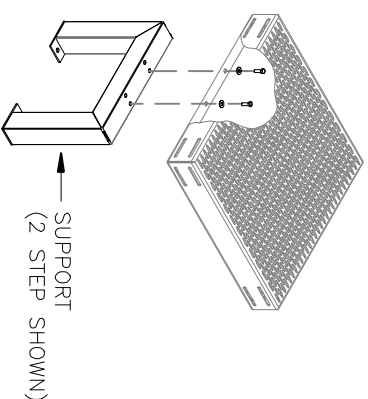
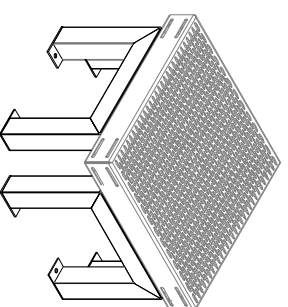


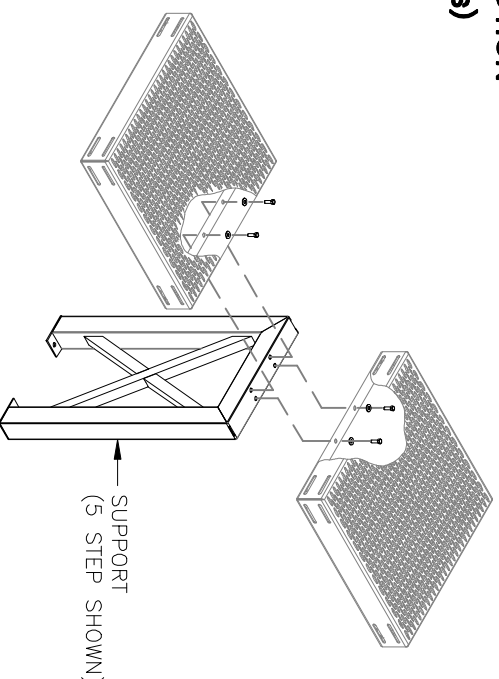
**TYPICAL BOLTED CONNECTION**  
(outside bolting one)



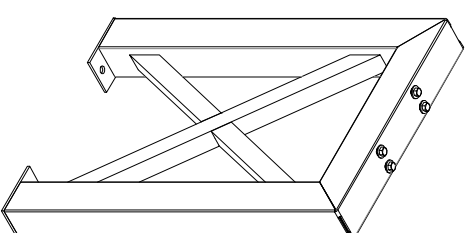
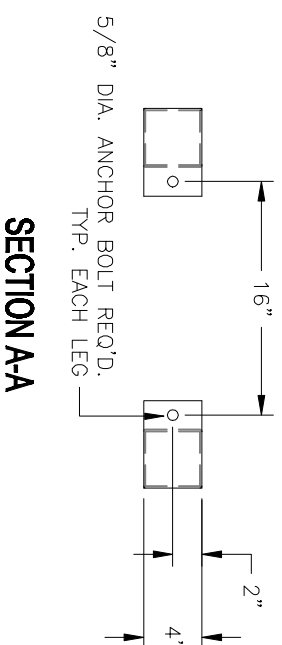
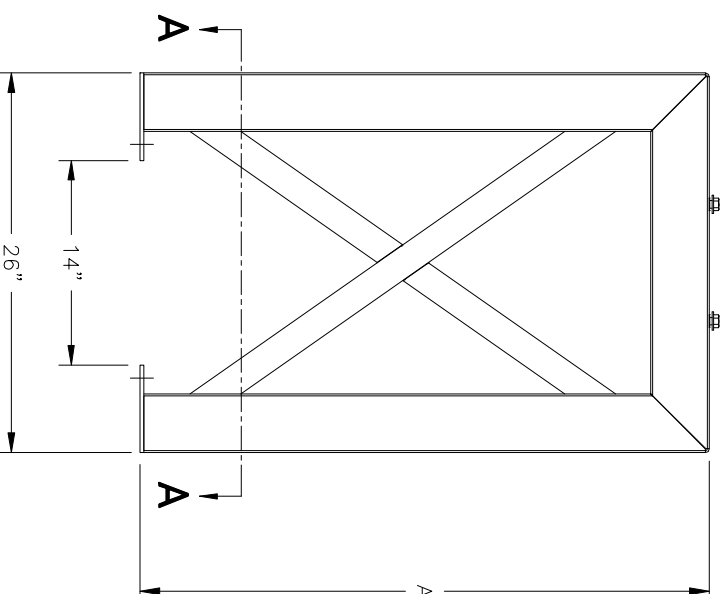
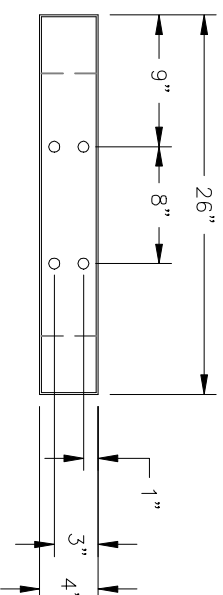
**TYPICAL BOLTED CONNECTION**  
(inside bolting one)



**TYPICAL BOLTED CONNECTION**  
(outside bolting all sides)



**TYPICAL BOLTED CONNECTION**  
(outside bolting two)



	A	Est. Weight
1-Step	12"	10 lbs
2-Step	21"	13 lbs
3-Step	30"	17 lbs
4-Step	39"	25 lbs
5-Step	48"	30 lbs
6-Step	57"	34 lbs
7-Step	66"	41 lbs
8-Step	75"	44 lbs
9-Step	84"	48 lbs
10-Step	93"	52 lbs
11-Step	102"	59 lbs

**SAFERACK WELDING STANDARDS**

SEAL WELD UNLESS OTHERWISE NOTED

USE FILLETS LISTED BELOW UNLESS OTHERWISE NOTE

Material Thickness Minimum Fillet of Tower Post (Inch)	Min. Fillet (Inch)
0 - 1/4"	1/8"
Over 1/4" to 1/2"	3/16"
Over 1/2" to 3/4"	1/4"
Over 3/4"	5/16"



**PART NAME: ERECTASTEP TOWER SPEC SHEET**

MODEL BY: TKING	DATE: 2010
DRAWN BY:	DATE:
CHECKED BY: KS	DATE: 11/20/10
PROGRAMMED BY:	DATE:
PROGRAMMED CHECKED BY:	DATE:

ALL INFORMATION CONTAINED HEREIN IS CONFIDENTIAL & PROPRIETARY & MAY NOT BE DISCLOSED IN ANY FORM WITHOUT PRIOR WRITTEN CONSENT OF SAFERACK LOGGING RACK TECHNOLOGIES

PART#: ALUM  
SHEET SCALE:  
SHEET: 1 OF 1

#	DATE	REV	RELEASE FOR FABRICATION DESCRIPTION	NAME	BY
BATCH	DATE	REV	DESCRIPTION		

JOB #	CUSTOMER	ABAS #
-------	----------	--------