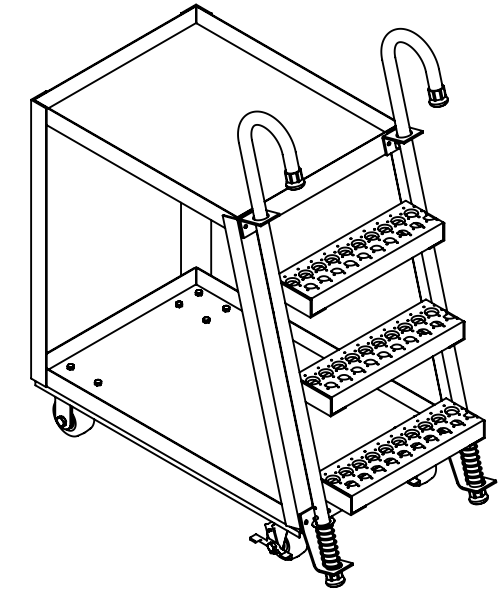
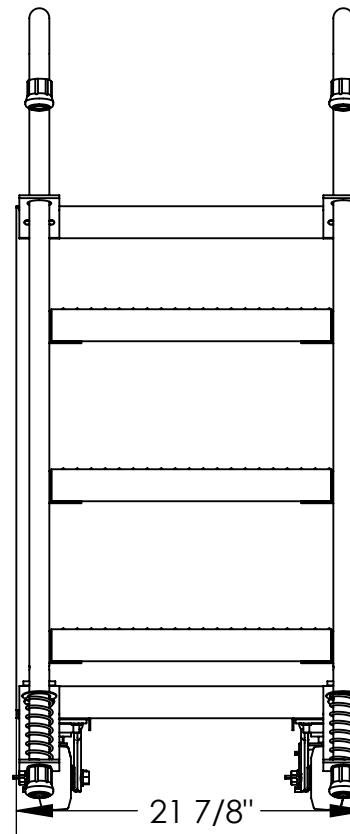
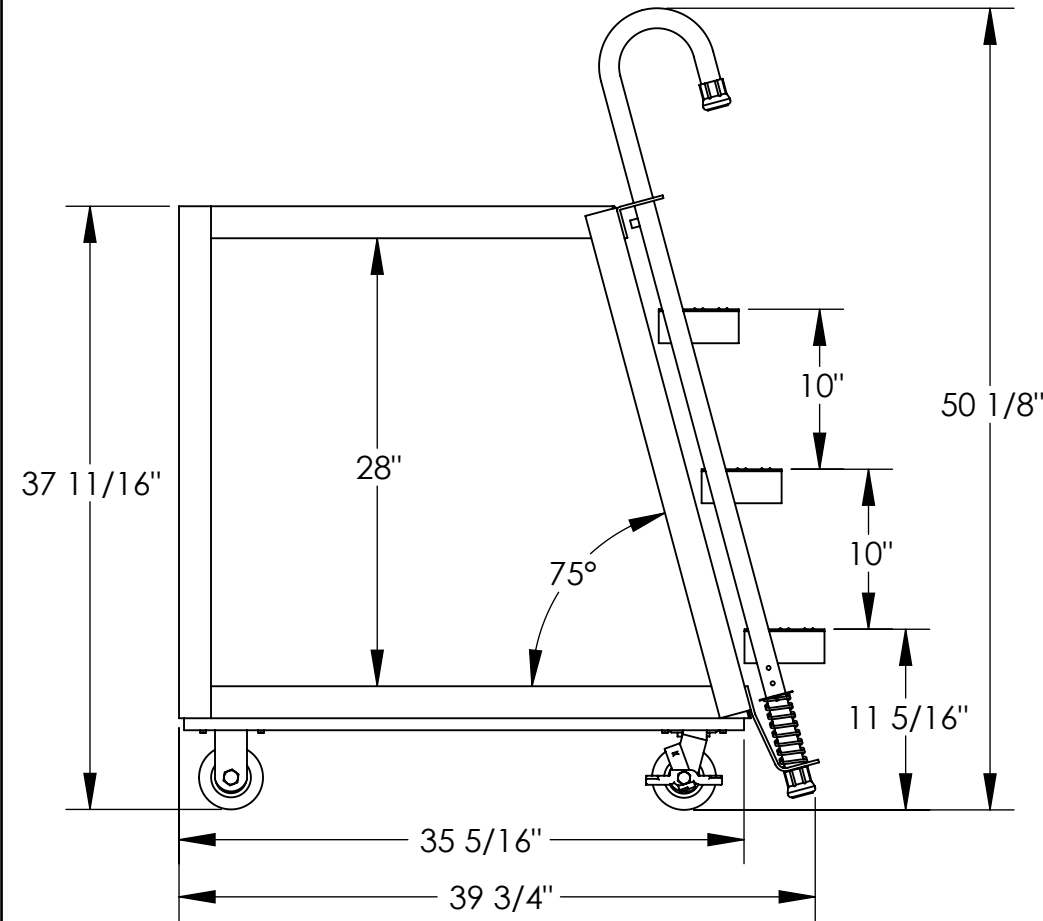


MODEL NAME - SPS2-2236

APPROX WEIGHT: 115.47 lbs.
DOES NOT INCLUDE WEIGHT OF POWER OR PACKAGING!!!

*** ANY ADDITIONS, DELETIONS, OR OMISSIONS MUST BE CORRECTED ON THIS DRAWING AS THIS DRAWING WILL BE CONSIDERED ALL INCLUSIVE ***

ALL GRAPHICS PROVIDED ARE FOR REFERENCE ONLY. IF CERTAIN DIMENSIONS ARE CRITICAL PLEASE VERIFY THOSE DIMENSIONS WITH YOUR SALESPERSON



3D VIEW SHOWN FOR REFERENCE ONLY

STANDARD FEATURES

MODEL NUMBER IS SPS2-22-36
CAPACITY IS 1000 LBS. (550 LBS. PER SHELF)
OVERALL WIDTH IS 21 7/8"
OVERALL LENGTH IS 39 3/4"
OVERALL HEIGHT IS 49 3/8"
BOTTOM SHELF SIZE IS 21 5/8" X 35 5/8"
TOP SHELF SIZE IS 21 5/8" X 27 5/8"
TOP SHELF HEIGHT IS 37 11/16"
SHELF CLEARANCE IS 28"
CASTERS ARE 4" X 2" MOLD-ON-RUBBER
(2) RIGID, (2) SWIVEL
STEEL FRAME CONSTRUCTION
LADDER CAPACITY IS 350 LBS

SPECIAL FEATURES

NONE

APPROVAL

I, THE UNDERSIGNED, AGREE THAT THE PRODUCT AS REPRESENTED SATISFIES DESIGN AND DIMENSION REQUIREMENTS. I ALSO ACKNOWLEDGE MY DUTY TO CONFIRM PRODUCT AND INSTALLATION COMPLIANCE WITH ALL APPLICABLE FEDERAL, STATE AND LOCAL REGULATIONS AND STANDARDS.
ALL SPECIAL UNITS ARE NON-RETURNABLE
[] As drawn [] As marked

Signed: _____ Date: _____

LEAD TIME WILL START UPON RECEIPT OF SIGNED APPROVAL DRAWING

DISTRIBUTOR'S NAME:		P.O.#
VESTIL MANUFACTURING		X
DRAWN BY: WHR		DATE: 08/17/11
REFERENCE: X		SCALE: 1:12
QUOTED LEAD TIME: X		QUOTE # X
		SALES: X
		FILE NAME: 32-007-013