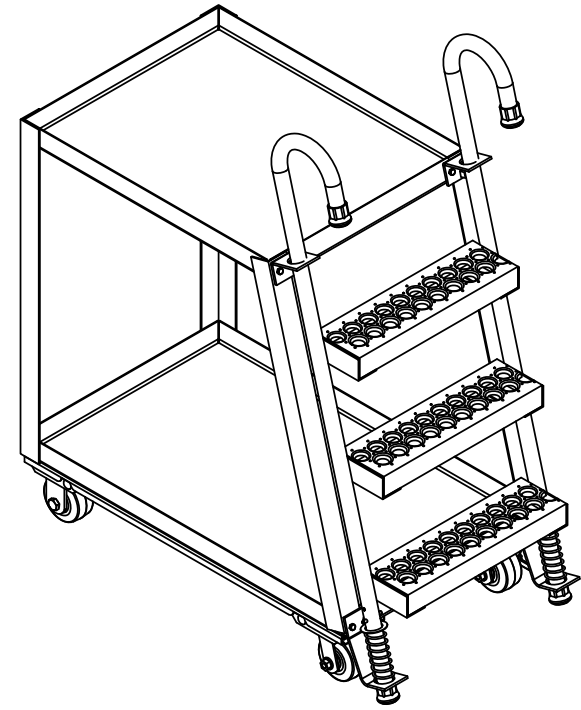
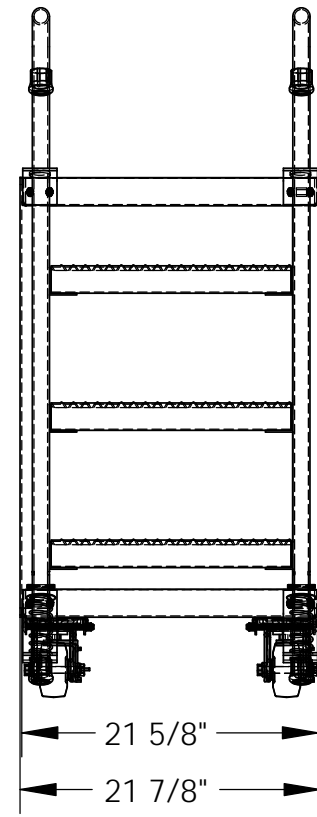
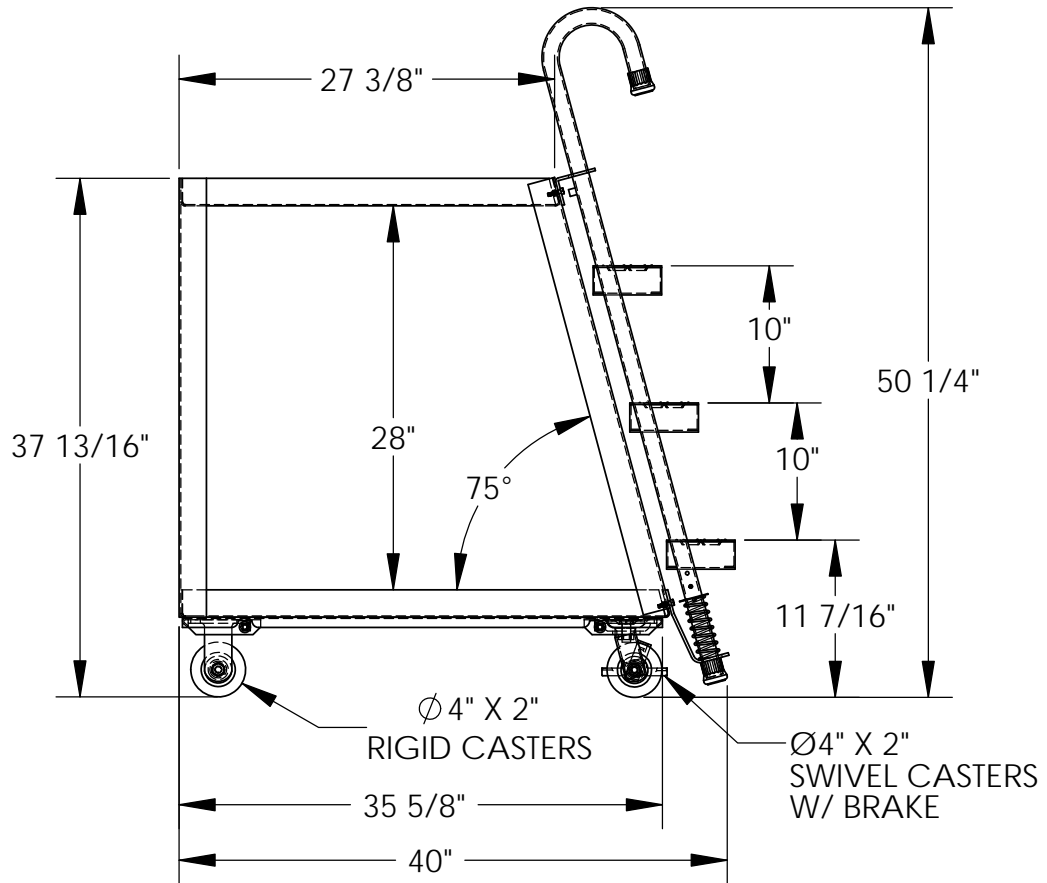


# 2-SHELF STOCK PICKER TRUCK - SPA2-2236

APPROX WEIGHT: 77.52 lbs.  
DOES NOT INCLUDE WEIGHT OF POWER OR PACKAGING!!!

\*\*\* ANY ADDITIONS, DELETIONS, OR OMISSIONS MUST BE CORRECTED ON THIS DRAWING AS THIS DRAWING WILL BE CONSIDERED ALL INCLUSIVE \*\*\*

ALL GRAPHICS PROVIDED ARE FOR REFERENCE ONLY. IF CERTAIN DIMENSIONS ARE CRITICAL PLEASE VERIFY THOSE DIMENSIONS WITH YOUR SALESPERSON



3D SHOWN FOR REFERENCE ONLY

## STANDARD FEATURES

- MODEL NUMBER IS SPA2-2236
- CAPACITY: 660 LBS. TOTAL  
(330 LBS. PER SHELF)
- OVERALL WIDTH IS 21 7/8"
- OVERALL LENGTH IS 40"
- OVERALL HEIGHT IS 50 1/4"
- BOTTOM SHELF SIZE: 21 5/8" X 35 1/4"
- TOP SHELF SIZE: 21 5/8" X 27 3/8"
- TOP SHELF HEIGHT: 37 13/16"
- SHELF CLEARANCE: 28"
- (2) 4X2 MOLD-ON-RUBBER SWIVEL  
CASTER WITH BRAKE
- (2) 4x2 MOLD-ON-RUBBER RIGID CASTER  
ALUMINUM FRAME CONSTRUCTION

## SPECIAL FEATURES

NONE

FOR INTERNAL USE ONLY PROJECT SIGN OFF	
SALES	
ENG.	
FAB.	
POWER	

**ALL SPECIAL UNITS  
ARE NON-RETURNABLE**

DIMENSION TOLERANCE ± 1/4"

<b>A P P R O V A L</b>	I, THE UNDERSIGNED, AGREE THAT THE PRODUCT AS REPRESENTED SATISFIES DESIGN AND DIMENSION REQUIREMENTS. I ALSO ACKNOWLEDGE MY DUTY TO CONFIRM PRODUCT AND INSTALLATION COMPLIANCE WITH ALL APPLICABLE FEDERAL, STATE AND LOCAL REGULATIONS AND STANDARDS.	
	<b>ALL SPECIAL UNITS ARE NON-RETURNABLE</b> [ ] As drawn [ ] As marked	
	Signed: _____	Date: _____

**LEAD TIME WILL START UPON RECEIPT OF SIGNED APPROVAL DRAWING**

DISTRIBUTOR'S NAME:		P.O.#
VESTIL MANUFACTURING		X
DRAWN BY: ND		W.O.#
DATE: 8/31/05		X
REFERENCE: X	SCALE: 1:14	SALES: X
QUOTED LEAD TIME: X	QUOTE #	FILE NAME:
	X	32-007-007