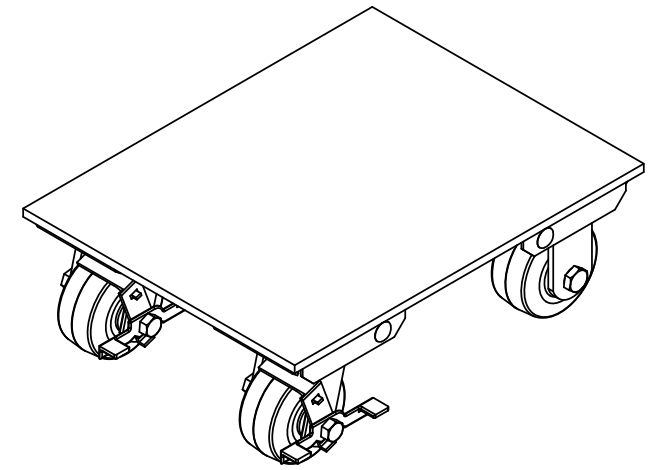
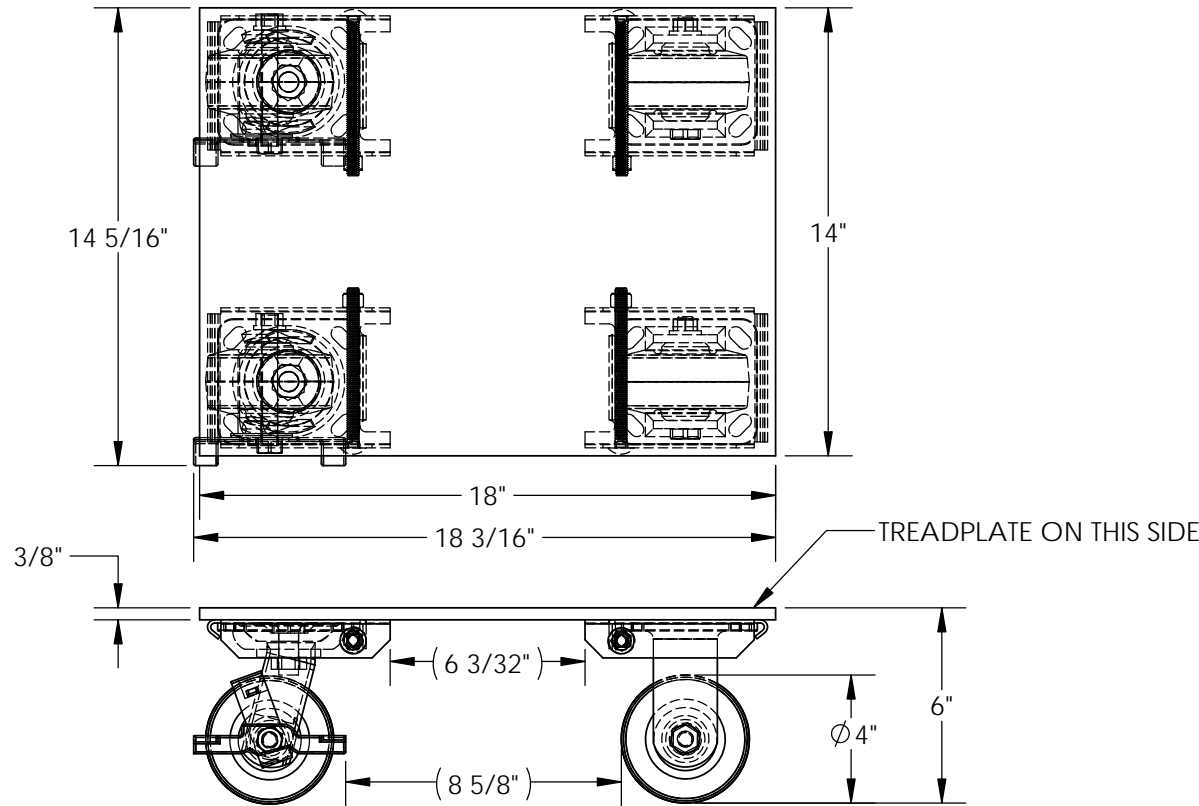


STEEL PLATE DOLLY - VPLDO/S-1418

APPROX WEIGHT: 47.42 lbs.
DOES NOT INCLUDE WEIGHT OF POWER OR PACKAGING!!!

*** ANY ADDITIONS, DELETIONS, OR OMISSIONS MUST BE CORRECTED ON THIS DRAWING AS THIS DRAWING WILL BE CONSIDERED ALL INCLUSIVE ***

ALL GRAPHICS PROVIDED ARE FOR REFERENCE ONLY. IF CERTAIN DIMENSIONS ARE CRITICAL PLEASE VERIFY THOSE DIMENSIONS WITH YOUR SALESPERSON



STANDARD FEATURES

- MODEL NUMBER IS: VPLDO/S-1418
- OVERALL WIDTH IS: 14 5/16"
- USABLE WIDTH IS: 14"
- OVERALL LENGTH IS: 18 3/16"
- USABLE LENGTH IS: 18"
- OVERALL HEIGHT IS: 6"
- MAX CAPACITY IS: 1200 LBS
- CASTERS: Ø4X2 (2) RIGID AND (2) SWIVEL WITH BRAKE

SPECIAL FEATURES

NONE

DIMENSION TOLERANCE ± 1/4"

A P P R O V A L	I, THE UNDERSIGNED, AGREE THAT THE PRODUCT AS REPRESENTED SATISFIES DESIGN AND DIMENSION REQUIREMENTS. I ALSO ACKNOWLEDGE MY DUTY TO CONFIRM PRODUCT AND INSTALLATION COMPLIANCE WITH ALL APPLICABLE FEDERAL, STATE AND LOCAL REGULATIONS AND STANDARDS.	
	ALL SPECIAL UNITS ARE NON-RETURNABLE [] As drawn [] As marked	
	Signed: _____	Date: _____
LEAD TIME WILL START UPON RECEIPT OF SIGNED APPROVAL DRAWING		

FOR INTERNAL USE ONLY PROJECT SIGN OFF	
SALES	
ENG.	
FAB.	
POWER	

DISTRIBUTOR'S NAME:		P.O.#
VESTIL MANUFACTURING		X
W.O.#		X
DRAWN BY:	ALH	DATE: 01/17/2012
REFERENCE:	X	SALES: X
QUOTED LEAD TIME:	X	SCALE: 1:6
QUOTE #	X	FILE NAME:
		33-007-050