



ALUMINUM DRYWALL ACCESS DOOR

Model KAD

For All Types of Construction



KARP ASSOCIATES, INC.
 260 Spagnoli Road Melville, NY 11747
 (631) 768-8300 - Phone
 (631) 768-8350 - Fax

DATE

SPECIFICATIONS

GENERAL SCOPE:

Access doors shall be Karp Type KAD as manufactured by Karp Associates, Inc., Melville, N.Y. Sizes shall be as indicated on the drawings.

CONSTRUCTION:

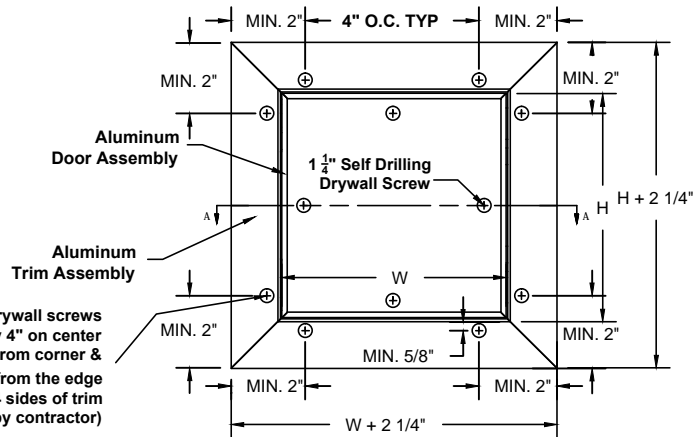
1. Trim assembly shall be 4-piece aluminum extrusion.
2. Door assembly shall be 4-piece aluminum extrusion with drywall installed.
3. Depth of the Frame shall be 0.75" and is designed for 5/8" drywall with 0.125" compound applied at installation.
4. Gasketing between door and frame shall be 0.6" wide by 0.125" thick continuous gasket.
5. Door drywall insert shall be 5/8" thick.
6. Latch shall be concealed mechanical touch-latch.
7. Hinge shall be free pivoting hinge.
8. Finish shall be unpainted mill-finish aluminum.
9. Door assembly can be completely removed for maximum clearance.
10. Safety cable must be installed to connect door and frame assembly.

STANDARD SIZES (Special sizes on request)

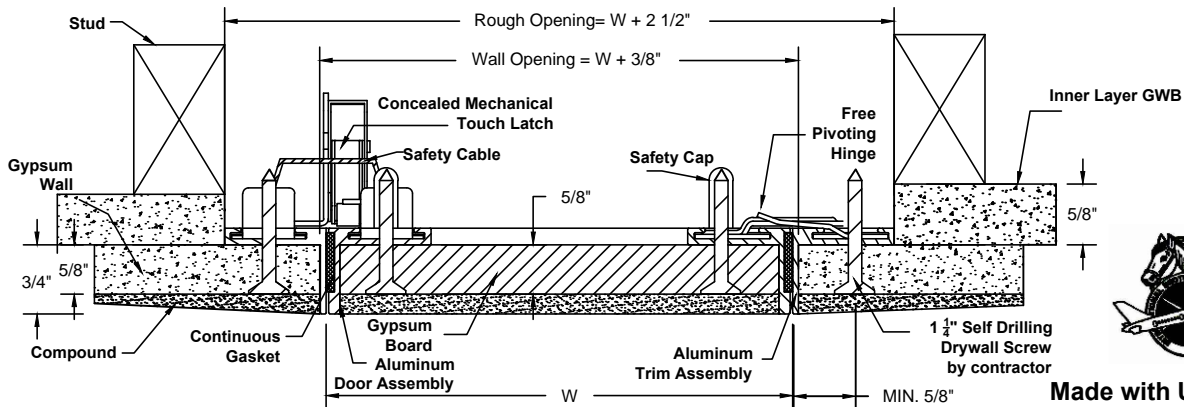
DOOR SIZE H X W (IN.)	WALL/CEILING OPENING (IN.)	NUMBER OF Latches	SHIP WT. (LBS.)
6 x 6	6 3/8 x 6 3/8	2	2.25
8 x 8	8 3/8 x 8 3/8	2	3.00
10 x 10	10 3/8 x 10 3/8	2	4.00
12 x 12	12 3/8 x 12 3/8	2	5.00
14 x 14	14 3/8 x 14 3/8	2	6.75
16 x 16	16 3/8 x 16 3/8	2	8.25
18 x 18	18 3/8 x 18 3/8	2	9.00
24 x 24	24 3/8 x 24 3/7	2	14.50
36 x 24	36 3/8 x 24 3/8	2	23.75

PROJECT DATA					
Project Name:					
Architect:					
Contractor:					
Agent/Customer Name:					
Tagging Instructions:					
Special Instructions:					

PROJECT SCHEDULE					
Qty.	H	W	No. of Latches	Finish	Remarks



Use 1 1/4" self drilling drywall screws approximately 4" on center and MIN. 2" from corner & MIN. 5/8" from the edge on all 4 sides of trim (supplied + installed by contractor)



SECTION A-A



Made with Union Labor