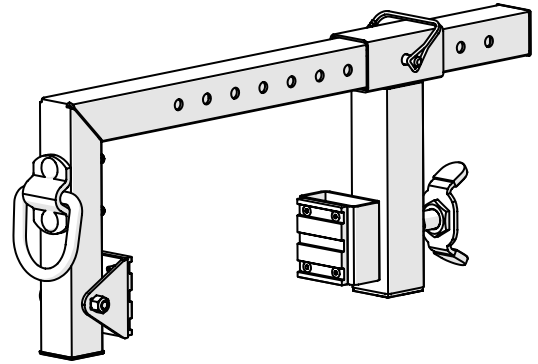


Parapet Anchor Instruction Manual

**Do not throw away these instructions!
Read and understand these instructions
before using this product.**



Use these instructions as part of a training program as required by OSHA and any applicable state agency. The user must understand how to safely use the Parapet Anchor and all safety equipment used in combination with the Parapet Roof Anchor device.

A competent person who is highly trained and experienced, assigned by the employer, must be responsible for all elements of a fall safety program, including the regulation, management, and application as it relates to the use of the Parapet Anchor and related components.

1/0 - APPLICATIONS:

1/1 PURPOSE: Tie Down's Parapet Wall Anchor is a portable anchorage connector designed for fall arrest applications and was developed to be used in locations where a low parapet wall provides an anchor site. Do not hang, lift or support tools or equipment from this device.

A. FALL ARREST: In this application, the parapet wall anchor is used as part of a complete fall arrest system. Such systems typically include a full body harness, and must include either a shock absorbing lanyard or self retracting lifeline. Maximum permissible free fall is 6 feet (1.8 m).

1/2 LIMITATIONS: The following application limitations must be recognized and considered before using this product:

A. ANCHORAGE: This anchorage connector system is intended to be installed on a parapet wall up to 16 inches (40.64 cm) thick and the wall must meet the anchorage strength requirements as set forth in section 2.4.

B. CAPACITY: This anchorage connector system is designed for use by persons with a combined weight (person, clothing, tools, etc.) of no more than 310 lbs. (141 kg). Only one personal protective system may be connected to the anchorage connector.

C. FREE FALL: Personal fall arrest systems must be rigged in such a way as to limit the free fall to a maximum of 6 feet (1.8 m) (Ref. ANSI Z359.1).

D. FALL CLEARANCE: Make certain that enough clearance exists in all potential fall paths to prevent striking an object. The amount of clearance needed is dependent upon the type of connecting subsystem used (ie. shock absorbing lanyard or self retracting lifeline), and the anchorage location. Refer to manufacturer's instructions of the connecting subsystem or component for more information on fall clearance.



On-line Manual

**MADE
IN THE
USA**

Instruction Sheet #08355
E1791, Rev. 8/17/20

TIE DOWN
MANUFACTURING INGENUITY

404-344-0000 • tiedown.com
605 Stonehill Drive SW, Atlanta, GA 30336
sales@tiedown.com

Parapet Anchor

E. CORROSION: Do not leave this equipment for long periods in environments where corrosion of metal parts could take place as a result of vapors rising into the atmosphere from organic materials. Caution should be exercised when working around sewage or fertilizer because of their high concentration of ammonia which is very corrosive. Use near sea water or other corrosive environments may require more frequent inspections or servicing to assure corrosion damage is not affecting the performance of the product.

F. CHEMICAL HAZARDS: Solutions containing acids, alkali, or other caustic chemicals, especially at elevated temperatures may cause damage to this equipment. When working with such chemicals, frequent inspection of this equipment must be performed.

G. HEAT: This equipment is not designed for use in high temperature environments. Protection should be provided for this equipment when used near welding, metal cutting, or similar activities.

1/3 APPLICABLE STANDARDS: Refer to national standards, including the ANSI Z359 (.0, .1, .2, .3, and .4) family of standards on fall protection, ANSI A10.32, and applicable local, state, and federal (OSHA) requirements governing occupational safety, for more information on fall arrest systems.

2/0 SYSTEM REQUIREMENTS

2/1 COMPATIBILITY OF CONNECTORS: Connectors are considered to be compatible with connecting elements when they have been designed to work together in such a way that their sizes and shapes do not cause their gate mechanisms to inadvertently open regardless of how they become oriented. Contact Tie Down if you have any questions about compatibility.

Connectors (hooks, carabiners, and D-rings) must be capable of supporting at least 5,000 lbs. (22.2 kN).

Connectors must be compatible with the anchorage or other system components. Do not use equipment that is not compatible. Non-compatible connectors may unintentionally disengage. See Figure 2. Connectors must be compatible in size, shape, and strength. Self locking snap hooks and carabiners are required by ANSI Z359.1 and OSHA.

2/1 MAKING CONNECTIONS: Only use self-locking snap hooks and carabiners with this equipment. Only use connectors that are suitable to each application. Ensure all connections are compatible in size, shape and strength. Do not use equipment that is not compatible. Ensure all connectors are fully closed and locked.

2/2 ANCHORAGE STRENGTH: Anchorages selected for personal fall arrest systems (PFAS) shall have a strength capable of sustaining static loads, applied in the directions permitted by the PFAS, of at least: (A) 3,600 lbs. (16 kN) when certification exists (Reference ANSI Z359.1 for certification definition), or (B) 5,000 lbs. (22.2 kN) in the absence of certification.

3/0 OPERATION AND USAGE:

3/1 BEFORE EACH USE of this equipment, carefully inspect it to assure that it is in serviceable condition. Check for worn or damaged parts; ensure all hardware is present and secure and is not distorted, or have any sharp edges, burrs, cracks, or corrosion. Refer to section 5.0 for further inspection details. Do not use this equipment if inspection reveals an unsafe condition.

3/2 PLAN your fall arrest system before starting work. Take into consideration factors that affect your safety at any time during use. The following list gives some important points to consider when planning your system:

A. ANCHORAGE: Select an anchorage point that is rigid and capable of supporting the required loads. See section 2.4.

B. FREE FALL: Personal fall arrest systems must be rigged to limit any free fall to a maximum of 6 feet (1.8 m) (Federal Law and ANSI Z359.1). Avoid working above your anchorage level since an increased free fall distance will result. Consult Tie Down for maximum free fall distances for applications other than fall arrest.

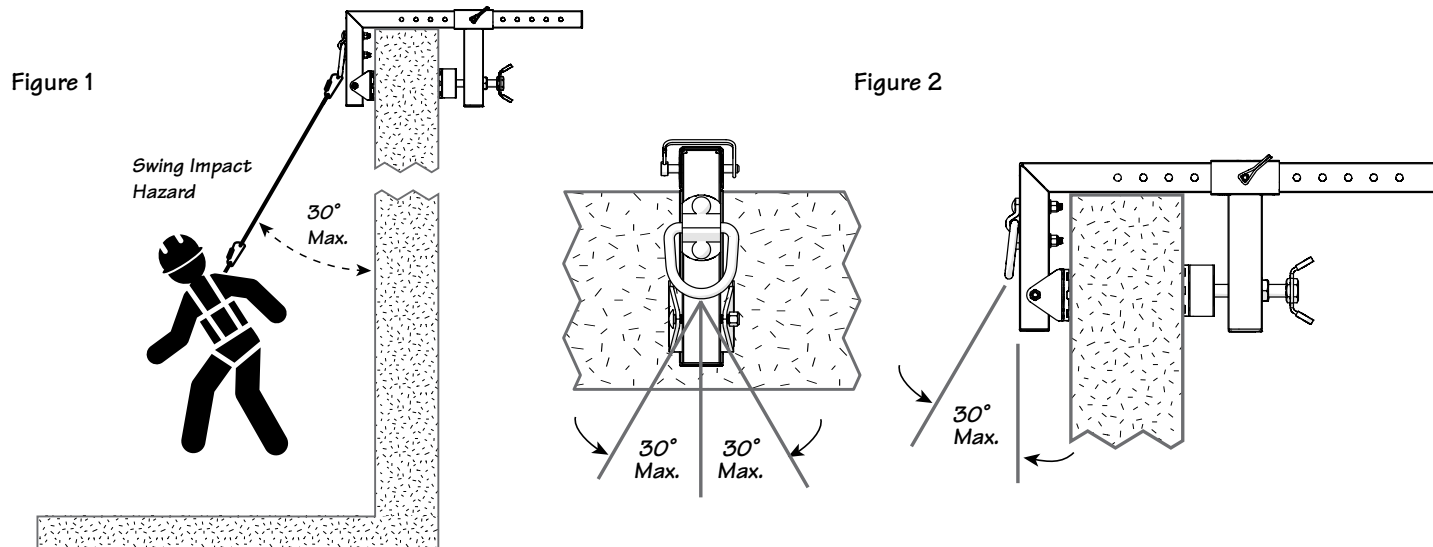
C. SYSTEM PERFORMANCE: The parapet wall anchor must be used in combination with either a shock absorbing lanyard or a self retracting lifeline that will limit the maximum fall arrest forces to 1800 lbs.

D. FALL CLEARANCE: Should a fall occur, there must be sufficient clearance in the fall area to arrest the fall before striking the ground or other object. The actual clearance required is dependent upon the type of fall arrester connecting subsystem used (shock absorbing lanyard or self retracting lifeline). Energy Absorbing Lanyards can extend the fall arrest distance by up to 42 inches (1.07 m).

If you need have damaged or missing parts, call the Customer Service: 404-344-0000

Parapet Anchor

E. SWING FALLS: Swing falls occur when the anchorage point is not directly above the point where a fall occurs. See Figure 1. The force of striking an object while swinging can be great and may cause serious injury. Swing falls can be minimized by working as directly below the anchorage as possible. Do not work at more than a 30 degree angle from vertical below the parapet wall anchor, working beyond this range could create a swing fall situation. See Figure 2.



F. SHARP EDGES: Avoid working where the connecting subsystem (ie. shock absorbing lanyard, self retracting lifeline, full body harness, etc.) or other system components will be in contact with, or abrade against, unprotected sharp edges. If working with this equipment near sharp edges is unavoidable, protection against cutting must be provided by using a heavy pad or other means over the exposed sharp edge.

G. RESCUE: Should a fall occur, the user (employer) must have a rescue plan and the means at hand to implement it.

H. AFTER A FALL: Any equipment which has been subjected to the forces of arresting a fall must be removed from service immediately and destroyed or sent to a factory authorized service center for repair.

I. ABUSE: Avoid dropping the parapet wall anchor from a height or allowing it to strike against a structure which could damage it.

J. FOREIGN ELEMENTS: Avoid contaminating the equipment with paints, cement or other materials which could adversely effect the performance of the product.

3/3 INSTALLATION REQUIREMENTS:

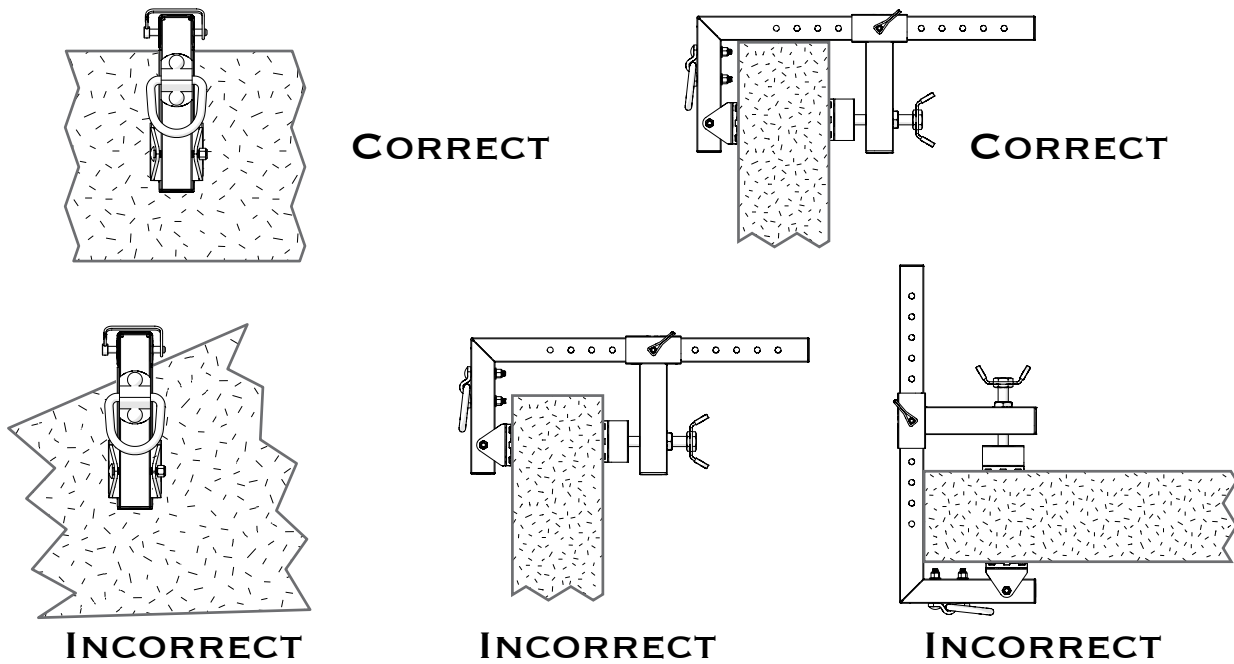
A. SUPERVISION: It is recommended that this equipment is installed under the supervision of a qualified person as defined by OSHA 1910.66 Appendix C.

B. ANCHORAGE CONNECTOR LOCATION: Select an anchorage with suitable anchorage strength requirements which will provide the best overall safety to the user. The following are some considerations that must be made when choosing an anchorage location: the wall on which the Parapet Wall Anchors is to be installed may be a maximum of 16 inches (40.64 cm) thick and must meet the strength requirements specified in section 2/2, the location must be safely accessible when connecting to or disconnecting from the anchor, swing falls should not be permitted if injury could occur should the user fall, the location must be free of other equipment or moving parts, there must be adequate total fall clearance, and there must be a rescue means. The anchorage must allow the parapet wall anchor to hang in a vertical orientation. Do not install the parapet wall anchor on an incline, at an angle, or upside-down. See Figure 3.

If you need have damaged or missing parts, call the Customer Service: 404-344-0000

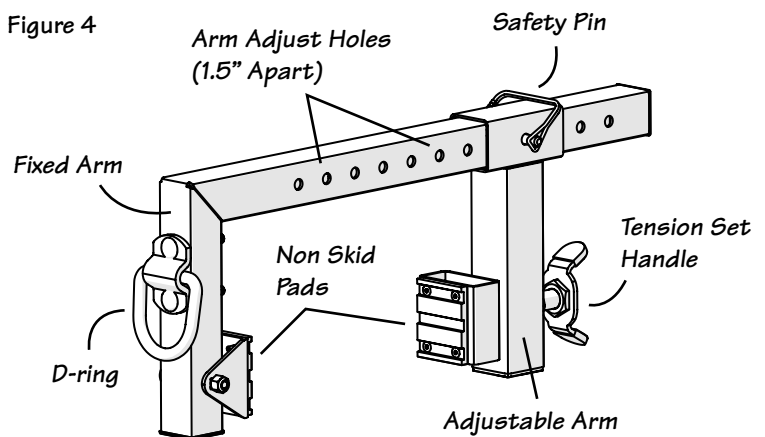
Parapet Anchor

Figure 3



C. INSTALLATION: (See Figure 4 for referenced parts). Unscrew the Tension Set Handle. Remove the safety pin and move the adjustable arm back far enough to allow the clamp to fit over the parapet wall. Make sure the top surface within the anchor slot is fully seated on the parapet wall. Slide the adjustable arm toward the parapet wall and reinsert the safety pin through the appropriate arm adjust holes. Tighten the Tension Set Handle until it makes contact with the parapet wall. Hand tighten until snug. Excessive torque can damage the parapet wall or the parapet wall anchor.

Figure 4



3/4 MAKING CONNECTIONS: When connecting to the parapet wall anchor self-locking snap hooks or self-locking and self-closing gate carabiners must be used to reduce the possibility of roll-out. Do not use hooks or connectors that will not completely close over the attachment object. Do not use non-locking snap hooks. Always follow the manufacturer's instructions supplied with each system component. **WARNING: Read and follow manufacturer's instructions for associated equipment (example: full body harness, shock absorbing lanyard, self retracting lifeline, etc.) used in your personal fall arrest system.**

3/5 CONNECTING TO THE PARAPET ANCHOR: The parapet wall anchor is an anchorage connector for a shock absorbing lanyard or a self retracting lifeline. Make sure the connector (ie. self-locking snap hook of lanyard) is fully engaged and locked onto the back D-ring (dorsal) of the body support. Make sure connections are compatible (size, shape, strength, etc.).

If connecting a shock absorbing lanyard to the parapet wall anchor, follow the above instructions to connect one end of lanyard (shock absorber pack end) to body support and connect the other end to the parapet wall anchor making sure the self-locking snap hook is fully engaged and locked onto the D-ring.

Parapet Anchor

If using a self retracting lifeline, it must be connected to the D-ring with a self-locking and self-closing carabiners (attach the carabiners to the anchorage location on SRL), the self retracting lifeline must hang vertically. Then connect the lifeline end of the SRL to the body support (harness). Make sure the connector (ie. self-locking snap hook, carabiner) is fully engaged and locked onto the anchorage connector, SRL and body support. Make sure connections are compatible (size, shape, strength, etc.). If installing a horizontal lifeline, follow the manufacturer's instructions for installation and use provided with the horizontal lifeline system.

TRAINING

It is the responsibility of the user and the purchaser of this equipment to assure they are familiar with these instructions, trained in the correct care and use of, and are aware of the operating characteristics, application limits and the consequences of improper use of this equipment.

IMPORTANT: Training must be conducted without exposing the trainee to a fall hazard. Training should be repeated on a periodic basis.

4/0 INSPECTION

- 1 Inspect the parapet wall anchor for physical damage. Look carefully for any signs of cracks, dents or deformities in the metal.
- 2 Inspect the parapet wall anchor for signs of excessive corrosion.
- 3 Ensure that the working parts are free from excessive dirt, oil, or other build-up.
- 4 Inspect the D-ring, fixed arm, and non skid pads. The D-ring must be free of cracks, dents or deformities in the metal. The fixed arm and tension set handle must be undamaged.
- 5 Inspect the points of the adjustment holes. The non skid pads must not be broken and must "bite" into the parapet wall.
- 6 Inspect the safety pin to ensure that it inserts fully through the adjustment setting holes of the adjustable arm.
- 7 Inspect labels, all labels should be present and fully legible. See section 5. Labels must be replaced if illegible or missing.
- 8 Inspect each system component or subsystem per associated manufacturer's instructions.
- 9 Record the inspection date and results in the inspection log. See inspection chart on the last page.

IMPORTANT:

Extreme working conditions (harsh environments, prolong use, etc.) may require increasing the frequency of inspections.

If this equipment has been subjected to forces resulting from the arrest of a fall, it must be immediately removed from service and destroyed or returned to Tie Down for possible repair.

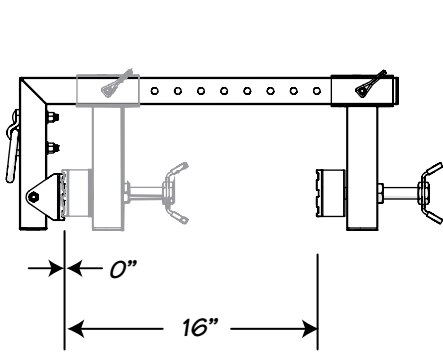
Parapet Anchor

5/0 SPECIFICATIONS:

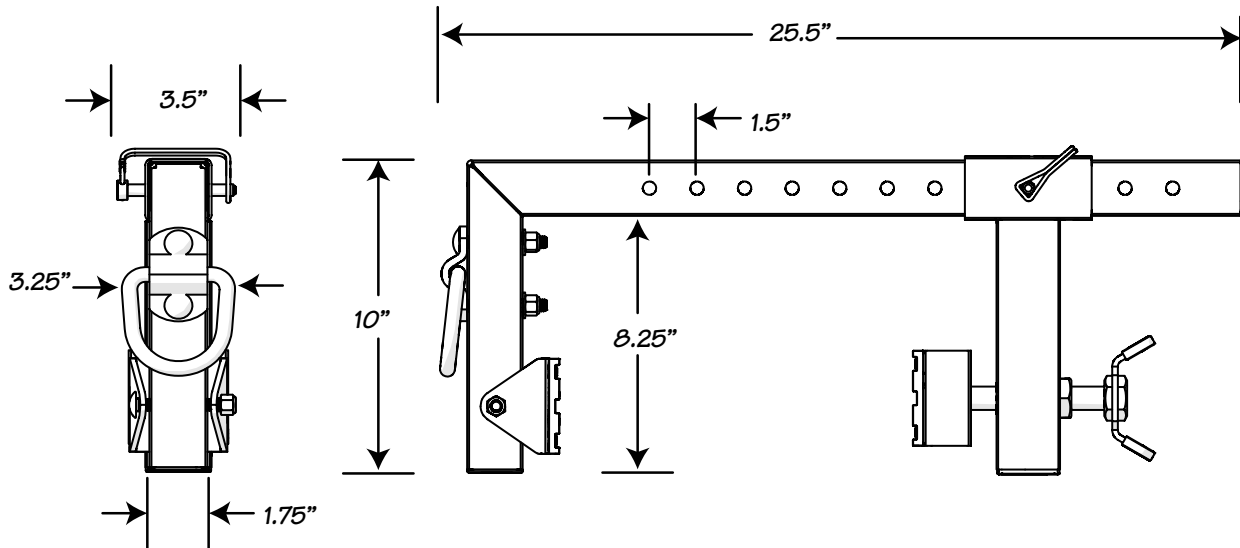
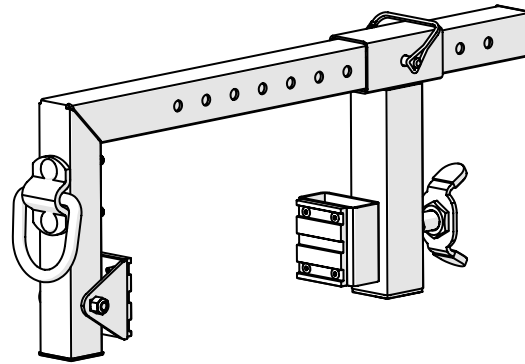
5/1 Materials:

- Material: Zinc Plated Steel
- Minimum Breaking Strength: 5,000 lbs.
- Maximum Capacity: 310 lbs. (one person)
- Weight: 13 lbs.
- Parapet Wall Thickness: Up to 16 inches

5/2 Dimensions :



Adjustable for Parapet Walls



Parapet Anchor

6/0 LABELS:

6/1 The labels shown below must be present and fully legible.
If the labels are damaged or unreadable contact Tie Down for replacement

TIE DOWN

S A F E T Y

www.tiedown.com
404-344-0000
Made in the USA

Parapet Anchor
Model #65077
Material: Steel
Min. Break Strength: 5,000 lbs.
Max. Capacity 310 lbs.
Compliance: OSHA 1926.502

Parapet Anchor Install and Use:
Install the anchor over the parapet of a wall capable of supporting loads the anchor will be subjected to in normal use. See the user instruction manual for installation and use instructions. This anchor may be used as part of a horizontal lifeline (HLL) system. HLL load direction must be perpendicular to the run of the parapets upon which the anchors must not exceed 2,500 lbs. See the Parapet Anchor and HLL user instructions for complete installation requirements.
This product is not user repairable.

SAFETY LINE CONNECTION

SAFE WORK ZONE
30° Max. From Center Line

#15837

DO NOT REMOVE THIS LABEL

TIE DOWN

S A F E T Y

www.tiedown.com
404-344-0000
Made in the USA

WARNING

WARNING: User must read and follow instructions supplied with this product at the time of shipment. Failure to do so may result in serious injury or death. Avoid contact with sharp edges and abrasive surfaces. Make only compatible connections. See instructions for restrictions on use with components, subsystems, or systems which this product is designed to be used. See instructions for inspection procedures. Take action to avoid thermal, electrical and chemical hazards.

User must inspect prior to each use. Competent Person must complete formal inspection every 6 months. Competent Person to inspect and initial.

Date of First Use: _____ Product life time is unlimited as long as it passes pre-use and Competent Person inspections.

Year																				
J																				
F																				
M																				
A																				
M																				
J																				
J																				
J																				
A																				
S																				
O																				
N																				
D																				

#15838

DO NOT REMOVE THIS LABEL

DECLARATION OF CONFORMITY

Declaration Date: 06.15.2020
 Internal Reference Document: ITR-65077_R0
 Rev. 0

DECLARATION NO.	ETR-65077_R0
PART NUMBER:	65077
PART DESCRIPTION:	Parapet Fall Arrest Anchor
TEST SPECIFICATIONS:	OSHA 1910 & OSHA 1926 <ul style="list-style-type: none"> Static pull test to minimum 5000 lbs.
ADDITIONAL INFORMATION REGARDING THIS DOCUMENT OR STANDARD(S) EVALUATED:	<ul style="list-style-type: none"> Test performed on a mock parapet structure roughly 12'-15" wide. Test sample mounted in such that it replicates worst-case loading on D-ring.

TIE DOWN ENGINEERING DECLARES THAT THE PRODUCT(S) LISTED ABOVE IS IN CONFORMITY WITH THE REQUIREMENTS OF THE FOLLOWING PERFORMANCE STANDARDS.

STANDARD(S):	<ul style="list-style-type: none"> OSHA 1926 Fall Protection Criteria OSHA 1910.140(C)
--------------	--

AUTHORIZED BY:

NAME	TITLE	DATE
WILSON HA	ENGINEER	2020-15-06
TRAVIS TURNER	ENGINEERING MANAGER	2020-15-06

This Certificate is a guarantee that the above standard(s) was met by the requirements of such standard. Testing was performed under normal operation mode. The results of testing apply only to the particular sample tested and to the specific test carried out. This Certificate is only issued for products which have passed the testing requirements of listed standard(s).

Tie Down Engineering, Inc.
 605 Stonehill Drive, SW
 Atlanta, GA 30336

404-344-0000
 contact@tiedown.com
 www.tiedown.com

Tie Down Engineering, Inc.
 605 Stonehill Drive, SW
 Atlanta, GA 30336

404-344-0000
 contact@tiedown.com
 www.tiedown.com

Test Report	
Test Operator(s):	Wilson Ha, Travis Turner
Test Date:	6/15/2020
Part Number:	65077
Part Revision:	0
Internal Test Report:	ITR-65077_R0
Third Party (if applicable):	
Test Summary	
Test Specification	Test Criteria
OSHA 1910.140(C)	1910.140(c)(12) <ul style="list-style-type: none"> Anchorage used to attach to personal fall protection equipment must be independent of any anchorage used to suspend employees or platforms on which employees work. Anchorages used to attach to personal fall protection equipment on mobile work platforms on powered industrial trucks must be attached to an overhead member of the platform, at a point located above and near the center of the platform. 1910.140(c)(13) <ul style="list-style-type: none"> Anchorage, except window cleaners' belt anchors covered by paragraph (e) of this section, must be: <ul style="list-style-type: none"> 1910.140(c)(13)(i) Capable of supporting at least 5,000 pounds (22.2 kN) for each employee attached;
	PASS

Conclusion:

The device was able to withstand a 5000 lb. tensile load test per the OSHA standard. This device can be used as an anchorage for **1 worker in fall arrest**.