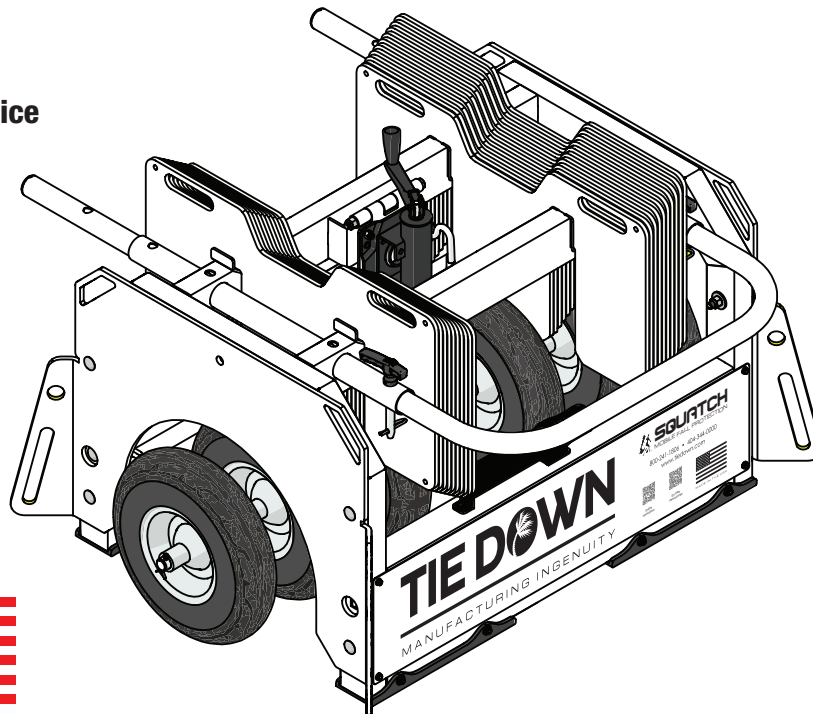




SAFETY & OPERATIONS MANUAL

Do not throw away these instructions!
Read and understand these instructions before using this product.

**Squatch Fall
Protection Device**
Model 61010



US Patent: 11,826,589



Online
Manual




En línea
Instrucciones



⚠️ WARNING ⚠️

Serious injury or death may occur if this equipment is used for purposes other than intended. Tie Down provides the following instructions for the use and care of this equipment. It is the responsibility of the user to understand and convey proper instruction to any and all individuals who use this product for Fall Arrest.

The Squatch complies with the new OSHA Rule in affect: Walking-Working Surfaces, #1910.28, please comply with this as well as all Local, State and Federal OSHA rules. The Squatch is compliant with OSHA Fall Protection Regulation 1926.502

 **WARNING:** This product can expose you to chemicals including Nickel, which is known to the State of California to cause cancer. For more information go to: www.P65Warnings.ca.gov

Instruction #08382 (E1846 - Rev. 3/27/24)



404-344-0000 • www.tiedown.com
605 Stonehill Drive SW, Atlanta, GA 30336
sales@tiedown.com

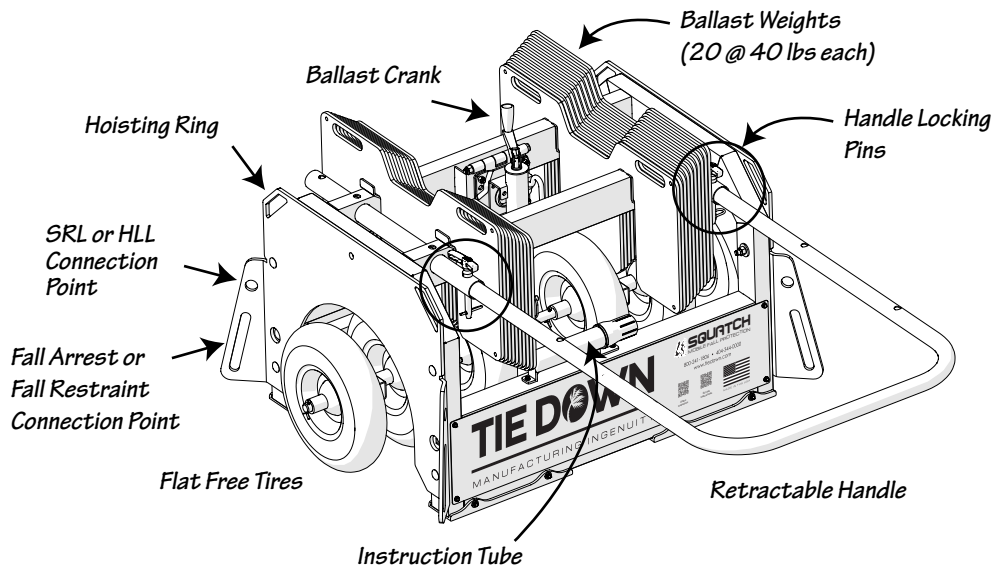


The Squatch can be used on all surfaces concrete, EPDM, TPO, Built-Up, etc...

**SQUATCH Cart
Model 61010**

US Patent: 11,826,589

- Good for two workers in arrest and two in restraint
- Non penetrating design
- Jack feature makes mobility very easy
- Includes rigging rings for lifting
- Anti-slip design feature
- Premium flat free tires
- Used with Tie Down HLL System.

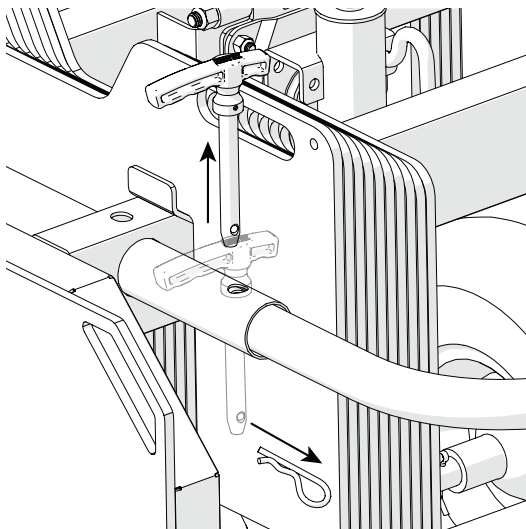
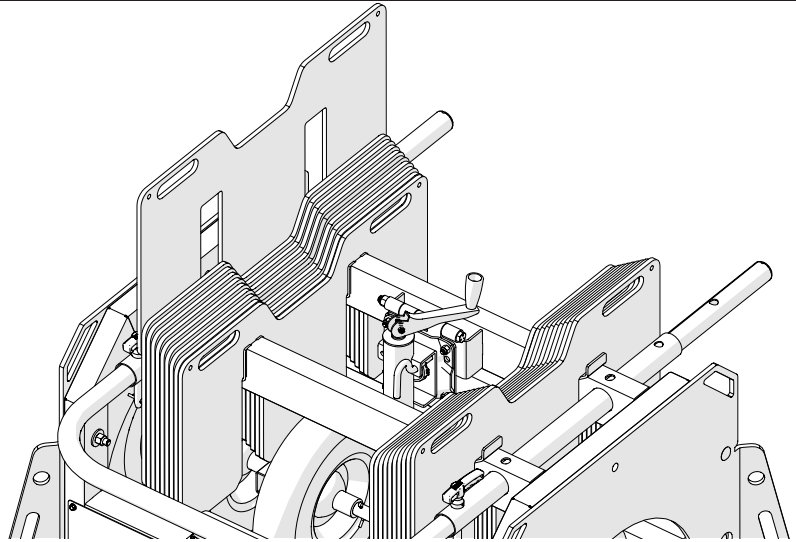


Squatch Set UP	3
Applications	4-5
Placement of the Squatch - Fall Arrest/Restraint	6
Squatch - HLL	7
Horizontal Life Line Set Up	8-12
Placement of the Squatch for HLL	13
Proper Set Up	14
Before Using the Squatch	15
General Safety Precautions	16
Warning and Safety Labels	17
DOC	18-19
Squatch Inspection Check List	20

Squatch Set Up

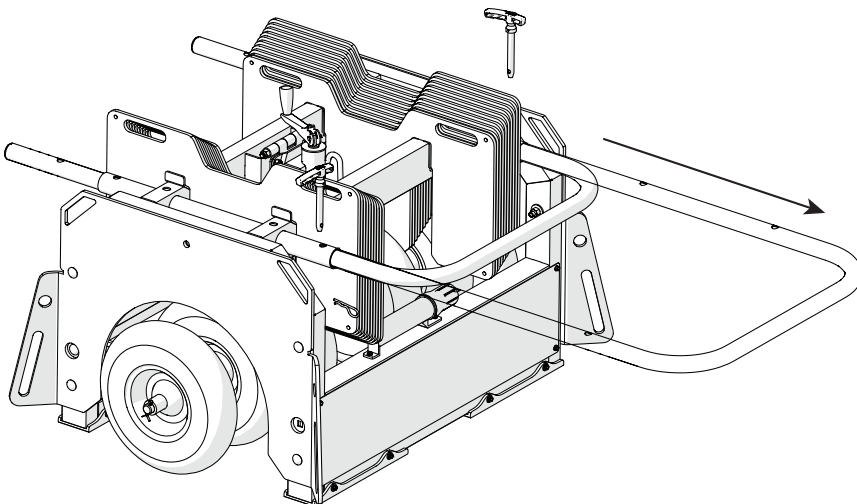
Ballast Weights

Your Squatch Mobile Fall Protection cart should have all 20 ballast weights installed in position (10 per side)
Do not operate the Squatch with less than 20 weights. If any of the weights are missing contact Tie Down Customer Service for replacements.



Extending the Squatch Handle

Remove the safety pins from the two handle lock pins located on the top of the U shaped handle.



Pull the U shaped handle outward stopping when the last set of mounting holes is visible through the outer handle tube.

Align the handle lock pins with the mounting holes on the handle. Insert the pins and secure with the safety pins through the end of the handle lock pins.

Applications: Surfaces

Recommended Surfaces:

- ✓ Concrete
- ✓ Modified Bitumen Membranes
- ✓ Built-up Roofing (BUR) Membrane
- ✓ Thermoplastic Polyolefin (TPO) Membranes
- ✓ EPDM Roofing Membranes
- ✓ Ballasted EPDM Membrane
- ✓ Flat Surfaces to slopes up to 1:12.
- ✓ Soil (CLASS A SLOPE ONLY)
- ✓ Asphalt (CLASS A SLOPE ONLY)

Do Not Use on the Following Surfaces:

- ✗ Metal Deck less than 22 ga.
Or over 20 ga. (Structural Deck)
- ✗ Loose laid material not part of a complete finished system.
- ✗ Ice
- ✗ Snow
- ✗ Tectum Deck
- ✗ Gypsum Deck
- ✗ Modified PVC Membranes
- ✗ Polyisocyanurate (ISO)
- ✗ Expanded Polystyrene (EPS)
- ✗ Hardboard
- ✗ Dens Deck

Roofing Load Requirements

Before the Squatch is hoisted to any roofing deck the user MUST VERIFY THAT THE DECK CAN ACCOMMODATE THE LOAD REQUIREMENTS OF THE FULL DEVICE - 1,200 LBS. MIN.

Verify that the surface that the Squatch will be used on is capable of supporting both the unit and personnel using it. Inspect that the entire area to determine if the working surfaces have the strength and to support users safely.

IMPORTANT: DO NOT start work for which fall protection is required until the Squatch and corresponding safety equipment have been completely installed. Do NOT disable any part of the PFAS, including the Squatch unit, or reposition the unit, until work for which fall protection is required has ceased.

Hoisting Safety Precautions

- Loads may slip, if the Squatch is not hoisted properly, this could result in injury or death.
- Do not use with damaged slings or chains.
- Utilize appropriate rigging gear for overhead lifting.
- Utilize rigging gear within the industry standards and the manufacturer's recommendations.
- Conduct regular inspection and maintenance of the rigging gear.
- DO NOT hook to the fall arrest or fall restrain safety line connectors when lifting the cart.

Applications

Fall Restraint System – A fall restraint system (FRS) prevents the user from falling. The system is comprised of a body harness along with an anchorage, connectors and other equipment. The components typically include a lanyard and also may include a lifeline and other devices. **When set up properly the Squatch allows for four workers in fall restraint.**

Personal Fall Arrest System – A personal fall arrest system (PFAS) arrests a fall after a fall incident has occurred. The system is comprised of an anchor point, connecting device, body harness, connectors, and a body harness and must include a deceleration system, or suitable combinations. Note that a PFAS does NOT prevent a fall from occurring. **When set up properly the Squatch allows for a max. of two workers in fall arrest.**

Note:

- A single worker must maintain 8 ft. min distance from the leading edge
- Two workers must maintain 10 ft. min distance from the leading edge

Possible Worker Configurations:

- 0 workers in Fall Restraint with 2 workers in Fall Arrest
- 1 worker in Fall Restraint with 2 workers in Fall Arrest
- 2 workers in Fall Restraint with 2 workers in Fall Arrest
- 3 workers in Fall Restraint with 1 worker in Fall Arrest
- 4 workers in Fall Restraint with 0 workers in Fall Arrest

A Personal Fall Arrest System must meet the following OSHA requirements:

- Limit maximum arresting force on an employee to 1,800 pounds when used with a body harness;
- Be rigged (lifeline plus deceleration device) so that an employee can neither free-fall more than 6 feet (1.8 meters) nor contact any lower level;
- Bring an employee to a complete stop and limit maximum deceleration distance an employee travels to OSHA 3.5 feet (1.07 meters); and 4 ft. per ANSI Z359.
- Have sufficient strength to withstand twice the potential impact energy of an employee free-falling a distance of 6 feet (1.8 meters) or the free-fall distance permitted by the system, whichever is less.

Squatch in Use - Flat Surfaces to slopes up to 1:12.

Placement/Repositioning of the Squatch (Fall Arrest and Restraint)

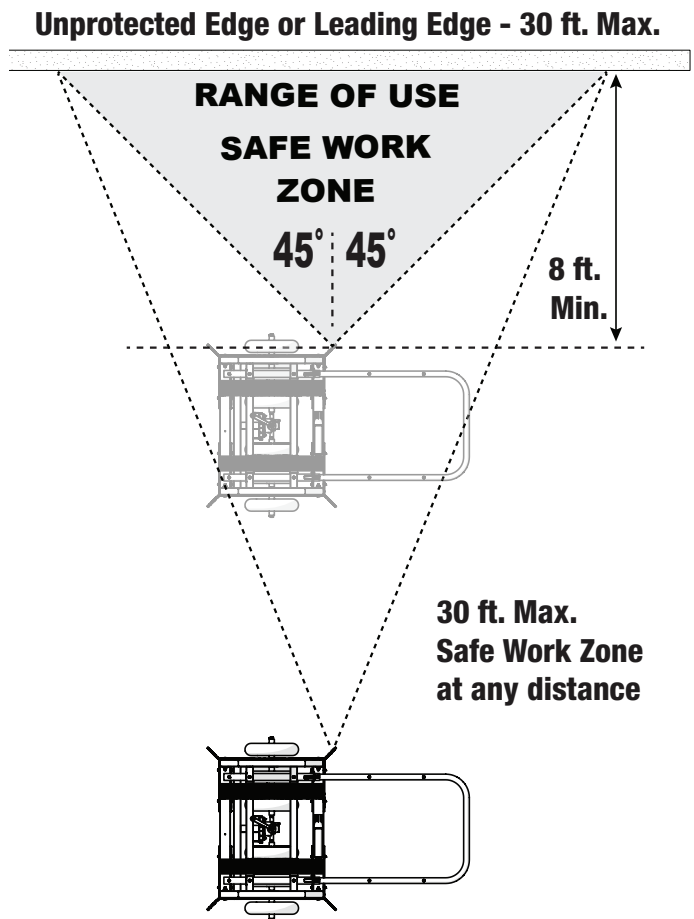
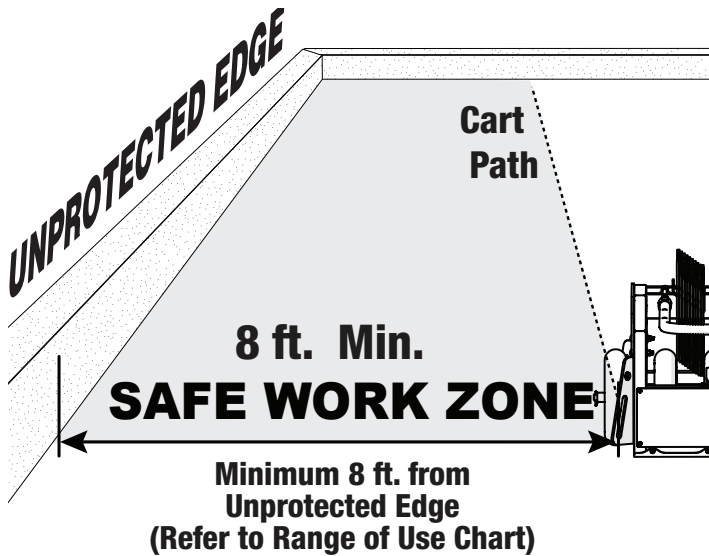
Prior to Positioning the Squatch:

Verify that the surface is capable of supporting the Squatch, ballast weights, cart, and all personnel using it.

Position the Squatch such that it is no closer than:

- 8 ft. min distance from the leading edge in Fall Arrest for a single worker
- 10 ft. min distance from the leading edge in Fall Arrest for two workers

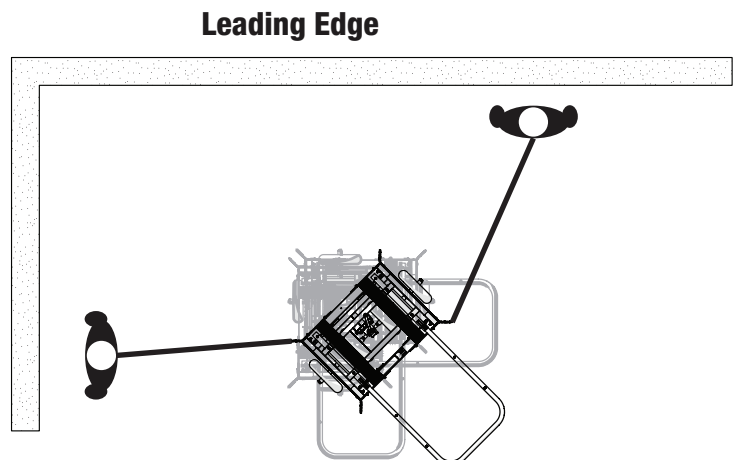
WHEN REPOSITIONING THE SQUATCH, ABSOLUTELY NO USERS ARE TO BE ATTACHED TO THE SQUATCH.



Range of Use Chart

Distance to Leading Edge	Maximum Range of Use
8 ft.	16 ft.
9 ft.	18 ft.
10 ft.	20 ft.
11 ft.	22 ft.
12 ft.	24 ft.
13 ft.	26 ft.
14 ft.	28 ft.
15 ft.	30 ft.

After 15 ft. Max. Range No Greater than 30 ft.



Applications

Horizontal Life Line System - Pre-engineered, Manufactured Systems

A horizontal lifeline system used for fall arrest that is a pre-engineered, manufactured system can be used if it is installed as per manufacturer's specifications. The system should comply with CSA standard Z259.13-04 Horizontal Lifeline System. Written certification from the manufacturer of a designate of the manufacturer, that the horizontal lifeline system has been installed in accordance with the design documents is recommended.

Horizontal Life Line System - Not Certified by a Professional Engineer

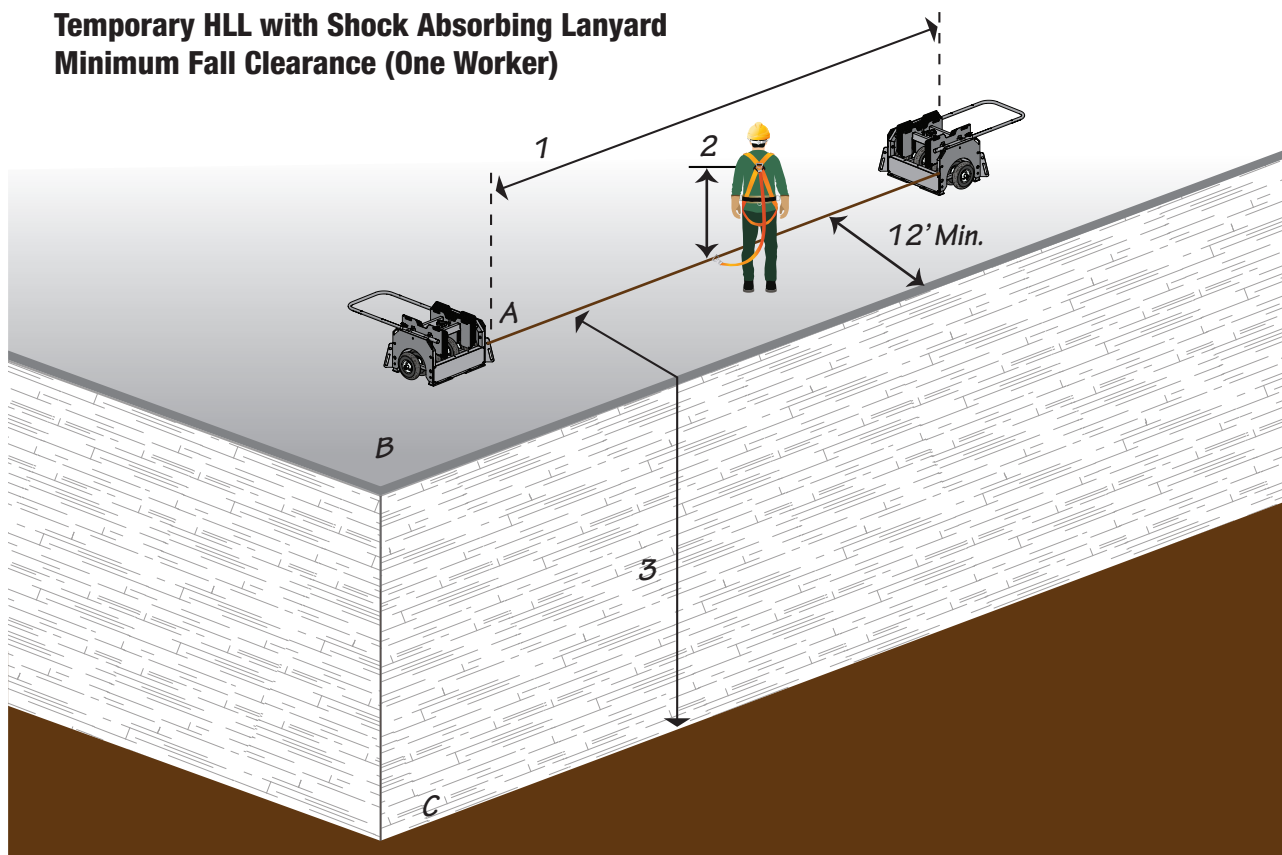
If a horizontal lifeline system used for fall arrest is not certified by a professional engineer or a pre-engineered, manufactured system, it must meet the following requirements:

- When using the horizontal lifeline system, a full body harness that complies with CSA Standard Z259.10-M90, "Full Body Harness" must be worn.
- When using the horizontal lifeline system, a shock absorber that complies with CSA Standard Z259.11-M92, "Shock Absorbers for Personal Fall Arrest Systems" must be used.
- The wire rope must have a diameter of a minimum of 1/2 in. (12 mm) with a breaking strength, specified by the manufacturer, of at least 20,000 lbs. (89 kN). The fasteners reduce the strength of the wire rope by 25%, therefore the strength requirement for the wire rope is greater than that of the other components of the fall-arrest system.
- Connecting hardware such as shackles and turnbuckles must have an ultimate load capacity of at least 16,000 lbs. (71 kN).
- End anchors must have an ultimate load capacity of at least 16,000 lbs. (71 kN).
It is not possible to tell the load capacity of an anchor just by looking at it, therefore the employer must provide proof (an engineer's certificate) that the end anchor is capable of supporting the load capacity indicated above.
- The horizontal lifeline must be free of splices except at the termination.
- The span must be at least 20 ft. (6 m) and not more than 85 ft. (25 m). If the length of horizontal lifeline needed for a job exceeds 85 ft. (25 m), a second system with its own independent anchors must be installed or a multi-span system must be designed by an engineer and meet the requirements for the "systems certified by a professional engineer".
- The horizontal lifeline must have an unloaded sag no greater than one in 85. (E.g. one foot in a 85-foot span) The greater the sag, the greater the force on the worker when a fall occurs. This increases the likelihood of injury to the worker. Therefore it is very important not to exceed this sag.
- The elevation of the horizontal lifeline at any point must be a minimum of 39 in (1 m) above the working surface.
- The free fall distance must be limited to 4 ft. (1.2 m).
- A minimum of 18 ft. (5.5 m) of unobstructed clearance must be available below the working surface.
- No more than 3 workers may be secured to the horizontal lifeline.
- The horizontal lifeline must be positioned so it does not impede the safe movement of workers.

Squatch in Use - Flat Surfaces to slopes up to 1:12.

Horizontal Life Line Set Up

Temporary HLL with Shock Absorbing Lanyard Minimum Fall Clearance (One Worker)

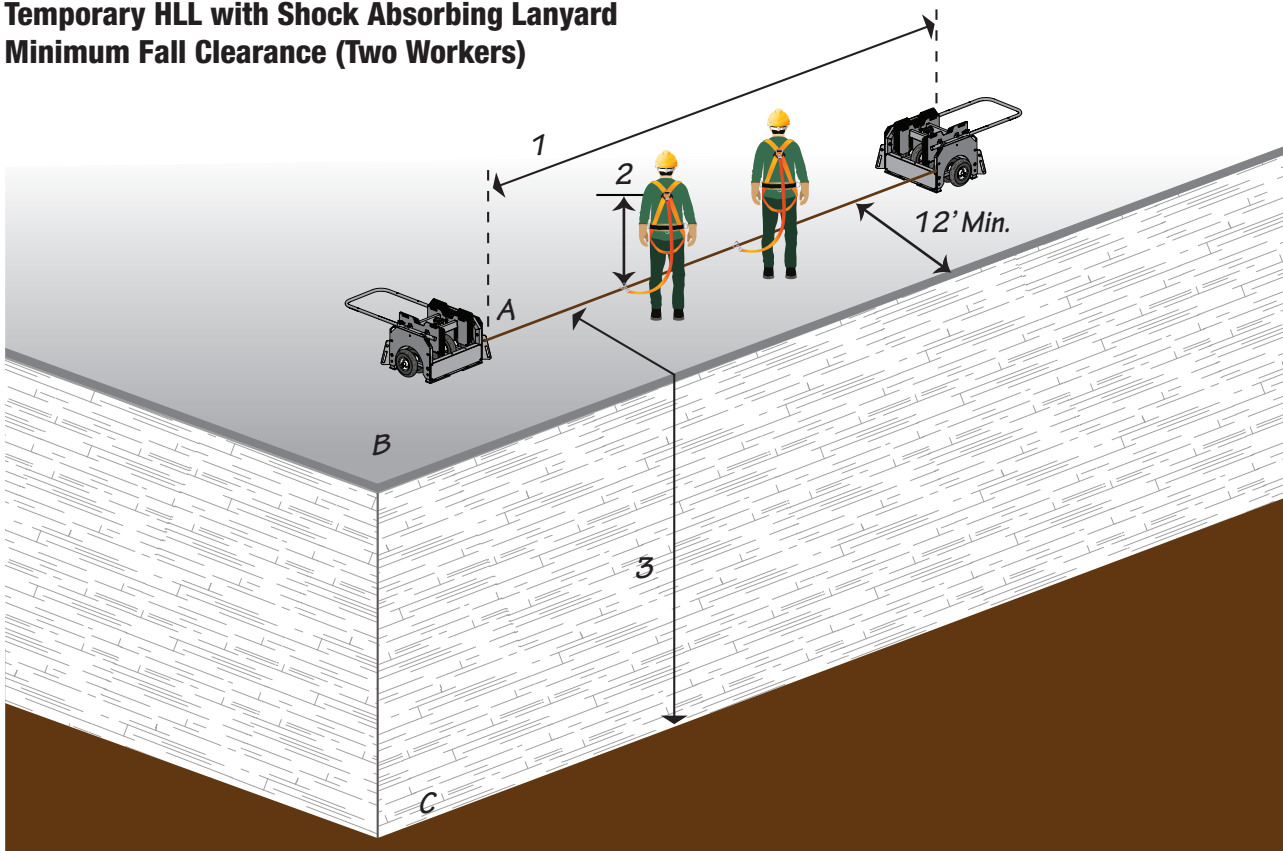


Temporary HLL with EAL Minimum Required Fall Clearance	
310 lbs. Maximum User Capacity Each	Max. One Worker
1	Find Span Length in Table Below
2	Find Freefall Distance in Table Below
3	Required Fall Clearance at the intersection of Span Length and Freefall Distance (see table below)
A - Anchorage Point B - Walking/Working Surface C - Nearest Lower Level or Obstruction	
* Work below the HLL to avoid Swing Fall	

Span Length	Freefall Distance				
	2'	3'	4'	5'	6'
0 - 30'	17.0'	18.0'	19.0'	20.0'	21.0'
31' - 40'	18.0'	19.0'	20.0'	21.0'	22.0'
41' - 50'	19.0'	20.0'	21.0'	22.0'	23.0'
51' - 60'	19.5'	20.5'	21.5'	22.5'	23.5'
61' - 70'	21.0'	22.0'	23.0'	24.0'	25.0'
71' - 80'	22.0'	23.0'	24.0'	25.0'	26.0'
81' - 90'	24.5'	25.5'	26.5'	27.5'	28.5'
91' - 100'	25.5'	26.5'	27.5'	28.5'	29.5'

Horizontal Life Line Set Up

Temporary HLL with Shock Absorbing Lanyard Minimum Fall Clearance (Two Workers)

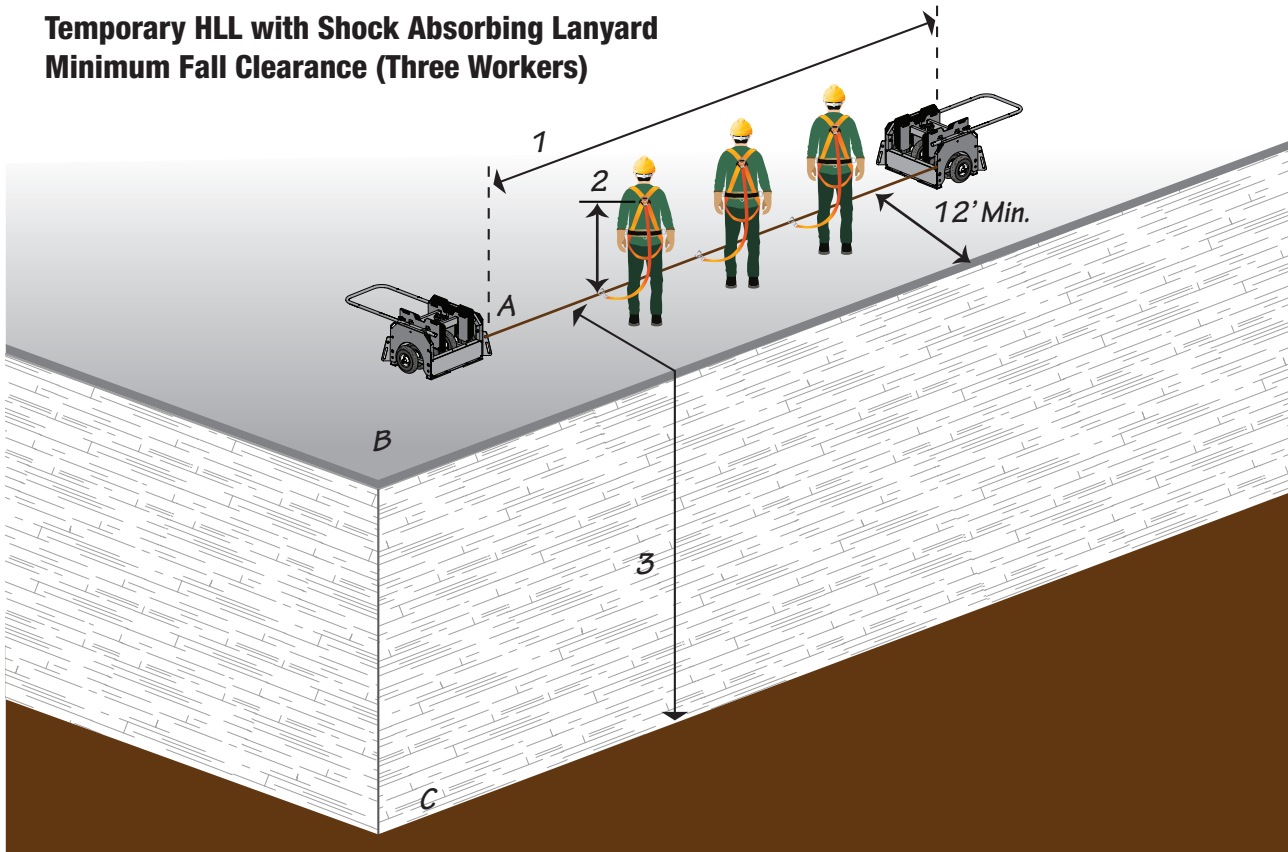


Temporary HLL with EAL Minimum Required Fall Clearance	
310 lbs. Maximum User Capacity Each	Max. Two Workers
1	Find Span Length in Table Below
2	Find Freefall Distance in Table Below
3	Required Fall Clearance at the intersection of Span Length and Freefall Distance (see table below)
A - Anchorage Point B - Walking/Working Surface C - Nearest Lower Level or Obstruction	
* Work below the HLL to avoid Swing Fall	

Span Length	Freefall Distance				
	2'	3'	4'	5'	6'
0 - 30'	18.0'	19.0'	20.0'	21.0'	22.0'
31' - 40'	19.5'	20.5'	21.5'	22.5'	23.5'
41' - 50'	21.0'	22.0'	23.0'	24.0'	25.0'
51' - 60'	22.5'	23.5'	24.5'	25.5'	26.5'
61' - 70'	24.0'	25.0'	26.0'	27.0'	28.0'
71' - 80'	26.0'	27.0'	28.0'	29.0'	30.0'
81' - 90'	27.0'	28.0'	29.0'	30.0'	31.0'
91' - 100'	29.0'	30.0'	31.0'	32.0'	33.0'

Horizontal Life Line Set Up

Temporary HLL with Shock Absorbing Lanyard Minimum Fall Clearance (Three Workers)

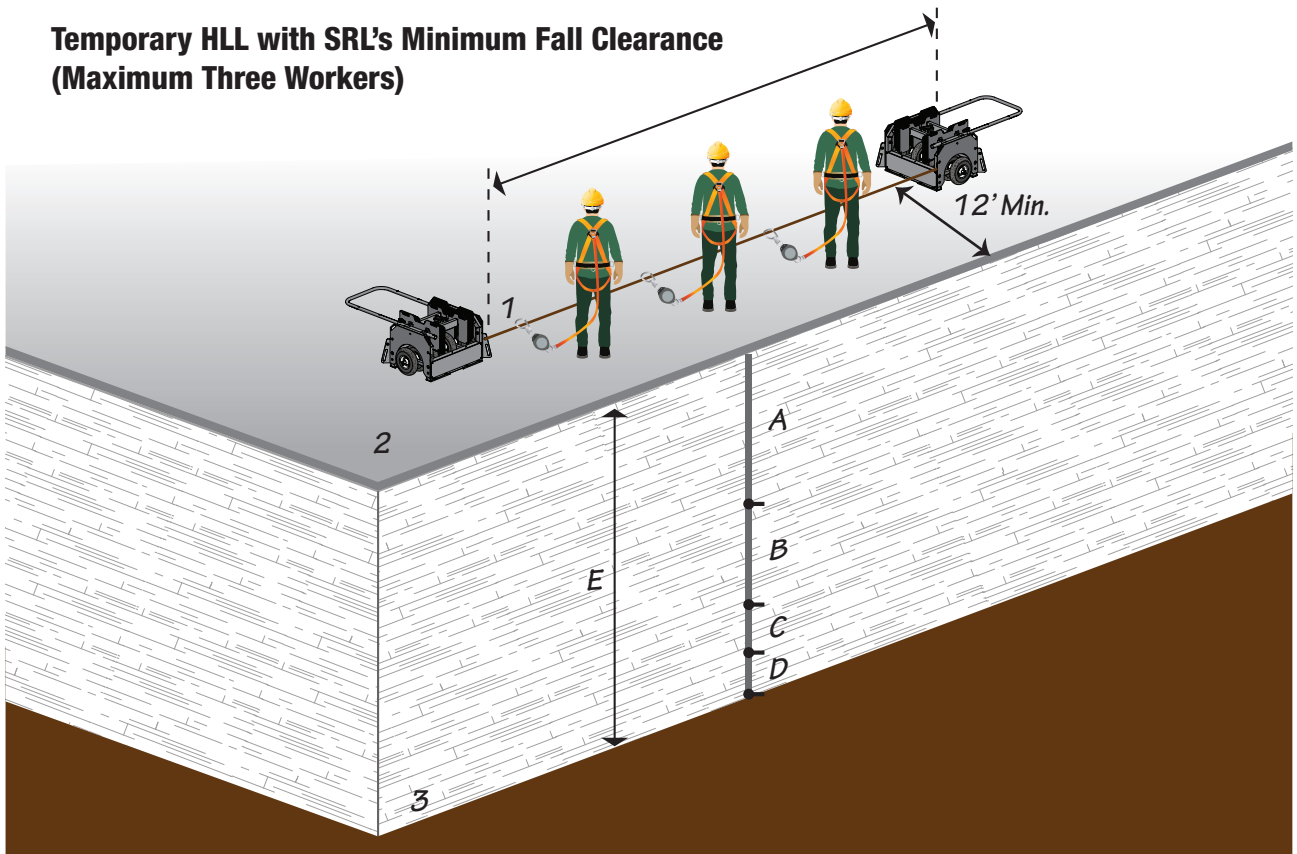


Temporary HLL with EAL Minimum Required Fall Clearance	
310 lbs. Maximum User Capacity Each	Max. Three Workers
1	Find Span Length in Table Below
2	Find Freefall Distance in Table Below
3	Required Fall Clearance at the intersection of Span Length and Freefall Distance (see table below)
A - Anchorage Point B - Walking/Working Surface C - Nearest Lower Level or Obstruction	
* Work below the HLL to avoid Swing Fall	

Span Length	Freefall Distance				
	2'	3'	4'	5'	6'
0 - 30'	21.5'	22.5'	23.5'	24.5'	25.5'
31' - 40'	22.5'	23.5'	24.5'	25.5'	26.5'
41' - 50'	24.0'	25.0'	26.0'	27.0'	28.0'
51' - 60'	25.5'	26.5'	27.5'	28.5'	29.5'
61' - 70'	27.5'	28.5'	29.5'	30.5'	31.5'
71' - 80'	30.0'	31.0'	32.0'	33.0'	34.0'
81' - 90'	33.0'	34.0'	35.0'	36.0'	37.0'
91' - 100'	36.0'	37.0'	38.0'	39.0'	40.0'

Horizontal Life Line Set Up

Temporary HLL with SRL's Minimum Fall Clearance (Maximum Three Workers)



Temporary HLL with SRD Minimum Required Fall Clearance Below Walking/Working Surface		
310 lbs. Maximum User Capacity Each		Max. Three Workers
A		Final Vertical HLL Sag (see chart on the following page)
B		Total SRL Deceleration Distance from User Instruction Manual*
C	1 ft.	D-ring Shift and Harness Stretch
D	3 ft.	Safety Factor
E		Sub Total - Minimum Required Fall Clearance Below Walking/Working Surface for direct use of SRL (sum of A, B, C and D only)
F	1 ft.	* Additional Fall Clearance Calculation due to the use of stanchions
G		Total Minimum Required Fall Clearance When Using Stanchions - (Sum of E and F)
1. Anchorage Point 2. Walking/Working Surface 3. Nearest Lower Level or Obstruction		
* If SRD Deceleration Distance is unknown, use 2 feet for ANSI Z359.14 Class A SRDs or use 4-1/2 feet for ANSI Z359.14 Class B SRDs.		
** Work directly below the HLL to avoid Swing Fall		

Horizontal Life Line Set Up

Final Vertical HLL Sag for Fall Clearance Calculation When Using SRL(s)				
		One Worker	Two Workers	Three Workers
Span Length (feet)	0 - 30'	3.5'	7.0'	11.0'
	31' - 40'	4.5'	8.5'	12.0'
	41' - 50'	5.5'	10.0'	13.5'
	51' - 60'	7.0'	12.0'	15.0'
	61' - 70'	8.0'	13.5'	17.0'
	71' - 80'	9.5'	15.0'	20.0'
	81' - 90'	11.0'	17.0'	22.5'
	91' - 100'	12.0'	18.5'	25.5'

For worst case clearance calculations the user of the Tie Down 3-Person HLL systems may opt to use the ANSI Z359.14 maximum deceleration distances when determining clearance requirements. ANSI Z359.14 allows up to 24" of deceleration for Class A SRL's and up to 54" of deceleration for Class B SRL's.

The charts below demonstrate clearance requirements below the working surface when using the Tie Down 3-Man Temporary HLL and attaching either Class A or Class B SRL's to the HLL.

Required Clearance When Connected to HLL Using ANSI Z359.14 Class A SRL's Below Walking/Working Surface				
		One Worker	Two Workers	Three Workers
Span Length (feet)	0 - 30'	9.5'	14.0'	17.0'
	31' - 40'	10.5'	14.5'	18.0'
	41' - 50'	11.5'	16.0'	19.5'
	51' - 60'	13.0'	18.0'	21.0'
	61' - 70'	14.0'	19.5'	23.0'
	71' - 80'	15.5'	21.0'	24.0'
	81' - 90'	17.0'	23.0'	28.5'
	91' - 100'	18.0'	24.5'	31.5'

Required Clearance When Connected to HLL Using ANSI Z359.14 Class B SRL's Below Walking/Working Surface				
		One Worker	Two Workers	Three Workers
Span Length (feet)	0 - 30'	12.0'	14.0'	19.5'
	31' - 40'	13.0'	14.5'	20.5'
	41' - 50'	14.0'	19.5'	22.0'
	51' - 60'	15.5'	20.5'	23.5'
	61' - 70'	16.5'	22.0'	25.5'
	71' - 80'	18.0'	23.5'	28.5'
	81' - 90'	19.5'	25.5'	31.0'
	91' - 100'	20.5'	27.0'	34.0'

Placement/Repositioning of the Squatch (HLL)

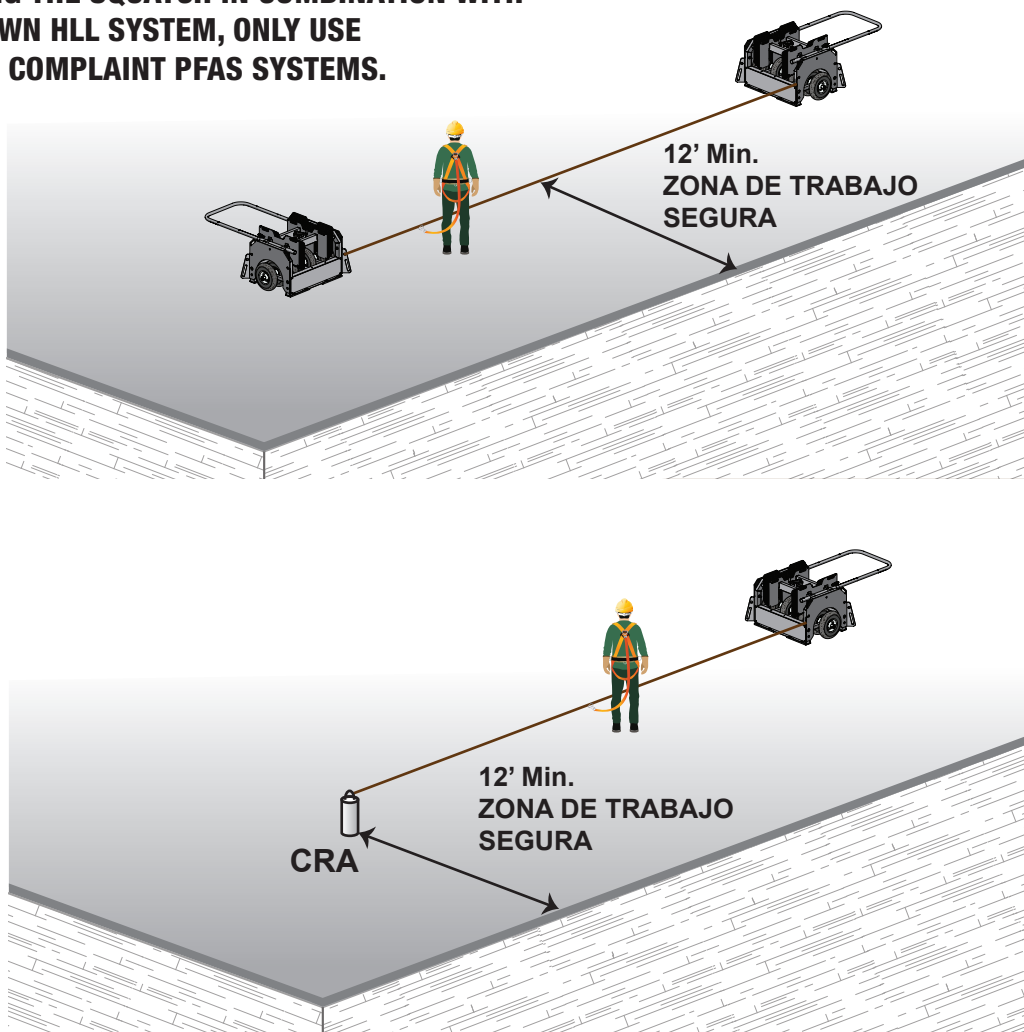
WHEN POSITIONING THE SQUATCH, ABSOLUTELY NO USERS ARE TO BE ATTACHED TO THE SQUATCH. USERS MUST MAINTAIN A SAFE DISTANCE OF 8 FT. FROM ANY LEADING EDGE FALL HAZARD.

Prior to Positioning the Squatch:

Verify that the surface is capable of supporting the Squatch, ballast weights, cart, and all personnel using it.

- 20 ft min. height building
- 85 ft. max. span between units
- 10 in. min between HLL and working surface
- Once the Squatch is in its final position, make sure the wheels are off the surface and spin freely

WHEN USING THE SQUATCH IN COMBINATION WITH THE TIE DOWN HLL SYSTEM, ONLY USE ANSI .Z359 COMPLIANT PFAS SYSTEMS.



The Squatch HLL system can also be used on any fall arrest anchor approved for use by a competent person and in compliance with this instruction manual. For example, In this configuration, the Tie Down HLL system can be attached to a Squatch Mobile Fall Protection System as well as a Tie Down CRA Fall Arrest Anchor. The CRA Fall Arrest Anchor, or approved fall arrest anchor, must be positioned no closer than 12' from the leading edge. If you have any questions, please contact Tie Down prior to use.

SQUATCH

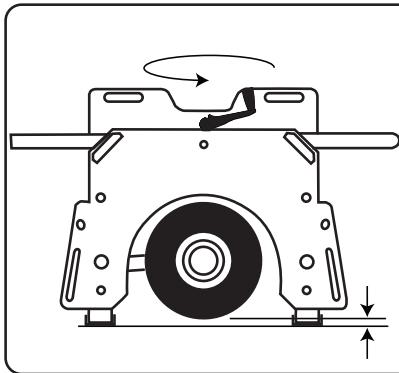
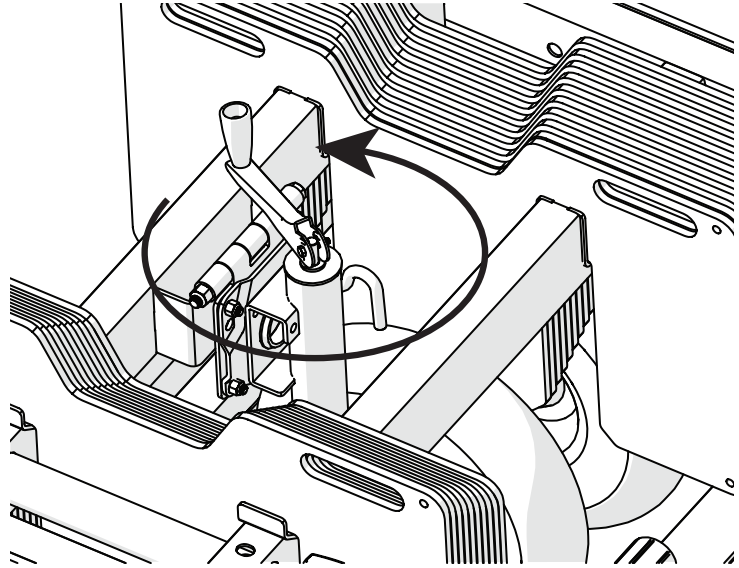
Position the Squatch at an approved location near your leading edge.

Flip the lever on the handle so the knob faces up.

Rotate the handle counter-clockwise until the wheels are not rested on the ground.

Once the Squatch is in its final position, make sure the wheels are off the surface and spin freely.

Flip the handle so the knob is facing down whenever the cart is in use.



WARNING

**PROPER SETUP REQUIRES
THAT WHEELS MUST BE
OFF THE SURFACE AND
SPIN FREELY PRIOR TO USE**

To relocate the Squatch flip the handle so that the knob faces up. Rotate the handle clockwise until all four wheels are lowered to the surface and the frame of the Bigfoot is raised from the surface. Lowering the wheels raises the ballast weights.

Once the ballast weights and frame are raised from the surface return the handle to the original position with the knob facing down.

Do not attempt to use the Squatch as a fall protection device when the wheels are lowered.

Before Using the Squatch

OSHA requires that before operating the system there must be an inspection for damaged equipment.

- 1 Check for loose, bent or damaged parts.
- 2 Check welded components for distortion, cracks, or other damage.
- 3 Check rings for distortion or damage replace if needed.
- 4 Check the slide handle for rusting and/or wear before each use.
- 5 All labels must be present and fully legible. (Copies of all labels are show on page 12)
- 6 Check for all pull pins that they are fully inserted and the safety cotter pin clips are attached to each pull pin.

IMPORTANT: BEFORE USING THIS UNIT, A RESCUE PLAN MUST BE ADOPTED.

OSHA requires employers to provide a quick rescue of employees in the event of a fall or employers shall assure that employees are able to rescue themselves. It is impossible to guarantee that an employee can rescue himself because he may be unconscious or injured as a cause or result of the fall. Therefore, a procedure involving rescuers must be adopted.

Consult with your roofing distributor/supplier for fall rescue equipment.

DO NOT OPERATE DAMAGED EQUIPMENT. DO NOT OPERATE EQUIPMENT THAT HAS BEEN MODIFIED.
(Please use the Inspection and Maintenance Log contained within the instructions manual)

Connecting to the SQUATCH

DO NOT hook Personal Fall Arrest System (PFAS) to any point except a Fall Arrest or Fall Restraint Anchor slots.

When making connections, only use double-locking snap hooks and double-locking carabiners with this equipment. Only use connectors that are suitable to each application. Ensure all connections are compatible in size, shape and strength. Do not use equipment that is not compatible. Ensure that all connectors are fully closed and locked.

Fall Arrest Tie-Off ring

The one fall arrest tie off ring is located on each corner of the Squatch . The user must insure that the lanyards and harness are properly attached.

General Safety Precautions

USE COMMON SENSE! Most accidents can be avoided by using common sense and concentrating on the job at hand. Look around and confirm a safe distance from the roof edge is being maintained.

The Squatch should not be used by persons whose ability or alertness is impaired by fatigue, intoxicating beverages, illegal or prescription drugs, or any other physical cause that exposes the user or others to injury.

Always wear proper safety attire.

Keep hands and feet clear of moving parts. **DO NOT** stick hands or fingers in the equipment when workers are attached to the Squatch.

Do not operate the equipment near electrical power lines. **ELECTRICITY KILLS!**

Ensure that all areas directly underneath, and in front of the cart, are clear and free of debris.

Do not use on roofs with ice or snow.

Only use the unit on a surface or roof composition for which it has been tested.

Do not set unit atop unfastened materials. Materials may slide if not mechanically attached to the roof.

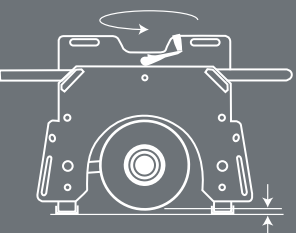
Procedure for Handling the SQUATCH After a Fall

Before rescuing a fallen employee, check that the Squatch is secure.

It is highly recommended that any rescuer be tied off in a FRS before attempting to aid in a rescue. The number of rescuers allowed to tie off to the Squatch is 1 (one).

Maintenance and Care

- ✓ Inspect Squatch before and after each use.
- ✓ Keep wheels free from debris.
- ✓ Regularly inspect for damaged or missing parts and do not place the Squatch into service until all missing and or damaged parts have been replaced.
- ✓ Store the Squatch in a place protected from weather and where only authorized employees have access.
- ✓ Maintain finish to prevent corrosion.



WARNING
 PROPER SETUP REQUIRES THAT WHEELS MUST BE OFF THE SURFACE AND SPIN FREELY PRIOR TO USE

WARNING
 ALL 20 BALLAST PLATES MUST BE INSTALLED PRIOR TO USE. DO NOT REMOVE BALLAST PLATES WHILE IN USE.

15238

ATTENTION!

ONLY USE APPROVED TIE DOWN HLL SYSTEM IN COMBINATION WITH THE SQUATCH.



PRIOR TO USE: REFER TO OPERATORS MANUAL FOR APPROVED WORKING SURFACES.

ATTACH APPROVED PFAS HERE

ALL TIRES MUST SPIN FREELY ABOVE THE WORKING SURFACE PRIOR TO USE.



DANGER
PINCH POINT
 Keep hands clear of this area!

PELIGRO
 PUNTOS DE AJUSTAMIENTO
 Cuidado con Las Manos

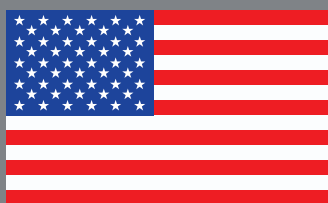
WARNING
 DO NOT CONNECT ANY FALL PROTECTION TO THE HOISTING RINGS

ADVERTENCIA
 NO CONECTE NINGUNA PROTECCIÓN CONTRA LA CAÍDA A LOS ANILLOS DE ELEVACIÓN


WARNING
 DO NOT USE SLOTTED ATTACHMENT FOR HLL.

TIE DOWN
 MANUFACTURING INGENUITY

404-344-0000 • www.tiedown.com
 605 Stonehill Drive SW, Atlanta, GA 30336
sales@tiedown.com



MADE IN THE USA

 **WARNING:** This product can expose you to chemicals including Nickel, which is known to the State of California to cause cancer. For more information go to: www.P65Warnings.ca.gov

DECLARATION OF CONFORMITY

Declaration Date: 04.30.2021
Rev. 0

DECLARATION NO.	ETR-61010_R1
PART NUMBER(S):	61010
PART DESCRIPTION:	Squatch Cart
ADDITIONAL INFORMATION REGARDING THIS DOCUMENT OR STANDARD(S) EVALUATED:	
<ul style="list-style-type: none">• When testing the Squatch Cart as a single ballasted anchor, drop tests were limited to 2 consecutive drops.• When testing and HLL system using two Squatch Carts, drop tests were limited to 3 consecutive drops.• Testing was performed on smooth concrete.• Testing was performed on soil and clay packed composition ground.	

TIE DOWN ENGINEERING DECLARES THAT THE PRODUCT(S) LISTED ABOVE IS IN CONFORMITY WITH THE REQUIREMENTS OF THE FOLLOWING PERFORMANCE STANDARDS.

STANDARD(S):
<ul style="list-style-type: none">• OSHA 1910 Personal Fall Protection Systems• OSHA 1926 Fall Protection Systems Criteria and Practices

*** This certificate declares that the above standard(s) was met by the requirements of such standard(s). Testing was performed under normal operating measures. The results of testing apply only to the sample(s) tested and to the specific test(s) performed. This certificate is only issued for products which have passed the testing requirements of the standard(s) listed. The end-user is responsible for using the product(s) for its intended purpose(s) only and must review all manuals and instructional documentation prior to use. ***

Tie Down Engineering, Inc.
605 Stonehill Drive, SW
Atlanta, GA 30336

404-344-0000
sales@tiedown.com
www.tiedown.com

Test Report		
Test Operator(s):	Wilson Ha, Daniel Mathis	
Test Date:	4/30/2021, 4/12/2023	
Part Number(s):	61010	
Part Revision:	1	
Internal Test Report:	ITR-61010_R1	
Third Party (if applicable):		
Test Summary		
Test Specification	Test Criteria	Test Result
OSHA 1910 Subpart I App D	<ul style="list-style-type: none"> 6 ft. freefall drop test using a 310 lb. test mass Test performed with 6 ft. PEA's. Test mass must not hit the ground or floor. 	PASS
OSHA 1926 Subpart M App C	<ul style="list-style-type: none"> 1910.140(d) Personal fall arrest systems— 1910.140(d)(1) System performance criteria. In addition to the general requirements in paragraph (c) of this section, the employer must ensure that personal fall arrest systems: 1910.140(d)(1)(i) Limit the maximum arresting force on the employee to 1,800 pounds (8 kN); 1910.140(d)(1)(ii) Bring the employee to a complete stop and limit the maximum deceleration distance the employee travels to 3.5 feet (1.1 m); 1910.140(d)(1)(iii) Have sufficient strength to withstand twice the potential impact energy of the employee free falling a distance of 6 feet (1.8 m), or the free fall distance permitted by the system; 	PASS
OSHA 1926.502(d)	<ul style="list-style-type: none"> 1926.502(d)(8) Horizontal lifelines shall be designed, installed, and used, under the supervision of a qualified person, as part of a complete personal fall arrest system, which maintains a safety factor of at least two. 1926.502(d)(16) Personal fall arrest systems, when stopping a fall, shall: 1926.502(d)(16)(i) limit maximum arresting force on an employee to 900 pounds (4 kN) when used with a body belt; 1926.502(d)(16)(ii) 	PASS

<ul style="list-style-type: none"> limit maximum arresting force on an employee to 1,800 pounds (8 kN) when used with a body harness; 	<ul style="list-style-type: none"> 1926.502(d)(16)(iii) be rigged such that an employee can neither free fall more than 6 feet (1.8 m), nor contact any lower level; 1926.502(d)(16)(iv) bring an employee to a complete stop and limit maximum deceleration distance an employee travels to 3.5 feet (1.07 m); and, 1926.502(d)(16)(v) have sufficient strength to withstand twice the potential impact energy of an employee free falling a distance of 6 feet (1.8 m), or the free fall distance permitted by the system, whichever is less.
--	---

Recommendations:

*Always refer to instruction manuals and safety guidelines prior to setup**

Squatch Cart – Single Unit

- Weight of unit: ~1200 lbs.
- Minimum Setup Distance to Leading Edge: 8 feet
- Max 2 Workers in Fall Arrest

HLL Rope System Using (2) Squatch Carts

- Only use approved HLL rope systems
- Max HLL span: 100 feet
- Always follow Fall Clearance guidelines for the specific HLL rope system being used.
- Minimum Setup Distance of the Squatch Carts to Leading Edge: 15 feet
- Refer to the HLL rope system Fall Clearance guidelines to increase setup distance as necessary for proper Fall Clearances per worker attached.
- Max 3 workers in Fall Arrest per HLL

Squatch Model # _____	Date of Purchase: _____
Serial Number: _____	Purchased From: _____

Squatch Cart	Date:								
Frame: Free of Rust?									
Frame: Welded Connections?									
Axles/Wheels Rotate Properly?									
Overall Cart Parts?									
Handle Pins (2)?									
Handle Moves in and Out Smoothly?									
Ballast: All 20 Installed?									
Instructions Are Available in Instruction Tube?									
Are the Warning Labels Fully Readable?									
Does the Crank Handle Work Properly?									
Are the Anti Skid Pads Cracked or Worn?									

Date	Corrective Action Taken: