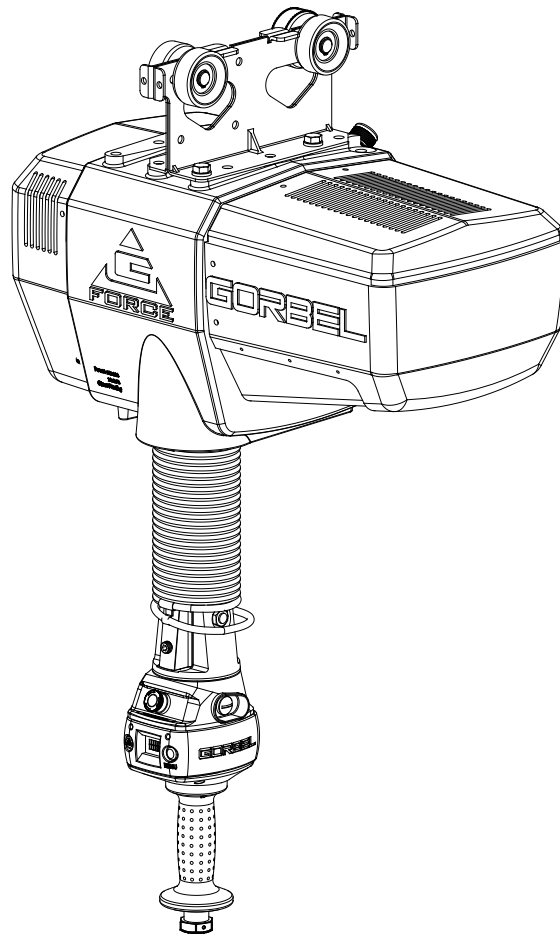


Installation & Operation Manual



**IMPORTANT!
DO NOT DESTROY**

G-Force® Q and iQ Series

Gorbel® Customer Order No. / Serial No. _____

Gorbel® Dealer _____

Date _____
Month Year

Go to www.gorbel.com/support/gforceserviceregistration to register your G-Force®, sign up for our Platinum Service Package and request your free G-Force® Q and iQ Series Service Manual.

This page intentionally left blank.

TABLE OF CONTENTS

Safe Hoist Operating Guidelines.....	1-3
Introduction.....	4
Correct G-Force® Installation Orientation.....	5
G-Force® Main Assembly Component Description	6
Installation	
Step 1 - Unpacking the G-Force®.....	7
Step 2 - Pre-Assembly / Tools Required.....	7
Step 3 - Actuator Assembly Installation	7
Step 4 - Coil Cord Installation	8
Step 5A - In-Line Slide & Force Sensing Slide Handle Installation.....	9
Step 5B - Remote Mounted Slide Handle Installation	9-10
Step 5C - Suspended Pendant Handle Installation	11
Step 5D - Remote Mounted Pendant Handle Installation.....	11-12
Step 5E - 1320 Lb. In-Line Slide or Remote Mounted Handle Installation	13
Step 5F - 1320 Lb. Suspended Pendant Handle Installation	14
Step 5G - 1320 Lb. Air Hose Installation (Option)	14
Step 5H - Remote Mount Force Sensing Slide Handle Installation.....	15
Step 5I - Remote Mount Force Sensing Hub Handle Installation	16
Step 6 - Electrical Power Connection.....	17
Step 7 - Initial Power-Up	17
Step 8 - Float Mode and Final Steps	18-19
Step 9 - Expansion I/O Block Mounting Instructions (Option).....	20
Lift Functionality	22-24
Controls Interface Features.....	25
Program Mode	
Overview & Basic Features.....	26-30
Custom Feature Definition and Requirements	31-35
Input/Output Points.....	36-41
Troubleshooting	
Basic Troubleshooting.....	42
System Fault Diagnostics Chart.....	43
Diagnostic Mode Test Chart.....	44
Technical Specifications.....	45
Wire Rope Inspection, Maintenance, & Replacement	46-50
Slack Spring Adjustment	51
Recommended Spare Parts Kits.....	52
Limited Warranty	53
Inspection and Maintenance Schedule	56

Questions? Concerns? Comments? Please call (800) 821-0086 (US and Canada) or (585) 924-6262 (outside US).

This page intentionally left blank.

SAFE HOIST OPERATING GUIDELINES

General

There is no one single factor that is more important for minimizing the possibility of personal injury to the operator and those working in the area, or damage to property, equipment, or material than being familiar with the equipment and using Safe Operating Practices.

Hoists/trolleys are designed for lifting and transporting of material only. Under no circumstances, either during initial installation or in any other use, should the hoist be used for lifting or transporting personnel.

No operator should be permitted to use the equipment that is not familiar with its operation, is not physically or mentally fit, or has not been schooled in safe operating practices. The misuse of hoists can lead to certain hazards which cannot be protected against by mechanical means; hazards which can only be avoided by the exercise of intelligence, care, and common sense.

Safe Operating Practices also involve a program of periodic inspection and preventative maintenance (covered in a separate section). Part of the operator's training should be an awareness of potential malfunctions/hazards requiring adjustments or repairs, and bringing these to the attention of supervision for corrective action.

Supervision and management also have an important role to play in any safety program by ensuring that a maintenance schedule is adhered to, and that the equipment provided for the operators is suitable for the job intended without violation of one or more of the rules covering safe operating practices and good common sense.

The Safe Operating Practices shown are taken in part from the following publications:

- American National Standard Institute (ANSI)
- Safety Standards for Cranes, Derricks, Hoists
- ANSI B30.2 - Overhead and Gantry Cranes
- ANSI B30.16 - Overhead Hoists

Do's and Don'ts (Safe Operation of Hoists)

The following are Do's and Don'ts for safe operation of overhead hoists. A few minutes spent reading these rules can make an operator aware of dangerous practices to avoid and precautions to take for his own safety and the safety of others. Frequent examinations and periodic inspections of the equipment as well as a conscientious observance of safety rules may save lives as well as time and money.

DON'TS - HOISTS

1. Never lift or transport a load until all personnel are clear and do not transport the load over personnel.
2. Do not allow any unqualified personnel to operate hoist.
3. Never pick up a load beyond the capacity rating appearing on the hoist. Overloading can be caused by jerking as well as by static overload.
4. Never carry personnel on the hook or the load.
5. Do not operate hoist if you are not physically fit.
6. Do not operate hoist to extreme limits of travel of cable without first checking for proper limit switch action.

7. Avoid sharp contact between two hoists or between hoist and end stop.
8. Do not tamper with or adjust any parts of the hoist unless specifically authorized to do so.
9. Never use the load cable as a sling.
10. Do not divert attention from load while operating hoist.
11. Never leave a suspended load unattended.
12. Do not use limit switch(es) for normal operating stop(s). These are safety devices only and should be checked on a regular basis for proper operation.
13. Never operate a hoist that has an inherent or suspected mechanical or electrical defect.
14. Do not use load cable as a ground for welding. Never touch a live welding electrode to the load cable.
15. Do not jog controls unnecessarily. Hoist motors are generally high torque, high slip types. Each start causes an inrush of current greater than the running current and leads to overheating and current failure, or burnout, if continued to excess.
16. Do not operate hoist if load is not centered under hoist.
17. Do not operate hoist if cable is twisted, kinked, or damaged.
18. Do not remove or obscure label.
19. Do not permanently activate operator present sensor.

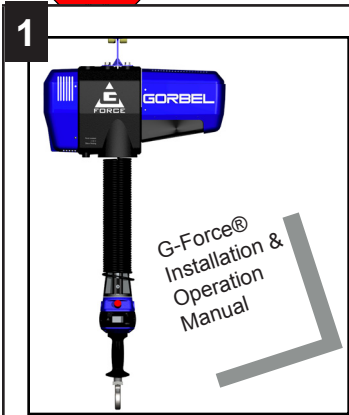
DO'S - HOISTS

1. Read and follow manufacturer's instruction, installation, and maintenance manuals. When repairing or maintaining a hoist, use only manufacturer's recommended parts and materials.
2. Read and follow all instruction and warning information on or attached to a hoist.
3. Remove the hoist from service and thoroughly inspect and repair, as necessary, if unusual performance or visual defects (such as peculiar noise, jerky operations, travel in improper direction, or obviously damaged parts) are noticed.
4. Establish a regular schedule of inspection and maintain records for all hoists with special attention given to hooks, load cables, brakes, and limit switches.
5. Check operation of brakes for excessive drift.
6. Never lift loads over people, etc.
7. Check for damaged hooks and load cable.
8. Keep load cable clean and well maintained.
9. Check the load cable for improper seating, twisting, kinking, wear, or other defects before operating the hoist.
10. Make sure a load clears neighboring stockpiles, machinery, or other obstructions when raising, lowering, or traveling the load.
11. Center hoist over the load before operating.
12. Avoid swinging of load or load hook when traveling the hoist.
13. Be sure the load attachment is properly seated in the saddle of the hook. Balance load properly before handling. Avoid hook tip loading.
14. Pull in a straight line, so that neither hoist body nor load cable are angled around an object.
15. Take up slack slowly.
16. Know the hand signals for hoisting, cross travel, and crane travel if working with cab-operated hoists or cranes. Operators should accept signals of only those persons authorized to give them.



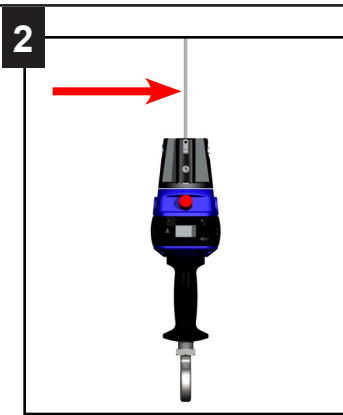
G-FORCE® OPERATIONAL GUIDELINES

All operators should read the G-Force® Installation and Operation Manual before operating the unit. Please follow the instructions contained in this manual for your safety and the optimum trouble-free operation of your G-Force®.



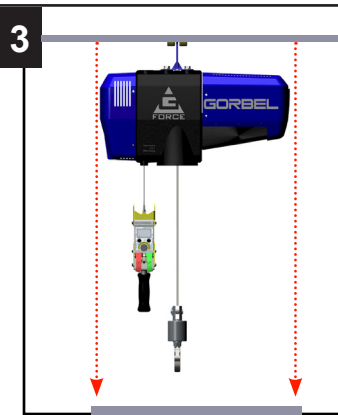
1

Read & follow all instruction & warning information on or attached to the G-Force®.



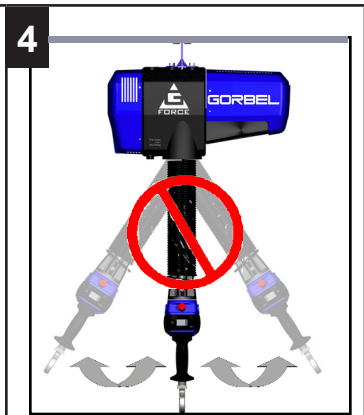
2

Check Wire Rope for improper seating, twisting, kinking, wear or defects before operating.



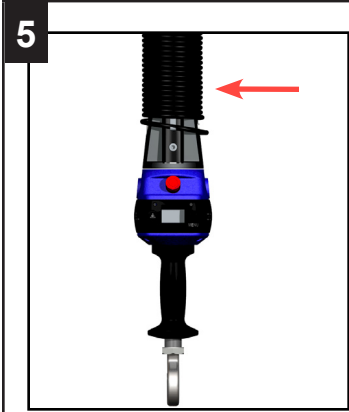
3

Center G-Force® over the load before lifting a load. Do not end or side load.



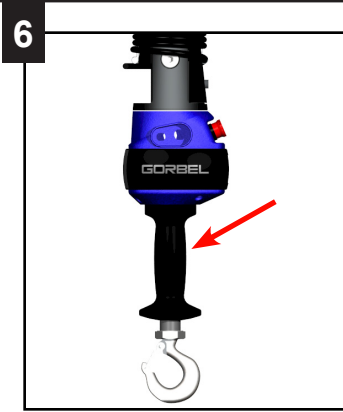
4

Avoid swinging of load or load hook when traveling with the G-Force®.



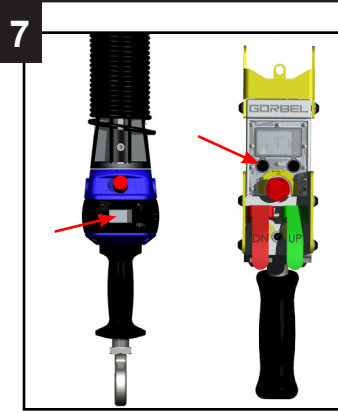
5

Check the coil cord for improper seating, twisting, kinking, wear or defects before operating.



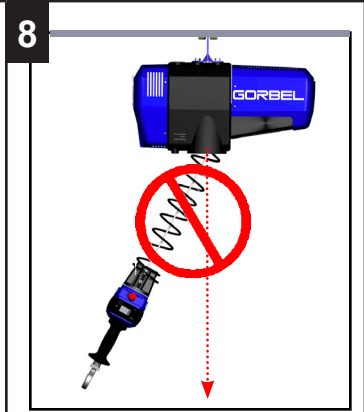
6

The operator's hand should not leave the handle grip at any time the G-Force® is in use (excluding Float Mode).



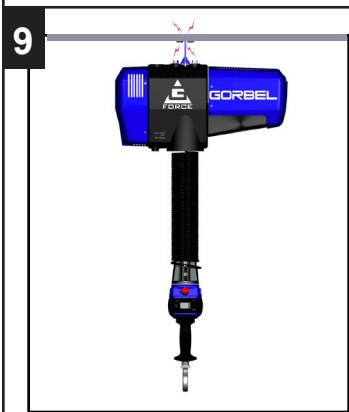
7

Float Mode - Press the G-Force® logo button with only the load weight hanging from the unit. Applying additional force will cause unit to drift.



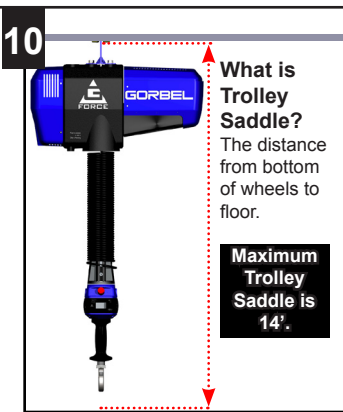
8

The wire rope should never be more than 15° out of vertical while the G-Force® is in use. The G360™ must be level at all times.



9

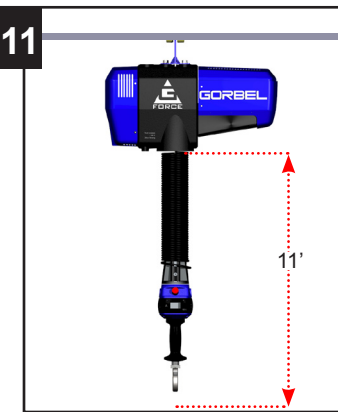
Do not impact the G-Force® into end stops repeatedly or at a speed faster than a normal walking pace.



10

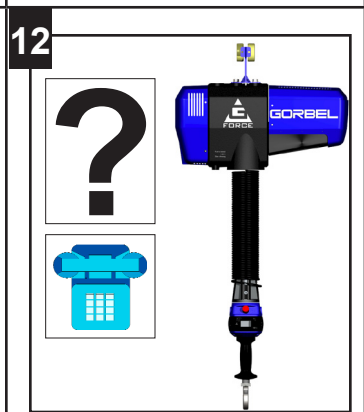
What is Trolley Saddle?
The distance from bottom of wheels to floor.
Maximum Trolley Saddle is 14'.

Maximum Trolley Saddle for the G-Force® with standard in-line slide handle is 14'. See above drawing for Trolley Saddle definition.



11

The maximum available wire rope travel for the G-Force® is 11'. For H5 duty cycle the maximum working stroke is 8'.



12

Questions about G-Force®? Call your local Gorbel® distributor or Gorbel® Customer Service at (800) 821-0086.

WARNINGS

IMPORTANT SAFETY INSTRUCTIONS

WARNINGS

1. All operators should read the G-Force® Installation and Operation Manual before operating the unit.
2. Check wire rope for improper seating, twisting, kinking, wear, or defects before operating.
3. Center the G-Force® over the load before lifting. DO NOT end or side load the G-Force®. End or side loading will seriously reduce the life of the wire rope and lead to premature failure. The wire rope should never exceed an out of vertical angle greater than 15° under any circumstances.
4. Avoid swinging of load or load hook when traveling with the G-Force®.
5. Check the coil cord for improper seating, twisting, kinking, wear, or defects before operating. Any of the described conditions will seriously reduce the life of the coil cord and lead to premature failure.
6. Press the G-Force® logo button for Float Mode (option) with only the load weight hanging from the unit. Additional external forces applied to the load during initiation of Float Mode will result in the load drifting.
7. Do not repeatedly impact the G-Force® into the end stops. This condition will seriously reduce the life of the controls and could lead to premature failures. If the unit impacts the end stop more than 10 times in a single shift, contact Gorbel® Inside Sales for alternative end stop options.
8. The G-Force® does not meet “wash-down” environment requirements. The G-Force® does not meet “explosion proof” requirements.
9. Ensure that the slide handle is supported properly in remote mounted handle applications by mounting the slide handle at both the top and bottom mounting points (**diagram D**, page 24).
10. Do not mount any objects to the G-Force® slide handle grip (i.e. switches). Additional objects may interfere with the travel of the sliding handle grip and affect the overall speed and functionality of the unit.
11. Do not mount any load bearing components to the blue housing of the G-Force® slide handle, pendant handle, or actuator assembly.

TOOLING INTEGRATION GUIDELINES

1. All tooling must be retained to the G360™ assembly utilizing the M16 thread and locking pin provided.
2. Do not mount anything to the G-Force® handle housing. Use supplied brackets, valves, and switches whenever possible.
3. In-line tooling must always be centered directly under the hand controller.
4. Tooling design which does not keep the tooling level; and balanced in both the loaded and unloaded condition may induce a bending force on the handle and/or collector assembly which may reduce the life and/or performance of the handle and/or collector assembly
5. Do not mount anything to the sliding portion of the G-Force® hand controller.
6. Do not alter or add conductors to the G-Force® coil cord.
7. Use only Gorbel’s slide on air hose (slides over coil cord) to supply air power to end effector tooling. Gorbel cannot guarantee performance or functionality of other methods of supplying air power to end effector tooling.
8. All cables used in a remote mounted handle configuration must be properly clamped and/or strain-relieved to prevent premature failure of the G-Force® or customer tooling.,

INTRODUCTION

Thank you for choosing a Gorbel® G-Force® Intelligent Lifting Device (ILD)** to solve your material handling needs. The G-Force® is a servomotor driven, high speed, ergonomic materials handling device. The innovative design and heavy-duty construction of the G-Force® will provide a superior quality product that will offer years of long term value. A Gorbel® G-Force® will provide many years of dependable service by following the installation and maintenance procedures described herein.

** U.S. Patent No's: 5,865,426, 6,622,990, 6,386,513, & 6,886,812, Other Patents Pending

Dimensions contained in this installation manual are for reference only and may differ for your particular application.

WARNING

Only competent erection personnel familiar with standard fabrication practices should be employed to install the G-Force® because of the necessity of properly interpreting these instructions. Gorbel is not responsible for the quality of workmanship employed in the installation of this hoist according to these instructions. Contact Gorbel, Inc., at 600 Fishers Run, P.O. Box 593, Fishers, New York 14453, 1-585-924-6262, for additional information if necessary.

WARNING

Equipment described herein is not designed for, and should not be used for, lifting, supporting, or transporting humans. Failure to comply with any one of the limitations noted herein can result in serious bodily injury and/or property damage. Check Federal, State and Local regulations for any additional requirements.

WARNING

Gorbel Inc. authorizes use of wire rope only as supplied by Gorbel for any G-Force® equipment. Use of other than Gorbel supplied wire rope shall void Gorbel's warranty of the product.

WARNING

Prior to installation, consult a qualified structural engineer to determine if your support structure is adequate to support the loadings created during normal operation of the G-Force®.

WARNING

Reference American Institute of Steel Construction (AISC) Manual of Steel Construction (9th edition), Part 5, Specification for Structural Joints using ASTM A325 or A490 Bolts (section 8.d.2) for proper procedure to follow when using any torque tightening methods.

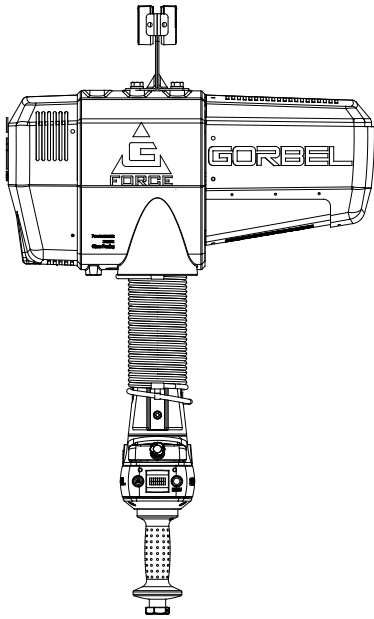
WARNING

Do not field modify the G-Force® actuator or handles in any way. Any modification, without the written consent of Gorbel, Inc., will void warranty.

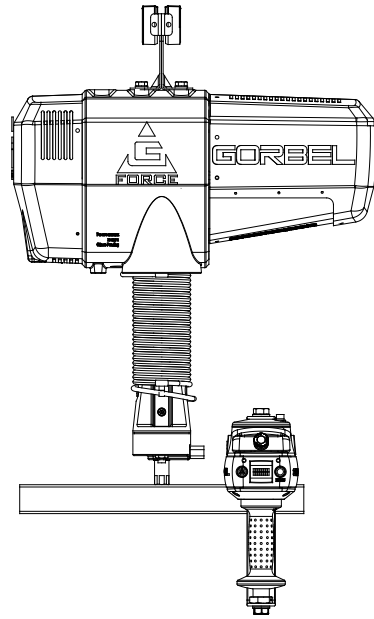
WARNING

The jog switch buttons are for system maintenance and load testing only, and should not be manipulated during normal operation of the G-Force®. Operation of the jog switch buttons during normal operation increases the risk of personal injury to the operator.

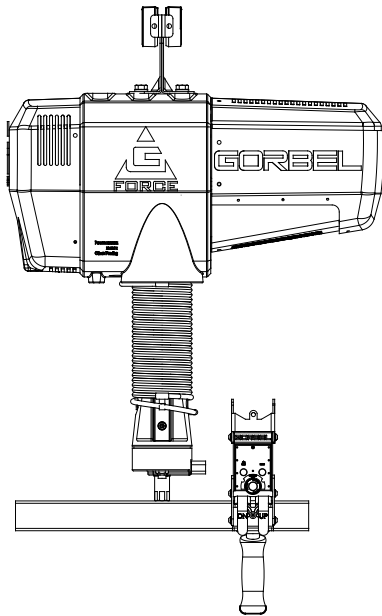
CORRECT G-FORCE® INSTALLATION ORIENTATION



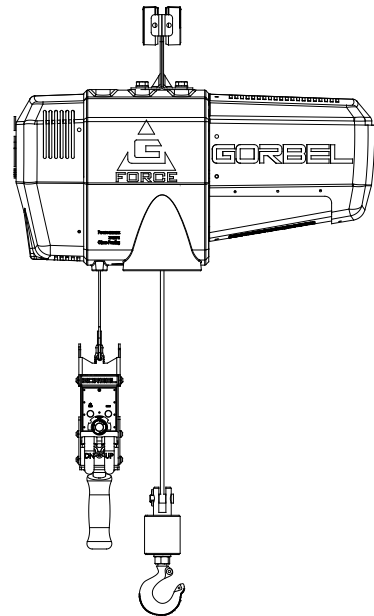
In-Line Slide Handle



Remote Mounted Slide Handle



Remote Mounted Pendant Handle



Suspended Pendant Handle

WARNING

The G-Force® was designed and fully life tested in the installation orientations shown above. Any modification to the installation orientation of the G-Force® without the written consent of Gorbel, Inc. Engineering will immediately void the warranty.

CAUTION

As a normal safety precaution, check for obstructions in the crane and G-Force® travel.

G-FORCE® MAIN ASSEMBLY COMPONENT DESCRIPTION

Prior to installing the G-Force® it is a good idea to familiarize yourself with the main components.

Standard Assembly: The G-Force® consists of three (3) main assemblies and they are as follows:

- 1) **Actuator (diagram 1):** The actuator assembly contains the lifting power transmission of the G-Force®. The drive assembly of the actuator consists of the servomotor with failsafe brake, gearbox, main drum pulley, and controls. The actuator assembly also contains the upper and lower limit switches. **See the Lift Functionality section (page 22) and Controls Interface Features section (page 25) for additional details.**
- 2) **Coil Cord Assembly (diagram 2):** The coil cord assembly carries signals from the handle to the actuator assembly which will include lift speed, lift direction and emergency stop. Do not restrain coil cord to any foreign objects. Do not hang or strain relief additional cable or festooning from the Gorbels® coil cord.

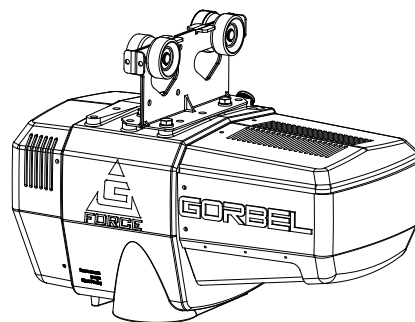


Diagram 1. Actuator Assembly.

WARNING

The quick disconnects on the coil cord are keyed. The connector must be aligned correctly before it threads into place.

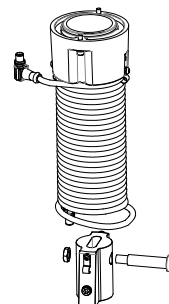


Diagram 2. Standard Coil Cord Assembly.

- 3) **Handle (diagram 3):** The handle is the main interface between the operator and the lifting device. **See the Lift Functionality section (page 22) and Controls Interface Features section (page 25) for additional functionality located at the handle.** The Gorbels® slide handle can accommodate either a Gorbels® load hook or tooling (supplied by others). Tooling must meet the guidelines set forth by Gorbels, Inc (see **Tooling Integration Guidelines on page 3**). Improper tooling integration will result in degraded performance and premature failure of the G-Force®.

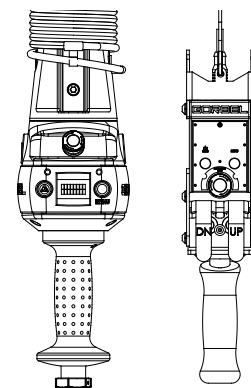


Diagram 3. In-line Slide Handle and Pendant Handle.

WARNING

The unique serial number for this unit can be found on the front cover of this manual, the bottom of the actuator assembly and the handle. Always have this serial number available during all correspondence regarding your G-Force®, or when ordering repair parts.

WARNING

Do not field modify the G-Force® in any way. Any modification, without the written consent of Gorbels, Inc., will void warranty.

INSTALLATION

STEP 1 - UNPACKING THE G-FORCE®

➡ **TIP:** Packing list can be found in plastic pocket attached to shipping box.

- 1.1 Carefully remove all items from the box.
- 1.2 Verify that all components listed on the packing slip are included.
- 1.3 If any items are missing or were damaged during shipping, please contact Gorbel® Inside Sales immediately at (800) 821-0086 or (585) 924-6262.

STEP 2 - PRE-ASSEMBLY / TOOLS REQUIRED

- 2.1 Read entire Operator's Manual **before** beginning installation of the G-Force®.
- 2.2 Tools and materials (by others) typically needed to install/assemble a G-Force® are as follows:
 - 5mm Allen wrench
 - 8mm Allen wrench
 - 2.5mm Allen wrench
 - 6mm Allen wrench (1320 lb only)
 - 3mm Allen wrench (1320 lb only)
 - 19mm hex socket
 - Plastic cable tie straps
 - Ladders/man lifts
 - 14mm wrench or hex socket (1320 lb. only)
 - Snap ring pliers (1320 lb. only)

STEP 3 - ACTUATOR ASSEMBLY INSTALLATION

WARNING

DO NOT lift the actuator by grabbing the blue plastic end covers. To lift the actuator, grab the handle slots in the trolley.

- 3.1 The standard G-Force® will come with the wheels pre-assembled to the actuator trolley (**diagram 3A**).

When a Gorbel® G-Force® is to be used on a non-Gorbel® bridge system, a universal adapter trolley is required (**diagram 3B**). **Note:** The customer must provide two (2) hoist trolleys when the unit will run in a non-Gorbel® bridge system.

- 3.2 Ensure the power cord from the actuator is facing the festooning side of the bridge/monorail. Remove the end stop from the bridge and install the G-Force® actuator into the track. Immediately reinstall the end stop. Verify that the G-Force® trolley wheels are correct for the style and capacity track that the unit is being installed on by rolling the actuator assembly along the full length of the bridge to ensure that the travel is smooth throughout.

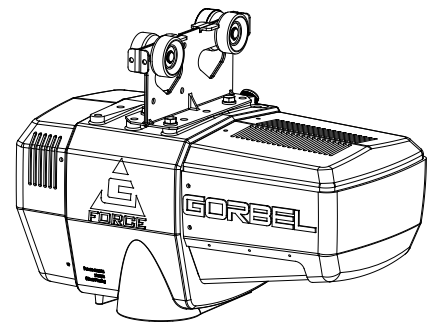


Diagram 3A. Standard Actuator Assembly.

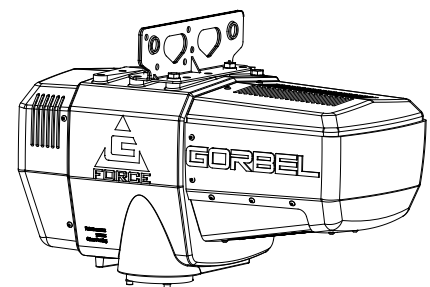


Diagram 3B. Standard Actuator Assembly with Universal Adapter Trolley.

STEP 4 - COIL CORD INSTALLATION (STANDARD IN-LINE SLIDE HANDLE, REMOTE MOUNTED SLIDE HANDLE & REMOTE MOUNTED PENDANT HANDLE)

TIP: This step is best completed once the actuator has been installed into the bridge system.

Note: G-Force® units, standard in-line or remote mounted, that are ordered from the factory will be shipped with the coil cord assembled to the actuator wear ring and the coil cord footer, creating the coil cord assembly (**diagrams 4A** and **4B**). In addition, units ordered with air power will have a 1/4" ID nycoil air hose coil cord assembled onto the coil cord assembly (not shown).

- 4.1 Verify the coil cord assembly is correct. There are two coil cord assemblies: standard and double length. The standard coil cord assembly is used on systems with a trolley saddle up to 14' (4.27m) and will measure approximately 8.3" (211.46mm) in length. The double length coil cord assembly is used on systems with a trolley saddle greater than 14' (4.27m) and will measure approximately 16.4" (415.93mm) in length.
- 4.2 Feed the wire rope from the actuator assembly through the center of the coil cord assembly.

CAUTION

The connectors on the coil cord are keyed. The connector must be aligned correctly before it threads into place.

- 4.3 Use the actuator assembly hardware to fasten the coil cord assembly to the actuator (**diagram 4C**). Adjust the coil cord in the clamps so that the coil cord connector is conveniently located on the proper side of the actuator assembly. **Note:** The orientation of the coil cord must be correct so that the connector is located properly (**diagram 4D**).
- 4.4 Thread the coil cord connector into the actuator connector (**diagram 4D**).
- 4.5 Assure that the coils of the coil cord are centered around the wire rope when properly installed.

- 4.6 Use the 16mm shoulder bolt and M12 jam-nut to retain the coil cord footer to the thimble in the wire rope. **Note:** The shoulder bolt and jam-nut will be used to retain the handle or collector in the next step.

- 4.7 If applicable, connect air hose coil cord to supply line from the actuator assembly. The air hose coil cord is provided with two (2) 1/4" NPT male swivel fittings located at both ends of the air hose.

- 4.8 For standard in-line slide handle or in-line force sensing handle installation, go to Step 5A, page 9. For remote mounted slide handle installation, go to Step 5B, page 9. For suspended pendant handle installation, go to Step 5C, page 11. For remote mounted pendant handle installation, go to Step 5D, page 11. For 1320 lb. in-line slide or remote mounted handle installation, go to Step 5E, page 13. For 1320 lb. suspended pendant handle installation, go to Step 5F, page 14. For remote mounted force sensing handle installation, go to Step 5H, page 15. For remote mounted force sensing hub handle installation, go to Step 5I, page 16.

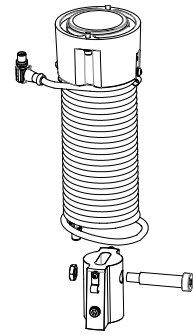


Diagram 4A. Standard Coil Cord Assembly.

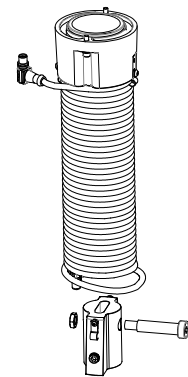


Diagram 4B. Double Length Coil Cord Assembly.

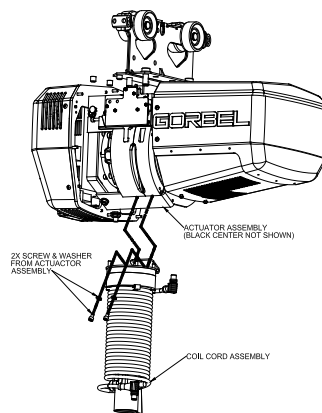


Diagram 4C. Coil Cord Assembly Installation at the Actuator (black center not shown).

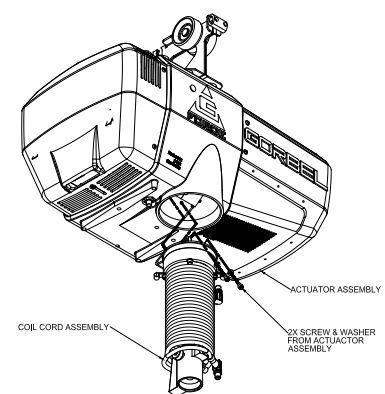


Diagram 4D. Coil Cord Assembly Installation (Bottom).

STEP 5A - IN-LINE SLIDE & IN-LINE FORCE SENSING HANDLE INSTALLATION

5A.1 Ensure the wire rope is still fed through the center of the coil cord. Hold the slide handle just below the coil cord.

5A.2 Center the coil cord footer between the ears of the slide handle swivel. **Note:** Make sure the fin of the coil cord footer is on the opposite side of the slide handle connector.

5A.3 Remove the 16mm shoulder bolt from the coil cord footer and wire rope and allow the coil cord footer and wire rope to slide down into the slide handle swivel.

5A.4 Once the wire rope, coil cord footer and slide handle swivel are aligned, replace the 16mm shoulder bolt, thereby capturing the wire rope, coil cord footer and slide handle (**diagram 5A**).

5A.5 Thread the coil cord connector into the slide handle connector (**diagram 5A**).

5A.6 Thread the M12 jam nut onto the 16mm shoulder bolt.

5A.7 Check that the coils of the coil cord are centered around the wire rope when properly installed.

5A.8 Continue to Step 6 on page 17.

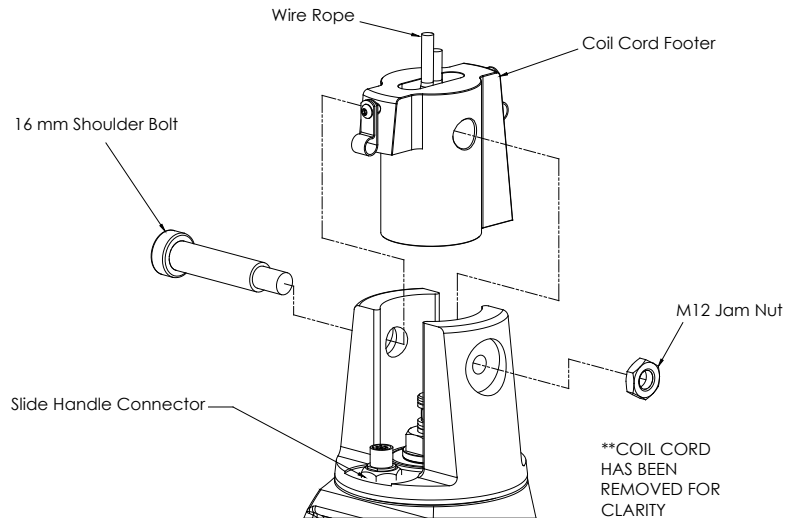


Diagram 5A. Slide Handle, Shoulder Bolt and Coil Cord

STEP 5B - REMOTE MOUNTED SLIDE HANDLE INSTALLATION

5B.1 Ensure the wire rope is still fed through the center of the coil cord. Hold the G360™ swivel just below the coil cord assembly.

5B.2 Center the coil cord footer between the ears of the G360™ swivel. **Note:** Make sure the fin of the coil cord footer is on the opposite side of the G360™ connector.

5B.3 Remove the 16mm shoulder bolt from the coil cord footer and wire rope and allow the coil cord footer and wire rope to slide down into the G360™ swivel.

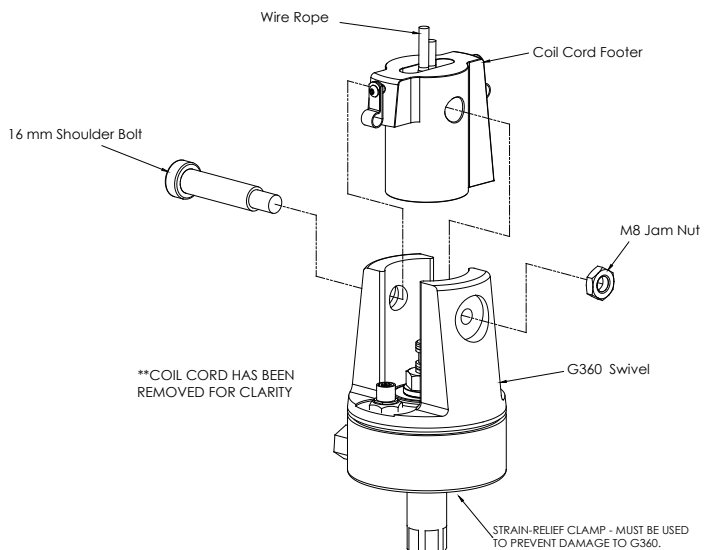


Diagram 5B. G360™, Shoulder Bolt and Coil Cord.

STEP 5B - REMOTE MOUNTED SLIDE HANDLE INSTALLATION (CONTINUED)

5B.4 Once the wire rope, coil cord footer and G360™ swivel are aligned, replace the 16mm shoulder bolt thereby capturing the wire rope, coil cord footer and G360™ swivel (**diagram 5B**, page 9).

5B.5 Thread the coil cord connector into the G360™ connector (**diagram 5B**, page 9).

5B.6 Thread M12 jam nut onto the 16mm shoulder bolt.

5B.7 Check that the coils of the coil cord are centered around the wire rope when properly installed.

5B.8 A pilot hole is provided for the locking pin. Attach tooling to G360™ utilizing M16 thread. The tool bolt/rod thread should be beyond pilot hole of shaft when fully engaged. Using a #21 drill bit, drill through the tool bolt/rod thread and out the other side of G360™ shaft. Hammer pin into place thereby locking tooling to G360™ (**diagram 5C**).

5B.9 Assemble the remote mounted slide handle inside the remote mount bracket using the hardware provided (**diagram 5D**). **Note:** This step is best completed on a workbench prior to mounting handle to tooling.

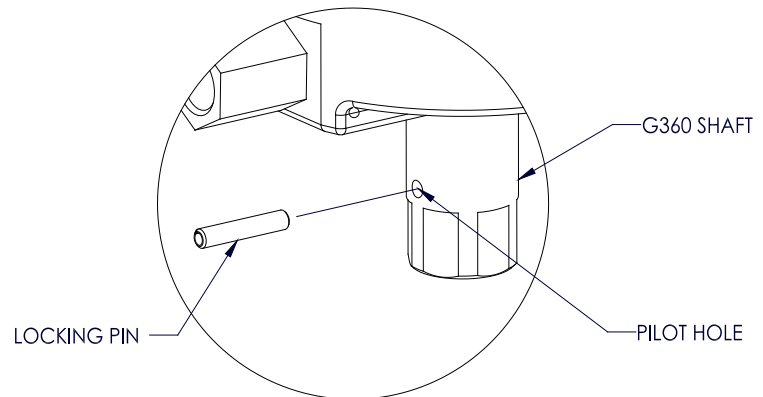


Diagram 5C. Tooling Installation.

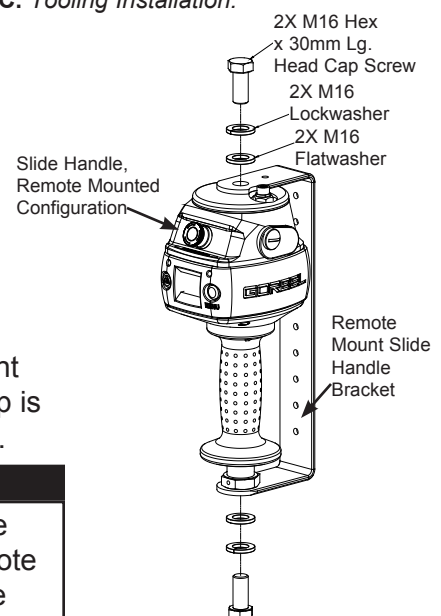


Diagram 5D. Remote Mounted Slide Handle, Exploded View.

WARNING

Remote mounted G-Force® handles must be mounted at both the top and bottom of the handle assembly. Failure to mount the remote mounted handle at top and bottom can result in poor performance and/or premature component failure.

5B.10 Attach the remote mounted handle with bracket to the tooling. Assure that the mounting arrangement does not affect the operating function of the slide handle.

5B.11 Connect the extension cable from the G360™ to the remote mounted slide handle. Securely clamp the remote mount coil cord extension cable to the tooling as needed.

CAUTION

All cables used in a remote mounted handle configuration must be properly clamped and/or strain-relieved to prevent premature failure of the G-Force® or customer tooling.

CAUTION

Take care to avoid looping excess cable at locations where the loop could catch on foreign objects.

5B.12 Continue to Step 6 on page 17.

STEP 5C - SUSPENDED PENDANT HANDLE INSTALLATION

- 5C.1** Assure that the coils of the pendant handle coil cord are centered around the pendant handle wire rope.
- 5C.2** Remove the eyebolt from suspended pendant cable assembly using the threaded connector.
- 5C.3** Thread the eyebolt into the bottom of the actuator assembly as shown (**diagram 5E**).
- 5C.4** Reattach the suspended pendant cable assembly to the eyebolt via the threaded connector.
- 5C.5** Adjust the suspended pendant cable assembly so that there is a service loop in the wiring cable and there is no tension in the wire cable.
- 5C.6** Thread the cable assembly connector into the actuator connector (**diagram 5E**).
- 5C.7** Remove the cotter pin and clevis from the wire rope swivel assembly.
- 5C.8** Reinsert the clevis and cotter pin capturing the wire rope thimble in the swivel assembly (**diagram 5F**).
- 5C.9** Continue to Step 6 on page 17.

Note: On suspended pendant equipped systems, the wire rope swivel assembly must be installed before AC power is applied to the system or a limit switch error will occur (501 / 11000 error codes). To clear this fault you will have to (must be done in this order):

1. Install wire rope swivel assembly or other weighted device on wire rope.
2. Disconnect AC power from the system (using the e-stop will not work).
3. Reconnect the AC power and wait approximately one minute for system to power on completely.

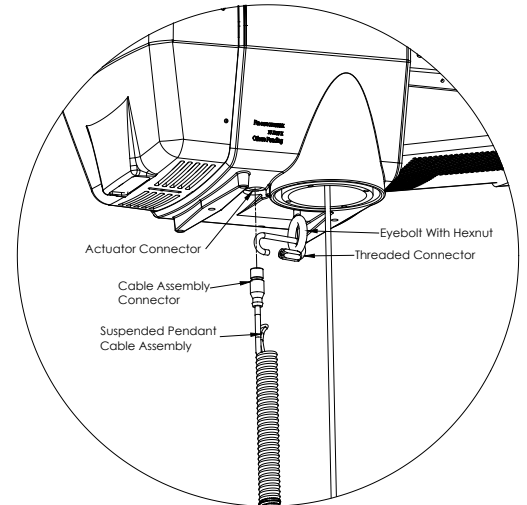


Diagram 5E. Assembly of Suspended Pendant Cable Assembly to Bottom of Actuator Assembly.

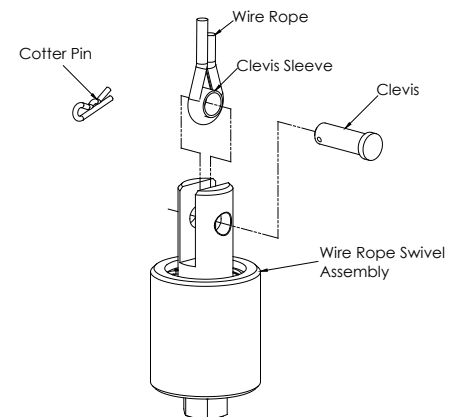


Diagram 5F. Cotter Pin, Clevis, Wire Rope Swivel Assembly and Wire Rope Thimble.

STEP 5D - REMOTE MOUNTED PENDANT HANDLE INSTALLATION

- 5D.1** Ensure the wire rope is still fed through the center of the coil cord. Hold the G360™ swivel just below the coil cord.
- 5D.2** Center the coil cord footer between the ears of the G360™ swivel. **Note:** Make sure the fin of the coil cord footer is on the opposite side of the G360™ connector.
- 5D.3** Remove the 16mm shoulder bolt from the coil cord footer and wire rope and allow the coil cord footer and wire rope to slide down into the G360™ swivel.
- 5D.4** Once the wire rope, coil cord footer and G360™ swivel are aligned, replace the 16mm shoulder bolt thereby capturing the wire rope, coil cord footer and G360™ swivel (**diagram 5G**, page 12).

STEP 5D - REMOTE MOUNTED PENDANT HANDLE INSTALLATION (CONTINUED)

- 5D.5** Thread the coil cord connector into the G360™ connector (**diagram 5G**).
- 5D.6** Thread the M12 jam nut onto the 16mm shoulder bolt.
- 5D.7** Check that the coils of the coil cord are centered around the wire rope when properly installed.
- 5D.8** A pilot hole is provided for the locking pin. Attach tooling to G360™ utilizing M16 thread. The tool bolt/rod thread should be beyond pilot hole of shaft when fully engaged. Using a #21 drill bit, drill through the tool bolt/rod thread and out the other side of G360™ shaft. Hammer pin into place thereby locking tooling to G360™ (**diagram 5H**).

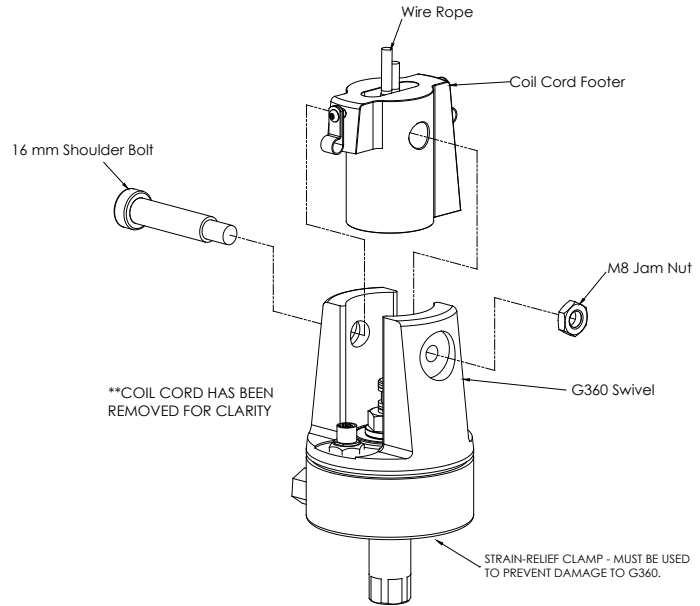


Diagram 5G. G360™, Shoulder Bolt and Coil Cord.

- 5D.9** Attach the pendant handle bracket directly to the tooling. Assure that the mounting arrangement does not affect the operating function of the pendant handle. **Note:** If necessary, a collar clamp mounting bracket option can be used to attach the pendant handle to the tooling (**diagram 5I**).

- 5D.10** Connect the extension cable from the G360™ to the remote mounted pendant handle. Securely clamp the remote mount coil cord extension cable to the tooling as needed.

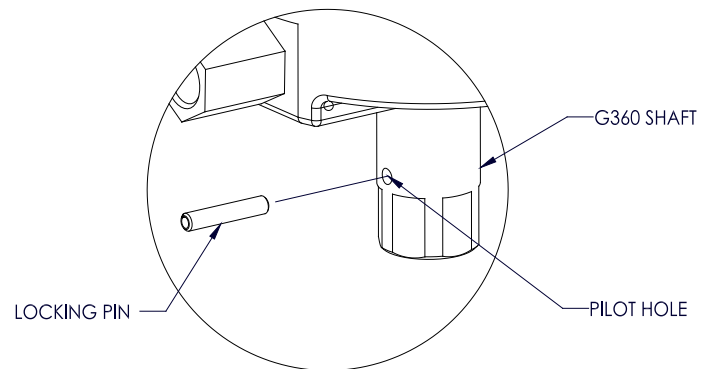


Diagram 5H. Tooling Installation.

CAUTION
All cables used in a remote mounted handle configuration must be properly clamped and/or strain-relieved to prevent premature failure of the G-Force® or customer tooling.

CAUTION
Take care to avoid looping excess cable at locations where the loop could catch on foreign objects.

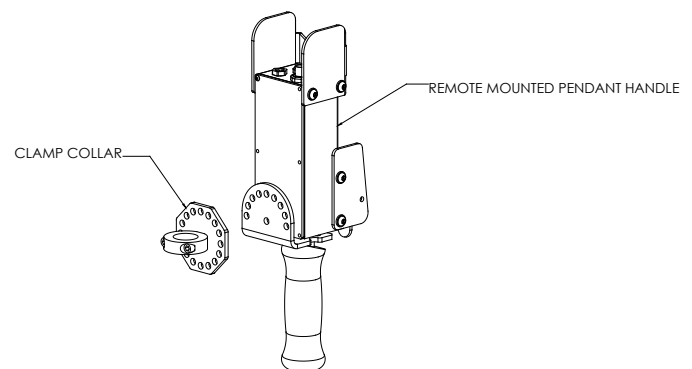


Diagram 5I. Remote Mounted Pendant Handle with Collar Clamp Mounting Bracket (Option).

- 5D.11** Continue to Step 6 on page 17.

STEP 5E - 1320 LB. INLINE SLIDE & REMOTE MOUNTED HANDLE INSTALLATION

- 5E.1** With the actuator hanging from rail or other support structure, thread the free end of the wire rope through the wear ring bracket and use the supplied hardware to attach the bracket to the actuator.
- 5E.2** Thread the free end of the wire rope through the coil cord assembly so it hangs below the coil cord mounting plate and attach the wear ring bracket using the supplied hardware (*diagram 5J*).
- 5E.3** Insert Turck connector on coil cord into mating connector on the underside of the actuator.
- 5E.4** Grab the free end of the wire rope and loop it up towards the underside of the actuator, ensuring there are no twists or kinks in the rope. Feed the U-bolt through the wire rope thimble and insert the U-bolt into the appropriate holes in the reinforcement plate. Using supplied hexnuts, securely tighten U-bolt to the plate (*diagram 5K*).
- 5E.5** Attach the plate to the underside of the actuator using the supplied cap screws, lockwashers, and spacers as shown and ensure hardware is now completely tightened. (If an air hose is being installed, leave hardware loose for now.)
- 5E.6** While holding the handle or G360™, loop the pulley through the wire rope and slip the pulley and side spacers down between the plates (*diagram 5L*, page 14).
- 5E.7** Align the holes in the plates with the spacers and the bearings, insert the pulley pin, and install the snap ring on the pulley pin.
- 5E.8** Using the supplied cap screws and lockwashers, attach the coil cord mounting plate to the top of the handle or G360™.
- 5E.9** Attach the coil cord Turck connector to the mating connector in the top of the handle or G360™ and use the supplied cap screw to attach the strain relief clamp to the side plate so there is a small service loop at the connector.
- 5E.10** Continue to Step 6 on page 17.

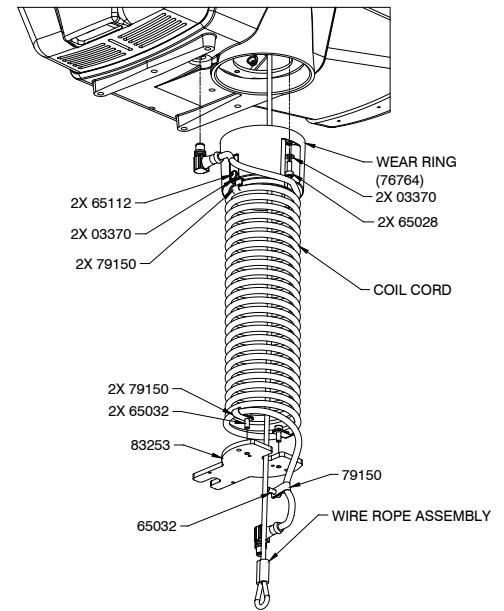


Diagram 5J. Assembly of Wire Rope to 1320 lb. Actuator Assembly.

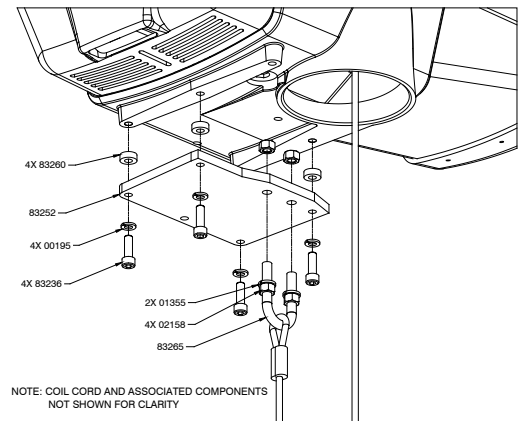


Diagram 5K. Attaching U-bolt and Reinforcement Plate to Actuator Assembly.

STEP 5F - 1320 LB. SUSPENDED PENDANT HANDLE INSTALLATION

- 5F.1** With the actuator hanging from rail or other support structure, thread the free end of the wire rope through the wear ring bracket and use the supplied hardware to attach the bracket to the actuator (**diagram 5J**, page 13).
- 5F.2** Thread the free end of the wire rope through the wear ring and attach the wear ring to the wear ring bracket using the supplied hardware.
- 5F.3** Grab the free end of the wire rope and loop it up towards the underside of the actuator, ensuring there are no twists or kinks in the rope. Feed the U-bolt through the wire rope thimble and insert the U-bolt into the appropriate holes in the reinforcement plate. Using supplied hexnuts, securely tighten the U-bolt to the plate (**diagram 5K**, page 13).

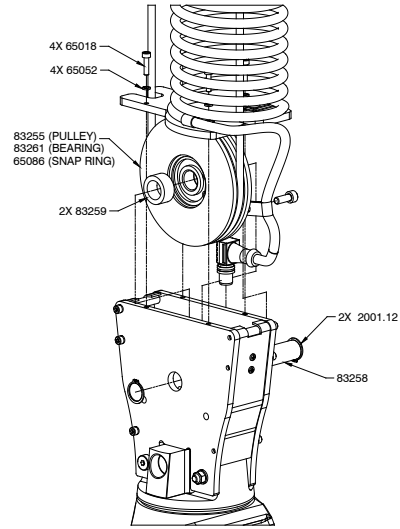


Diagram 5L. Attaching Wire Rope to Pulley.

- 5F.4** Attach the plate to the underside of the actuator using the supplied cap screws, lockwashers and spacers as shown and ensure hardware is completely tightened. (If an air hose is being installed, leave hardware loose for now).
- 5F.5** Insert eyebolt at the end of the pendant cable into the threaded hole on the reinforcement plate and tighten. Insert Turck connector into mating connector or the underside of the actuator.
- 5F.6** While holding the G360™, loop the pulley through the wire rope and slip the pulley and side spacers down between the plates (**diagram 5L**).
- 5F.7** Align the holes in the plates with the spacers and the bearing, insert the pulley pin, and install the snap ring on the pulley pin.
- 5F.8** Using the supplied cap screws and lockwashers, attach the coil cord mounting plate to the top of the G360™.
- 5F.9** Continue to Step 6 on page 17.

STEP 5G - 1320 LB. AIR HOSE ASSEMBLY INSTALLATION (OPTIONAL)

- 5G.1** The air hose assembly comes attached to the wear ring and coil cord mounting plate. Once the handle installation is complete, the air hose should be installed.
- 5G.2** Remove two of the screws and lockwashers holding the reinforcement plate to the underside of the actuator (leaving the spacers in place) and insert them through the air hose bracket and reattach to the underside of the actuator. Tighten all hardware.
- 5G.3** At the handle or G360™, insert the male swivel fitting at the end of the air hose into the female end of the elbow in the footer and tighten.
- 5G.4** Connect the bulkhead fitting on the underside of the actuator to shop air and check for leaks.

STEP 5H - REMOTE MOUNT FORCE SENSING SLIDE HANDLE INSTALLATION

- 5H.1** Follow Steps 5B.1 through 5B.7 on pages 9 and 10 to install G360™.
- 5H.2** Bracket (by others) must be sized to fit the handle it will be holding and rigid enough to resist the forces exerted on it (**diagram 5M**).
- 5H.3** Using the included M16 hardware, fasten both ends of the handle to the bracket. Attach bracket to tooling if necessary.
- 5H.4** Connect cable from G360™ to handle top. Clamp the cable to tooling to prevent it from being snagged.
- 5H.5** Continue to Step 6 on page 17.

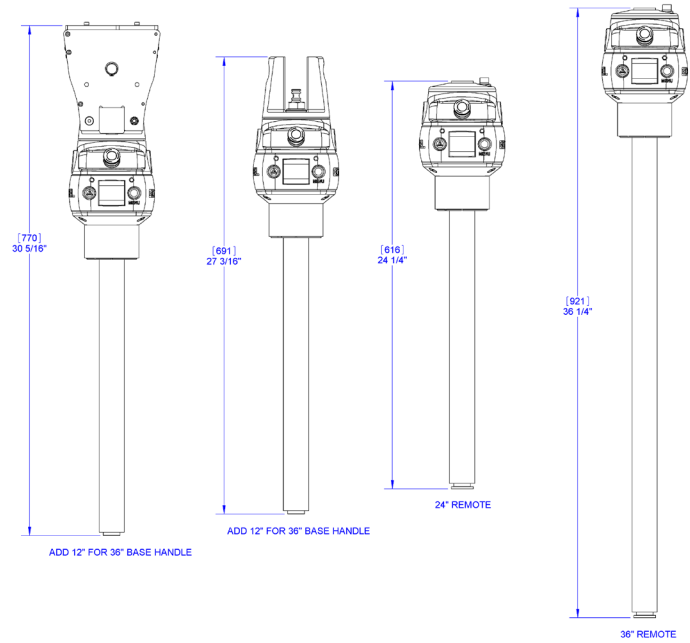


Diagram 5M. Force Sensing Slide Handle bracket sizes.

- Note:** The system cannot support two Force Sensing Handles running simultaneously on one G-Force®. If dual handles are required, one Force Sensing Handle and one traditional handle is a supported configuration.
- Note:** Due to the nature of the Force Sensing Slide Handle, excessive twisting of the grip may be interpreted as intended motion. For best results, only push and pull the handle grip while avoiding twisting (**diagram 5P**).
- Note:** To avoid damaging the handle, do not apply more than 200 lbs (90 kg) to the grip or handlebars.

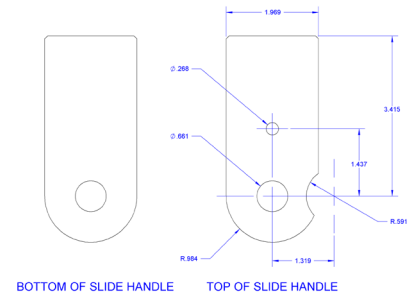


Diagram 5N. Remote handle mounting dimensions.

- Note:** Remote handles must be mounted rigidly in order to function correctly. For Slide handles, the mounting holes on the tooling must be aligned to avoid any binding of the handle and the bolts at each end of the handle must be tightened enough to prevent motion but not induce bending. The included rubber washers must be mounted between the handle and tooling to prevent binding. Additionally the handle must be captured via the hole in the top cap to prevent rotation (see **diagram 5N** for suggested bracket dimensions). For Hub handles, the back of the handle body must be securely fastened to the tooling.
- Note:** Do not attach anything to the grip of the Slide Force Sensing Handle as performance will be degraded.
- Note:** Changing the orientation of the handle (tilting) while the system is live may be interpreted as intent to move. It is recommended that the handle remains vertical at all times during use.
- Note:** When taring the handle, care must be taken not to apply force to the grip or handlebars as subsequently removing the force will be interpreted as intent to move.
- Note:** For optimal performance, re-taring the handle periodically may be necessary. The interval will depend on usage.

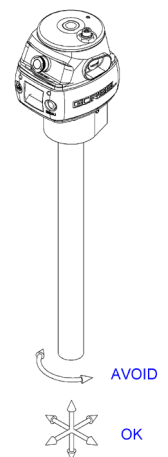


Diagram 5P. Proper use of Force Sensing Handle grip.

STEP 5I - REMOTE MOUNT FORCE SENSING HUB HANDLE INSTALLATION

WARNING

This handle is only intended for remote mount applications and must not be used for transmitting lifting loads.

5I.1 Follow Steps 5B.1 through 5B.7 on pages 9 and 10 to install G360™.

5I.2 Mount Hub body to tooling rigidly to resist forces exerted on it. Optional mounting plate 74136 is available. See **diagram 5Q** for dimensions for mounting directly to tooling.

5I.3 Attach handlebars to Hub. Handlebar kit (74630) is available or handlebars may be fabricated (by others). Optional handlebar mounting plate 74138 (with clamp collars) or 74141 (plain for modification by integrator) are available. See **diagram 5R** for dimensions for fabricating a custom solution.

5I.4 Connect cable from G360™ to handle top. Clamp the cable to tooling to prevent it from being snagged.

5I.5 Continue to Step 6 on page 17.

Note: The system cannot support two Force Sensing Handles running simultaneously on one G-Force®. If dual handles are required, one Force Sensing Handle and one traditional handle is a supported configuration.

Note: Handlebars and attachments for Remote Force Sensing Hub Handles must not exceed 25 lb (11.3 kg). For optimal performance, handlebar assemblies should be as light as possible. Handlebar weight in excess of 10 lbs (4.5 kg) will detract from net capacity of the G-Force®.

Note: For optimal performance and to reduce the risk of damaging the handle, handlebars on Remote Force Sensing Hub Handles should not exceed 24" (0.6m) (12" or 0.3m in either direction) in width or 24" (0.6m) from the face of the handlebar mounting plate (**diagram 5S**).

Note: To avoid damaging the handle, do not apply more than 200 lbs (90 kg) to the grip or handlebars.

Note: Remote handles must be mounted rigidly in order to function correctly. For Slide handles, the mounting holes on the tooling must be aligned to avoid any binding of the handle and the bolts at each end of the handle must be tightened enough to prevent motion but not induce bending. The included rubber washers must be mounted between the handle and tooling to prevent binding. Additionally, the handle must be captured via the hole in the top cap to prevent rotation (see **diagram 5N**, page 15, for suggested bracket dimensions). For Hub handles, the back of the handle body must be securely fastened to the tooling.

Note: When taring the handle, care must be taken not to apply force to the grip or handlebars as subsequently removing the force will be interpreted as intent to move.

Note: For optimal performance, re-taring the handle periodically may be necessary. The interval will depend on usage.

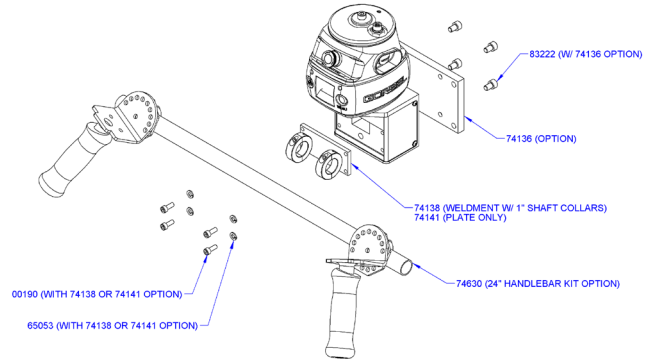


Diagram 5Q. Mounting handlebar and mounting plate.

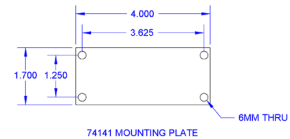
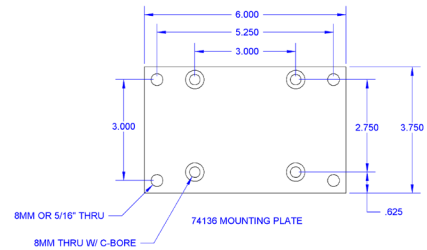


Diagram 5R. Mounting plate dimensions.

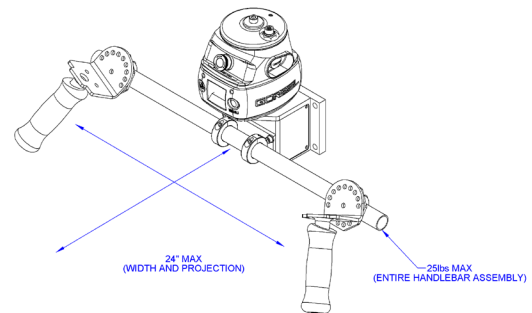


Diagram 5S. Handlebar dimensions.

STEP 6 - ELECTRICAL POWER CONNECTION

 **TIP:** Do not connect main power until all assembly is complete.

STANDARD

- 6.1 Prior to final wiring, inspect the entire system to ensure that all connections are seated properly and are without kinks or bends. Verify the following connections:
- Coil cord to handle or G360™ collector
 - Coil cord to actuator assembly
 - Extension cables (if included)
- 6.2 Connect a 220 VAC single-phase power source through a disconnect switch (by others) to the festooned power cabling (not provided with G-Force®).

WARNING

If your system displays drive faults 7219 and 4005 either when it powers on or when you attempt to lift or lower a load it means the AC power is too low. Even though the specification is 220 VAC +/- 10%, the power available at the system may be very close to the low end of the specification because of its proximity to the power source. The closer to the nominal 220 VAC you are supplying to the system the less likely you'll experience any problems related to the AC voltage.


- 6.3 Wire the female receptacle (provided) to the end of the festooned power cable.
- 6.4 After verifying the disconnect switch is turned **OFF**, connect the newly installed receptacle to the male plug at the G-Force®.

STEP 7 - INITIAL POWER-UP


- 7.1 Turn on the disconnect switch (by others) to apply power to the G-Force®. When power is detected, "POWER ON" is displayed on the LCD.
- 7.2 Disengage the emergency stop (E-stop) button located on the front face of the handle.
- 7.3 During the system power up the LCD at the handle will display "UNIT POWER-UP". If you are using a Force Sensing Handle, after power is applied to the system and the unit has booted, fault 11008 will usually be displayed indicating that the handle needs to be tared. See page 31 for taring procedure.
- 7.4 Once the system is on-line and ready, "LIFT READY" will be displayed on the LCD.
- 7.5
- Standard Operation - Slide Handle Configuration:** Grasp the handle grip to run the unit up and down. Do this several times to get a feel for the unit. The LCD displays RUN MODE HANDLE.
 - Standard Operation - Pendant Handle Configuration:** Depress the up and down levers to run the unit up and down. Do this several times to get a feel for the unit. The LCD displays RUN MODE PENDANT.

Note: The LCD backlight will shut off after 10 minutes of inactivity.

See the Lift Functionality section on page 22 for complete details on handle operation.

 **TIP:** The operator should always keep their hand under the operator present sensor on the slide handle while operating the unit in standard mode. If the hand is frequently moved away from the operator present sensor it will result in jerky movement from the unit.

- 7.6 Finally, test the operation of any special tooling that may have been integrated to the G-Force®.

 **TIP:** Gorbels, Inc., does not provide integrated tooling for the G-Force®. All tooling related questions should be directed to the tooling manufacturer or supplier.

STEP 8 - FLOAT MODE AND FINAL STEPS

► **TIP:** Gorbel® Inside Sales is available from 7am to 7pm Eastern Time Monday - Thursday and 7am to 5pm Eastern Time Friday.

8.1 Float Mode may be activated by simply pressing the G-Force® logo button on the left hand side of the handle (**diagram 8A**). Below is a simple exercise to practice if you are not familiar with the Float feature. (This exercise assumes an in-line slide handle is being used).

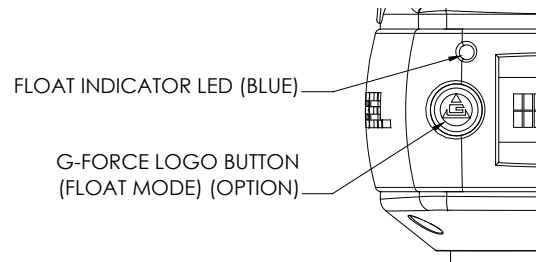


Diagram 8A. Float Mode Button - Slide Handle.

- A) Grasp the handle grip and lift an object weighing at least 20 lbs. (9 kg) to a comfortable height in front of you.
- B) Let go of the handle grip.
- C) Press the G-Force® logo button on the handle. **Note:** Do not hold onto the load. Applying an upward or downward force on the handle or load while initiating Float Mode will give the unit a false reading and cause excessive drift.
- D) After Float Mode is initialized, the “blue” LED light will turn on and the handle with payload should not be moving. The LCD will display RUN MODE FLOAT.
- E) Now grasp the load.
- F) To move the load down, put vertical pressure on the load downward, towards the floor. To move the load up, lift up on the load, towards the ceiling. **Note:** The direction and speed of travel is now being controlled by the amount of force that the operator exerts directly onto the load. The higher the force exerted on the load, the faster the unit moves. **Note:** An over-speed detection routine checks if Float Mode reaches 90% of the maximum fully loaded lifting speed and shuts the unit down. It safely limits the maximum speed of travel in Float Mode.
- G) Run the unit up and down several times (at least 20 times in each direction) to assure proper operation. Float Mode should provide a smooth feel.

CAUTION

Actuating the operator present switch while in Float Mode will cause the unit to exit Float.

- H) Repeat this exercise until you become comfortable with Float Mode.

STEP 8 - FLOAT MODE AND FINAL STEPS (CONTINUED)

WARNING

NEVER remove the load from the G-Force® while still in Float Mode. The control system will interpret the removal of the load as operator intent to lift the load. Therefore, the unit will begin to drift up. The speed of the unit drift directly correlates to the weight that was removed from the unit. The heavier the weight, the faster the unit will travel.

WARNING

In Float Mode, the live load weight CANNOT be increased or decreased because this will cause unwanted motion. Float Mode must be reinitiated each time the weight of the live load is changed.

CAUTION

If external forces are applied to the load while Float Mode is being initiated, the G-Force® will calculate a baseline weight that is higher or lower than the actual weight being lifted. When the external force is removed, the load will begin to drift in the opposite direction of the load that was applied.

- 8.2 The speed, acceleration, and other features of the G-Force® can be adjusted using the Program Menu available at the handle. **See the Program Mode section on page 26 for complete details on modifying and programming features.**
- 8.3 Please contact the Gorbel® factory (585-924-6262) if any of the following occur.
DO NOT ATTEMPT TO REPAIR UNIT YOURSELF.
- Excessive noise
 - Unexpected operation
 - Change in performance
 - Damage or excessive wear to unit components
 - Questions about the unit arise

Please do not be limited by these items only.

- 8.4 Keep Packing List, Installation & Operation Manual, Drawings, and any other inserts filed together in a safe place for future reference.

STEP 9 - EXPANSION I/O BLOCK MOUNTING INSTRUCTIONS (OPTION)

TIP: Expansion I/O block mounting instructions only apply to iQ units with an I/O block.

DIMENSIONS

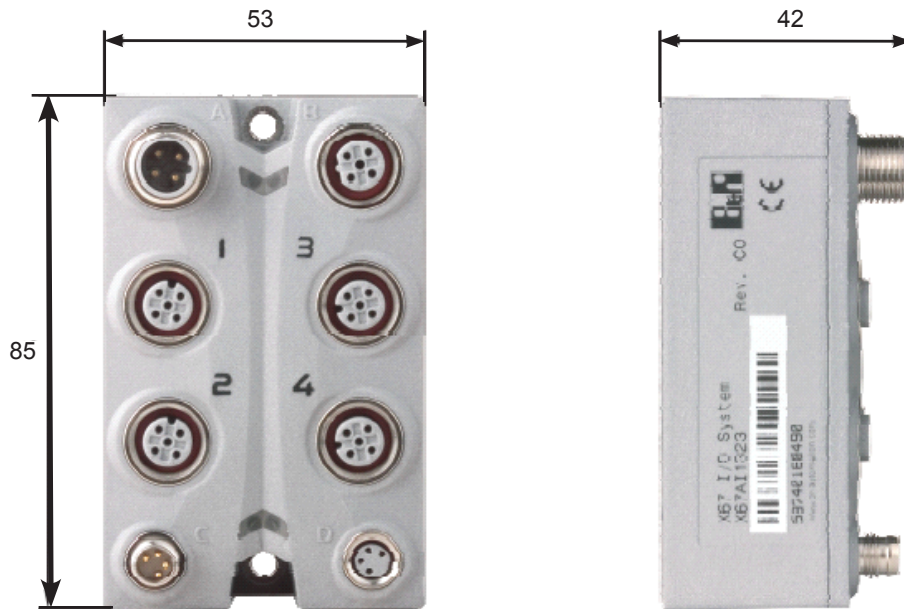


Diagram 9A. Expansion I/O block dimensions (millimeters).

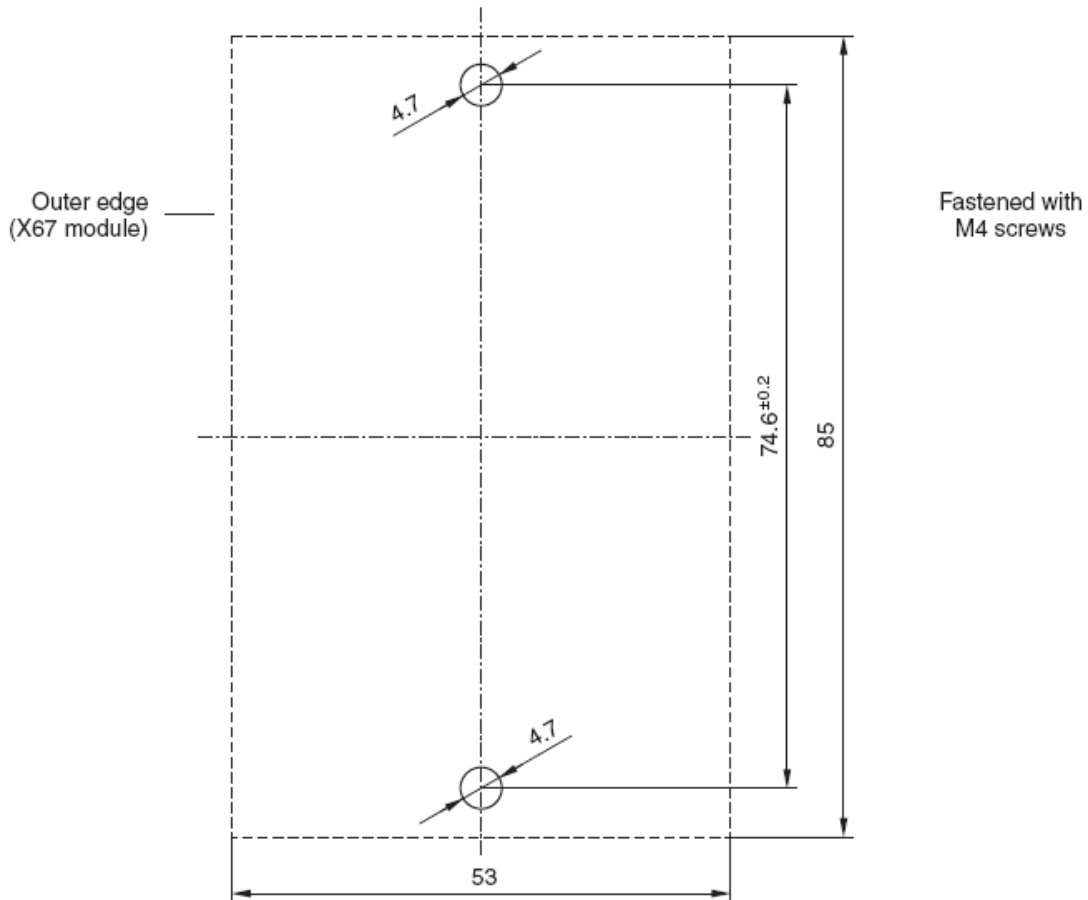


Diagram 9B. Screw fastener drilling template.

This page intentionally left blank.

LIFT FUNCTIONALITY

Standard Operation - Slide Handle Configuration:

When the device is in the standard operational mode, the sliding grip of the handle controller commands the z-axis (vertical) direction and speed of the lift (**diagram A**). The handle grip has a center neutral position and can slide up and down to provide up and down speed commands to the control system. The further the handle grip is displaced from the neutral position the faster the servo movement to lift or lower the load. The operator controls the slide handle location by grasping the handle grip and moving it up and down as if it were an extension of the operator's arm. The lift moves slightly slower when a load is lifted, thereby giving the operator some feel for the weight of the load.

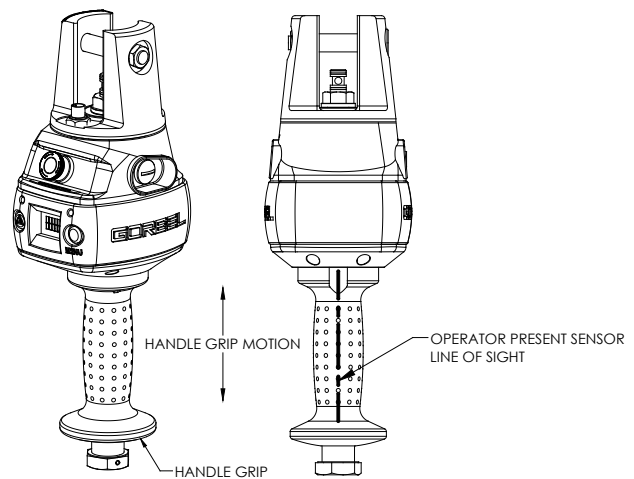


Diagram A. Slide Handle - Handle Grip and Operator Present Sensor Line-of-Sight.

For safety, an operator present sensor (OPS) within the slide handle must be activated by the operator before the motor will activate (**diagram A**). If the operator removes their hand from the OPS' line-of-sight, the G-Force® and payload will be brought to a safe stop.

WARNING

Do not mount any objects to the G-Force® slide handle grip (i.e. switches). Additional objects may interfere with the travel of the sliding handle grip and affect the overall speed and functionality of the unit.

Standard Operation - Pendant Handle Configuration: When the device is in the standard operational mode, the up and down levers command the z-axis direction and speed of the lift (**diagram C**, page 23). The further the up or down lever is depressed, the faster the servo movement to raise or lower the load.

Standard Operation - Force Sensing Slide Handle: The grip on the handle is connected to a force sensing device so that when the user applies force up or down along the central axis of the handle this is interpreted as intent to move. Speed of the unit is proportional to the amount of force applied. Forces in lateral directions are not detected. **Note:** There is no traditional OPS. When the force applied to the handle exceeds a small threshold, the unit activates.

Standard Operation - Force Sensing Hub Handle: Handlebars (Gorbel® optional kit 74630, or by others) are attached to a mounting plate which in turn is connected to a force sensing device so that when the user applies a vertical force up or down, this is interpreted as intent to move. Speed of the unit is proportional to the amount of force applied. Forces in lateral directions are not detected. **Note:** There is no traditional OPS. When the force applied to the handle exceeds a small threshold, the unit activates.

Emergency Stop Button: When depressed, the emergency stop (E-stop) button disables the actuator. The E-stop button is located on the face of the handle (**diagram B**, page 23). The G-Force® will operate only when the E-stop has been reset. The LCD will display E-STOP ENGAGED. **Note:** On Force Sensing Handles, the E-stop (or E-stops if dual handles are used) should be engaged or power should be disconnected before removing the Force Sensing Handle as undesired motion may occur if the handle is removed while the system is live.

Float Mode: In this mode, the operator can simply maneuver the payload directly and cause the load to raise or lower by applying either an upward or downward force on the load. The greater the force applied, the faster the load will move. Note: There is a standard setting in the controls that safely limits the maximum speed of travel in Float Mode; this setting is not adjustable. If the limit is exceeded, the unit will return to standard operation and the LCD will display LIFT READY.

Float Mode is initiated by simply pressing the G-Force® logo button on the left side of the handle (**diagram B** or **C**, page 23). See Step 8, page 18, for complete details on Float Mode operation.

LIFT FUNCTIONALITY (CONTINUED)

Program Mode: In this mode, the operator can control speed, acceleration, service features and other variable settings (*diagram B or C*). See the **Program Mode section, page 26, for complete programming functionality located at the handle.**

Float Mode LED (Blue): If the unit is equipped with Float Mode (option), the “Float Mode” enabled LED will illuminate when the G-Force® logo button is pressed on the hand controller and Float Mode has been correctly initiated. This LED is located just above the G-Force® logo button (*diagram B or C*).

System Fault LED (Red): The “System Fault” LED flashes when basic faults have been detected by the control system. If a fault has occurred, the system will be disabled. This LED is located just above the MENU button (*diagram B or C*).

Diagnostic Mode: The Diagnostic Mode is a special program within the Program Mode under the Service menu that will allow a technician to measure or monitor the state of select switches and other electronic components in the actuator and either the slide or pendant handle. It is intended to be used for troubleshooting purposes only. The user can choose a single or multiple components. The E-stop must be cycled off/on to exit this particular program.

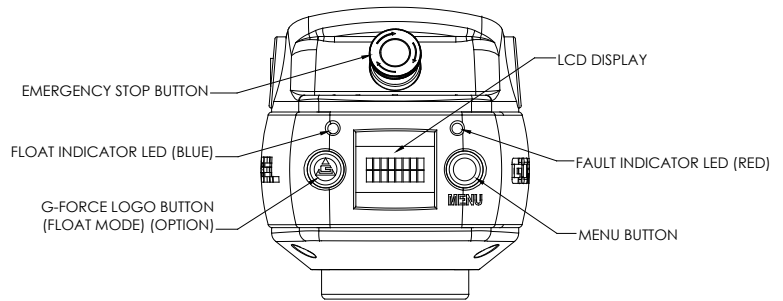


Diagram B. Slide Handle - G-Force® Logo (Float Mode), MENU and Emergency-Stop Buttons and LEDs.

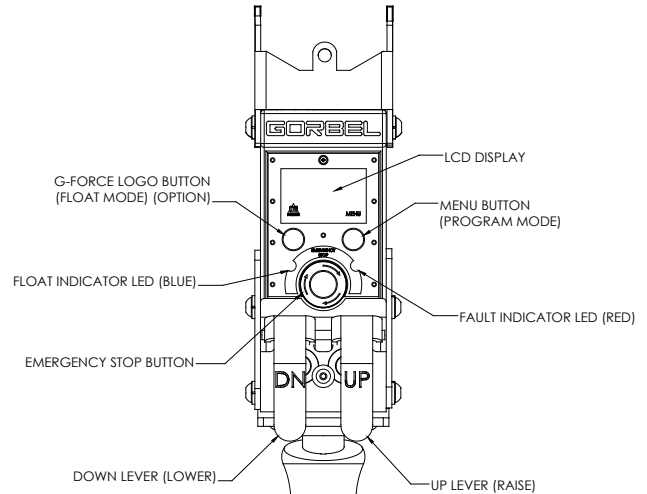


Diagram C. Pendant Handle - G-Force® Logo (Float Mode), MENU and Emergency-Stop Buttons and LEDs.

WARNING

In Float Mode, the live load weight cannot be increased or decreased because this will cause unwanted motion. Float Mode must be reinitiated each time the weight of the live load is changed.

WARNING

Enabling the operator present sensor while in Float Mode will cause the unit to exit float.

Overload: The servo controller will prevent the lift from moving upward if loaded beyond the maximum capacity of the G-Force®. When an overload condition is sensed the lift is prevented from moving upward. The red and blue LEDs will flash and LIFT OVERLOAD will be displayed on the LCD to indicate to the operator the unit is overloaded. The lift may be moved down to allow for the safe removal of the load.

Limit Switches: The G-Force® is equipped with both mechanical upper and lower limit switches, located in the actuator assembly. When the upper limit switch is triggered, the upward motion of the lift stops quickly at a controlled deceleration rate. The controlled deceleration rate guarantees the load cannot come off the hook. When the upper limit is triggered the lift will move down but not up. The lower limit is set so that a minimum of two full wraps of wire rope remain on the drum pulley at all times. When the lower limit switch is triggered, the downward motion of the lift stops quickly at a controlled deceleration rate. When the lower limit is triggered, the lift will only move up and not down.

LIFT FUNCTIONALITY (CONTINUED)

Slack Switch: The G-Force® is equipped with a slack switch that senses tension in the wire rope and trips when the wire rope develops slack. The switch is located inside the actuator assembly. When the slack switch senses slack in the wire rope, downward movement of the lift is stopped to minimize the amount of wire rope unwound from the drum pulley. When slack in the wire rope is sensed, the lift will only move up but not down.

Remote Mounted Handle (System Option): The lifting device is capable of operating with the handle displaced from the wire rope (not in-line with the wire rope). For example, if an end user has tooling that is too large for the operator to safely reach and operate the handle in the standard in-line position, remote mounting the handle is recommended. The tooling must be mounted (and balanced) on the end of the wire rope, while the handle can be remote mounted to the tooling.

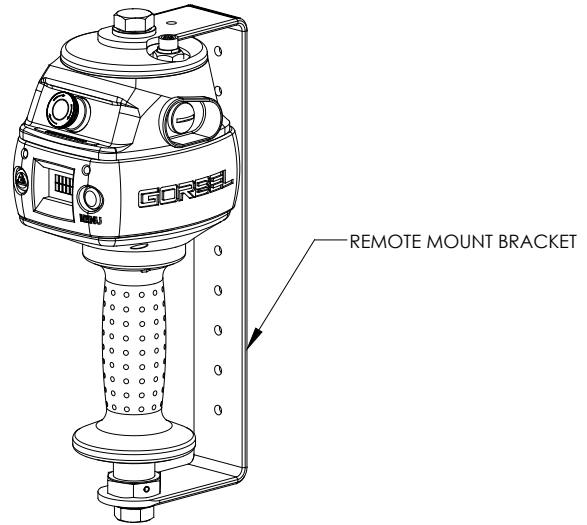


Diagram D. Remote Mounted Slide Handle with Gorbels® Bracket.

WARNING

The tooling **MUST** be attached to the end of the wire rope with the G360™ swivel assembly (supplied by Gorbels, Inc.). Failure to mount the tooling with a swivel assembly can result in premature failure of both the wire rope and the coil cord.

WARNING

All tooling must be retained to the G360™ assembly utilizing the M16 thread and locking pin provided.

The remote mounted handle is linked to the coil cord via an extension cable. The handle operates exactly the same as if it were mounted in-line. The end user must supply Gorbels with the required length of the extension cable such that it can be safely routed and clamped to the tooling.

CAUTION

Always include the distance for bends and turns when providing the extension length.

WARNING

Ensure that the slide handle is supported properly in remote mounted handle applications by restraining the slide handle at both the top and bottom mounting points (*diagram D*).

CONTROLS INTERFACE FEATURES

The jog switch push buttons and communications connector are protected by a cover (*diagram E*). To access the jog switch push buttons and communications connector, loosen the M4 screw and slide the shield back towards the wire rope. **Note:** Do not fully unthread the M4 screw. When finished, slide the shield back into place and re-tighten the M4 screw.

Jog Switch Push Buttons: The jog switch buttons allow qualified personnel to replace the wire rope on the unit. To effectively operate the jog switch buttons, all electrical cables must be connected and power on. Depressing the “Up” jog switch button will enable the motor and cause the system to reel the wire rope into the actuator and onto the drum pulley. Depressing the “Down” jog switch button will enable the motor and cause the system to pay out the wire rope from the actuator and off of the main pulley. Jog switch push buttons override all motion control from a handle or tooling.

WARNING

The jog switch buttons are for system maintenance and load testing use only and should not be manipulated during normal operation of the G-Force®. Operation of the jog switch buttons during normal operation increases the risk of personal injury to the operator.

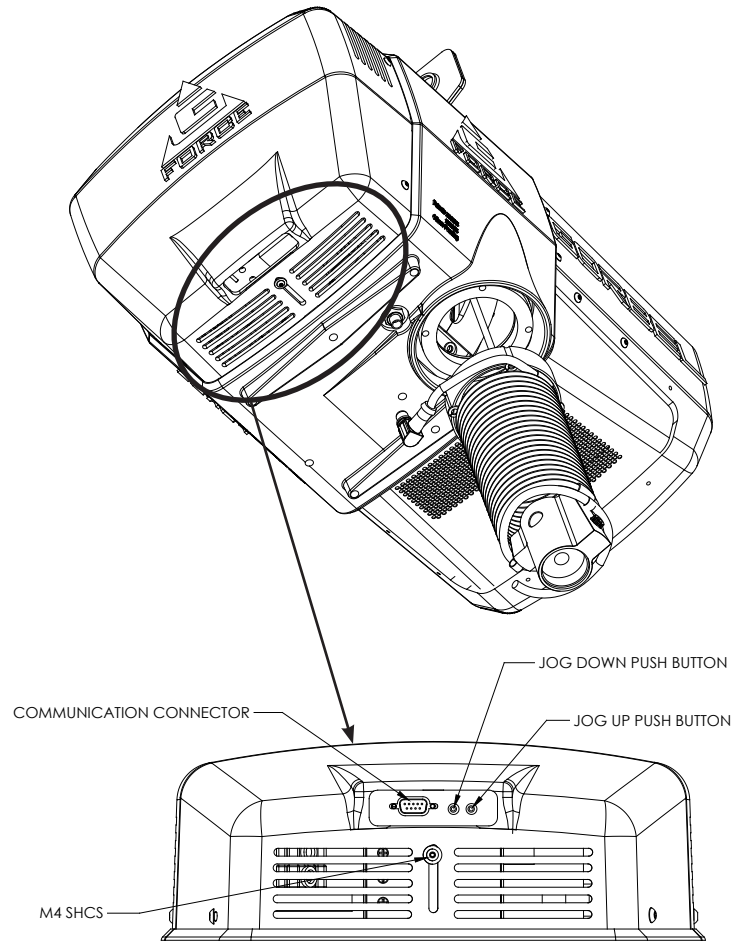


Diagram E. Actuator - Controls Interface Display (as viewed from bottom of actuator).

Service Mode: This operation mode is similar to the “safe mode” of a PC. In this state all handle motion control and Q & iQ custom features are disabled, all digital outputs are turned off, and only basic jog up, jog down, LCD display and safety program mode are available. It allows a minimum safe operation on a unit with a damaged handle, broken I/O electronics or other damaged peripheral control components that would make it dangerous to run the unit if the component is used. The unit is still inoperative if actuator components such as the drive, motor, or jog switches are damaged. To activate service mode, with the handle E-stop pushbutton released and the LCD screen displaying LIFT READY, press and hold both jog pushbuttons on the actuator for ten seconds. Both the blue and red LEDs flash once per second and the LCD displays SERVICE MODE when the operation mode is ready.

Communications Connector: This connector is the communications port for the G-Force®. With the program kit (option), provided by Gorbel, users may connect to the G-Force® to upload software programs or use the G-Force® Visual Basic program.

PROGRAM MODE

Overview (Software Version R1.07.1)

Program Mode is used to control and adjust all of the features on the Q and iQ series G-Force®. Before entering Program Mode review the **Program Mode Menu outline, Chart D, pages 31-35.**

Note: Force Sensing Handles are not supported on units running software version R1.07.2 or earlier. Contact Gorbel for information on software updates.

Using Program Mode

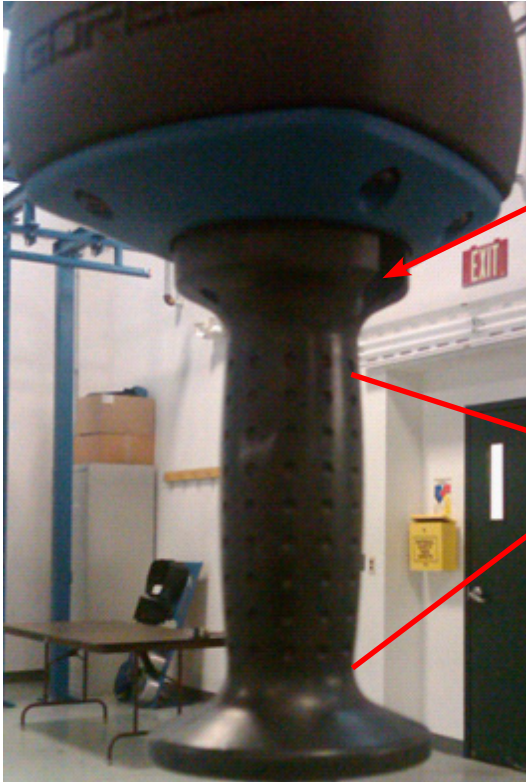
Program Mode is initiated by following the steps below. Reference **diagrams B** and **C** on page 23 for button locations.

Entering Program Mode (chart A, page 28):

1. **Press and Hold** the MENU button (right-hand side of handle) for two seconds to activate Program Mode.
2. After two seconds, release the MENU button. The red and blue LEDs will illuminate and “PROGRAM MODE” will be displayed for one second. Then the first menu will be displayed.
 - Q unit: SPEED MENU (default). **Note:** If the Virtual Limits Package has been ordered, the Virtual Limits Menu (V-LIMITS) will appear first.
 - iQ unit: V-LIMITS MENU
3. Press the MENU button to toggle between menus. The LCD will display the corresponding programmable menus:
 - V-LIMITS MENU - Virtual Limits menu (**option**)
 - SPEED MENU - Lift Speed adjustment
 - RESPONSE MENU - Lift Response (acceleration) adjustment
 - SETTINGS MENU - Programmable Features on both the Q and iQ units
 - SETTINGS MENU 2 - Programmable Features on iQ units only (**iQ only**)
 - LED MENU - Program the LED lights (**iQ only**)
 - SERVICE MENU - Customize and manage maintenance and service features
 - CONFIGUR MENU - Special unit features and hardware configurations
4. Once you have reached the menu you would like to enter, press the G-Force® logo button.
5. The first programmable feature in that menu will be displayed. **Chart D**, pages 31-35, displays a full list of all the menus and programmable features under each menu.
6. To move to the second programmable feature press the G-Force® logo button again.
7. **Note:** If the MENU button is pressed after Step 4, the selection is cleared and the LCD displays the next program menu.
8. Once the desired feature is selected wait three seconds.
9. After displaying the feature text for three seconds, the request is executed. The LCD will flash the feature text several times to indicate the command is being executed.
10. After the command is executed, the system returns to standard operation, and the LCD displays “LIFT READY”.

PROGRAM MODE (CONTINUED)

Handle Operation



Make sure to keep fingers clear of the photo sensor area when in program mode. Breaking the photo sensor will drop the unit out of program mode and you will need to start over again.

When making changes in program mode, do not break the beam of the photo sensor until the new setting has been completed. The display must be allowed to flash three times before the handle is gripped. Breaking the sensor beam before the display flashes three times will cancel the change and drop the unit out of program mode and you will have to start over.

When the unit is not in program mode, press and release this button to initiate float mode.

When the unit is in float mode, use this button to select the desired item within the menu by pressing and releasing to advance to the next selection



Press and hold this button for approximately three seconds until the unit enters program mode. Once in program mode, this button is used to select the desired menu. Press and release this button to advance to the next menu. If you happen to accidentally pass by a menu, it will come around again if you continue to press and release this button.

If you stay on a menu item selection for approximately three seconds, the display will blink three times and the change will be made. Keep advancing through the menu items quickly until you are certain of the change you want to make. Otherwise, you may accidentally make an undesired change.

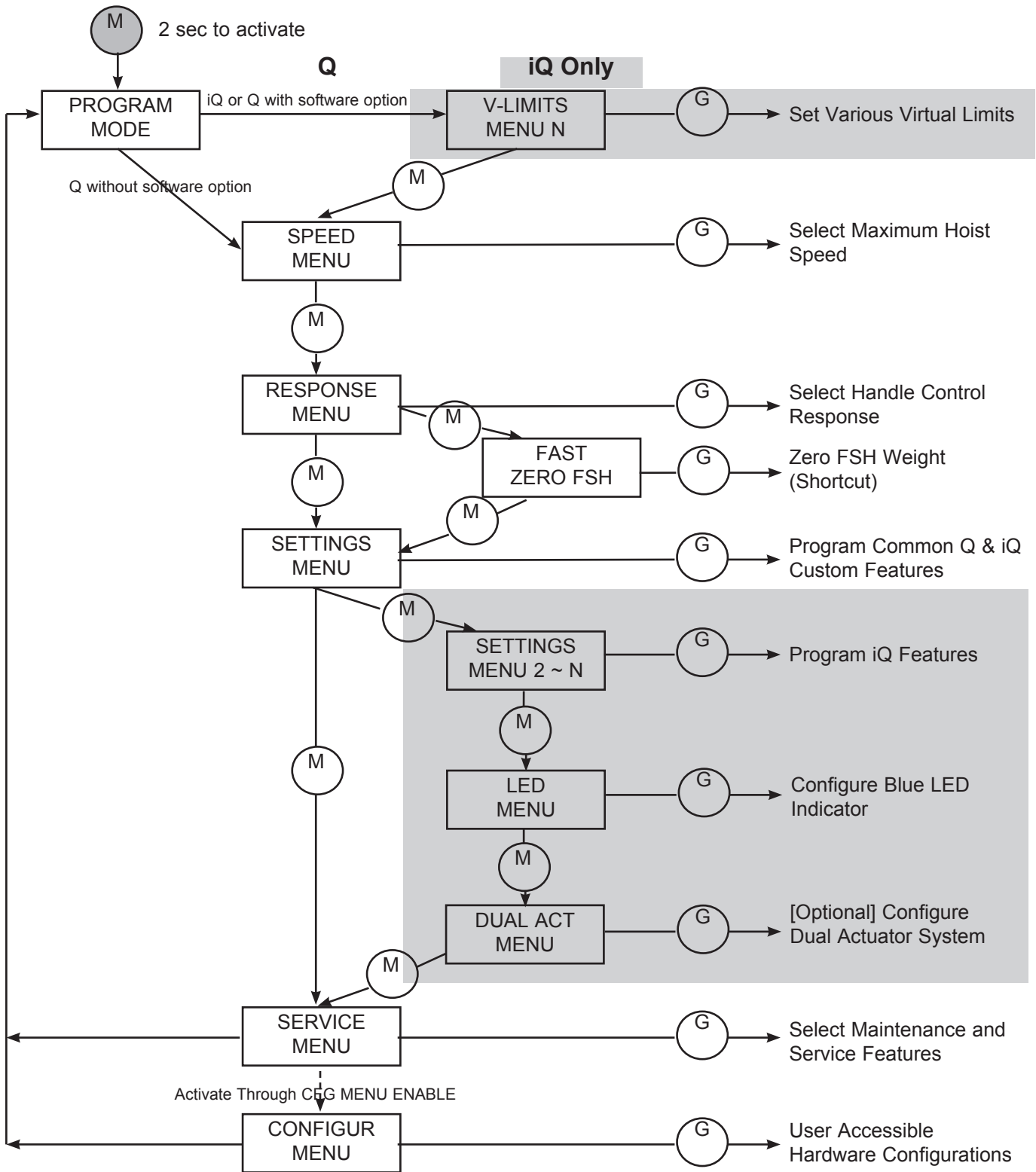
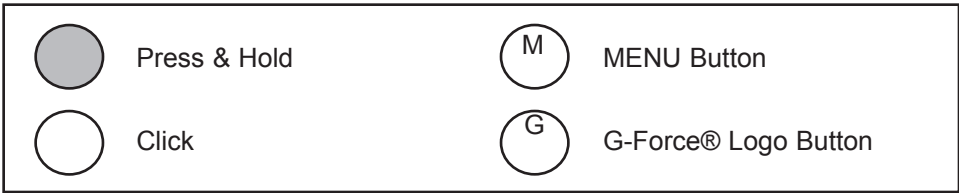


Chart A. Program Mode Process.

PROGRAM MODE (CONTINUED)

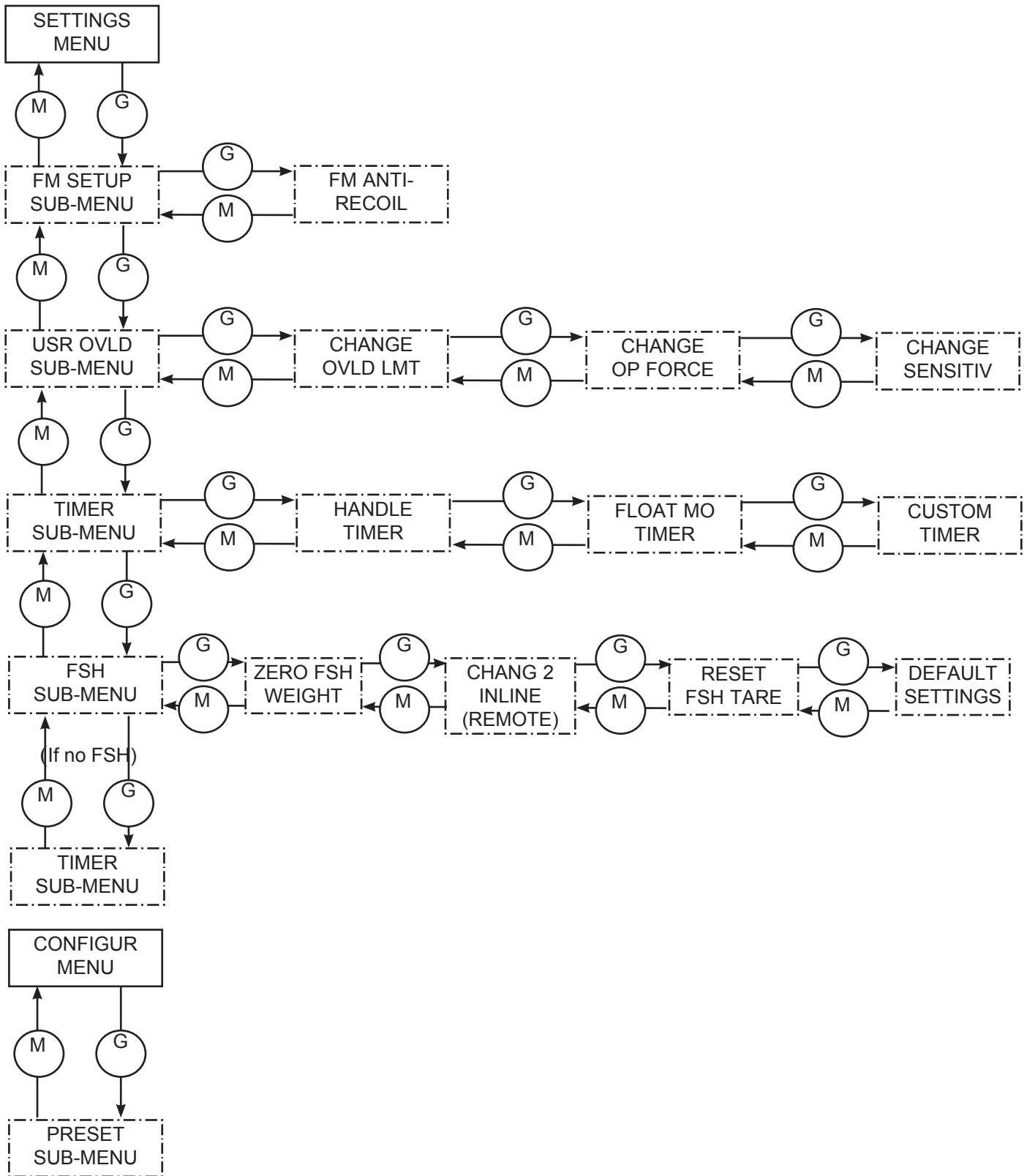


Chart B. Program Mode Main Menu (Solid Border) and Sub-Menu (Dotted Border) Layouts.

PROGRAM MODE (CONTINUED)

Lockout Feature (chart C)

To prevent tampering in Program Mode, a Lockout Feature is available.

To Lockout Program Mode:

1. Press both the G-Force® logo button and the MENU button simultaneously for five seconds.
2. The LCD will display “LOCKOUT CHECK” while both buttons are being depressed.
3. After five seconds, “PROGRAM LOCKED” will be displayed to confirm the Lockout was successful.

If Program Mode is requested after the Lockout has been enabled, the LEDs will flash twice to indicate Program Mode is not accessible and “PROGRAM LOCKED” will be displayed again.

To Unlock Program Mode:

1. Press both the G-Force® logo button and the MENU button simultaneously for five seconds.
2. The LCD will display “UNLOCK CHECK” while both buttons are being depressed.
3. After five seconds, “PROGRAM UNLOCKED” will be displayed to confirm the Lockout was successful.

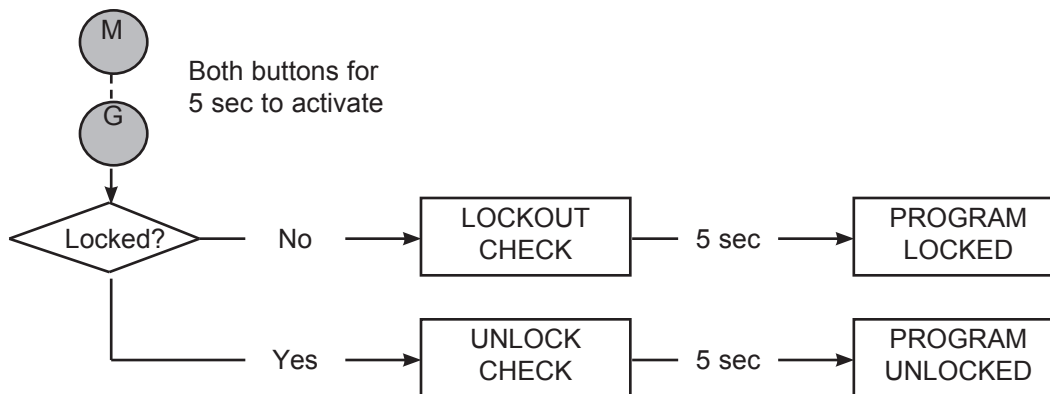


Chart C. Lockout Feature Process.

Safety Program Mode

If the G-Force® has detected a fault or is running in SERVICE MODE, only a limited set of menus are accessible.

For example, if the G-Force® records a fault, when Program Mode is activated the LCD will display “LIMITED PRG MODE” rather than “PROGRAM MODE”. Safety Program Mode can be navigated just as Program Mode would be, however the only menus available are:

- V-LIMITS MENU - Virtual Limits menu (*option*)
- SPEED MENU - Lift Speed adjustment
- RESPONSE MENU - Lift Responsiveness (Acceleration) adjustment
- SERVICE MENU - Customize and manage maintenance and service features

VIRTUAL LIMITS WARNINGS

WARNINGS

If the upward speed reduction point is being used to reduce the impact of engaging the load “on the fly” (i.e. catching the load with a hook while the G-Force® is already in motion in the upward direction), care must be taken to ensure the speed reduction takes place before the load is engaged. Please program the Upper Slow Down Reduction point at least half an inch below the exact point of pick-up.

Note: Setting the upper and lower virtual limits to the same position will cause the unit to not travel in either direction.

PROGRAM MODE (CONTINUED)

Program Mode	Menu	LCD Text	Feature Description
Virtual Limits (VL) Menu*,**,*** (also available for Q unit with Software Package)	V-LIMITS MENU ^{1,2}	UPPER LIMIT	Program the upper virtual limit (load must be at desired position for upper limit).
		LOWER LIMIT	Program the lower virtual limit (load must be at desired position for lower limit).
		LOWER SLOW DN	Program the lower slow down reduction point (load must be at position where slow-down begins when descending).
		UPPER SLOW DN	Program the upper slow down reduction point (load must be at position where slow-down begins when raising load).
		UPPER RESUME	Program the upper speed resume point (load must be at position where system will resume normal speed when raising load).
		VL MENU -RESET!-	Reset all programmed virtual limits in this menu.
Lift Speed Setting	SPEED MENU	SPD MENU SPD 10% ~ SPD 100%	Maximum hoist speed selection, [1 ~ 10] correspond to lowest and highest speed.
Lift Responsiveness (Acceleration) Setting	RESPONSE MENU	RESPONSE LOW	Set the lowest handle control response corresponding to about 75% of the highest responsiveness setting.
		RESPONSE MEDIUM	Set the medium handle control response corresponding to about 85% of the highest responsiveness setting.
		RESPONSE HIGH	Set the highest handle control responsiveness setting.
Force Sensing Handle Settings	FAST ZERO FSH	FAST ZERO FSH	This menu provides a short cut to tare the Force Sensing Handle. Clicking the Float Mode button will perform the tare process. This menu will not be displayed unless a Force Sensing Handle is connected.
	FSH SUB MENU	ZERO FSH HNDL	Tare the handle.
		CHANGE 2 INLINE (REMOTE)	Change the handle between Inline and Remote type. This should be done when swapping one style of Force Sensing handle for another. The setting must match the handle type.
		RESET FSH	Un-tare the handle. The load cell signal will be returned to its original value. Usually command warning 11008 will display since the handle will be out of tare.
		DEFAULT SETTING	Revert to default handle setting: unit will be configured for Inline Slide Force Sensing handle.
Q & iQ Custom Features	SETTINGS MENU	ZERO WT DISP	Record and tare out the handle weight for weight readout calculation.
		WEIGHT READ ON READ OFF	Toggle between enabling and displaying the load weight. Once enabled, weight is displayed two seconds into standard operation (unit idling).
		DISPLAY METRIC ENGLISH	Toggle the unit of the weight readout display between pounds (English) and kilograms (Metric).
		FM SETUP SUB-MENU	Access Float Mode Configuration Setup Sub-Menu.
		USR OVLD SUB-MENU	User Programmable Overload Setup Sub-Menu.
		TIMER SUB-MENU	Excessive Pause Timer Setup Sub-Menu.
		SETTINGS -RESET!-	Reset above Custom Features, i.e. reset tarred handle weight, weight readout off, and readout display back to English unit.
[SUB-MENU] Float Mode Configuration Setup	FM SETUP SUB-MENU	FM SETTINGS	Startup prompt screen when this sub-menu is accessed.
		ENABLE DISABLE FLOAT MO ³	Enable or Disable running Float Mode related features, such as Standard Float Mode, Remote-Mount Float Mode Trigger, Dual Float Mode Weights, etc.
		FM ANTI-RECOIL	Float Mode Anti-Recoil Configuration Sub-Menu.
		UNLOAD STOP ON STOP OFF	Optional feature utilizing Anti-Recoil detection. When user sets a weight onto a surface in Float Mode, it is terminated if Anti-Recoil detects an unloading. This can be useful for applications needing a quick Float Mode exit to an idle state to allow user to work on the part. Note: As a result of the extra detection, Float Mode is likely to terminate when the upper limit switch is hit while unit is running at a fast speed. This false detection can be avoided or reduced by running the unit at a low speed.

Chart D. (continued on pages 32-35) Program Mode Menu and Selection Settings.

PROGRAM MODE (CONTINUED)

Program Mode	Menu	LCD Text	Feature Description
[SUB-MENU] Float Mode Anti-Recoil Configuration Setup	FM ANTI-RECOIL	AT OVER FORCE SPEED	Startup screen when this sub-menu is accessed. The correct configured Anti-Recoil detection method is displayed (see next item for details on the detection methods).
		TO OVER FORCE SPEED	Toggle Anti-Recoil detection method between standard over-speed and over-force detections. Anti-Recoil protects against a dropped weight while running Float Mode causing the unit to speed upward until hitting an object or a push force equivalent to the dropped weight. Over-Speed Detection: Unit terminates Float Mode if speed exceeds maximum Float Mode speed at 90% of unit loaded speed. Over-Force Detection: Unit terminates if user's operating force exceeds the maximum force limit or a dropped weight is detected by evaluating the force profile. Different from Over-Speed Detection, unit can run at the maximum Float Mode speed. a. Maximum force limit defaults at 35 lbs. b. A dropped weight profile assumes the operator has both hands off the weight (tooling) as the unit speeds upward. Detection ability may reduced if user attempts to stop the unit or if the tooling swings heavily. c. If the total lifted weight (e.g. tool and part) is less than the maximum force limit, Over-Speed Detection is applied.
		MX FORCE 15 ~ 45 LBS	Set Anti-Recoil Over-Force Detection maximum force limit between 15 and 45 lbs.
		DEFAULT SETTINGS	Unit reset to the default setup according to the configured detection method. For example, unit configured with Over-Force Detection defaults to 35 lbs. maximum force limit, dropped weight profile checkup and conditional Over-Speed Detection. UNLOAD STOP option is turned off for both methods.
[SUB-MENU] User Programmable Overload Setup	USR OVLD SUB-MENU	USR OVLD SETUP	Startup prompt screen when this sub-menu is accessed. Please activate weight readout while setting an overload limit, to ensure that the load cell is properly calibrated and the desired overload limit is within the acceptable range. Please see WEIGHT READ ON_ under SETTINGS MENU for additional details.
		CHANGE OLVD LMT	Program an overload limit.
		CHANGE OP FORCE	Configure operating force limit for moving a load in air.
		CHANGE SENSITIV	Configure overload detection sensitivity.
		DEFAULT SETTINGS	Apply factory default overload settings. Overload limit is set as the maximum limit either at the rated capacity plus 5 lbs for G-Force® 165#, Easy Arm® 165# and G-Jib™ 330# models, or 101% of the rated capacity plus 5 lbs for all other models. The operating force limit is set at 15 lbs and detection sensitivity is set to 5 (high).
Program an Overload Limit	CHANGE OVLD LMT	AT OVLD LBS NNNN	Startup prompt screen displaying the programmed overload limit. User Overload feature adjusts the detection and over limit parameters proportional to programmed Overload Limit. The over limit when overload is triggered is at M% above the Overload Limit plus the Operating Force Limit (see CHANGE OP FORCE section for info). An over limit is roughly set at: G-Force®: 102% x Overload Limit + OP FORCE EasyArm®: 105% x Overload Limit + OP FORCE G-Jib™: 103% x Overload Limit + OP FORCE
		TARE OVLD LMT	Tare the total lifted weight as Overload Limit. When selected, unit tares the total lifted weight supported by the wire rope as the Overload Limit. This value can be monitored thru the weight readout feature without zeroing the reading (see SETTINGS MENU). The maximum limit is either the rated capacity plus 5 lbs for G-Force® 165#, Easy Arm 165# and G-Jib™ 330# models, or 101% of the rated capacity plus 5 lbs for all other models. The minimum limit is 25% of the rated capacity. A warning is triggered if the tare weight is outside this range. Overload limit is capped at one of these bounds.
		SET LIMIT LBS NNNN	Set Overload Limit to the selected NNNN lbs limit. TARE OVLD LMT section lists a range of the maximum and minimum limits for Overload Limit. Clicking the G-Force® Logo pushbutton decrements the limit from the maximum down to the minimum, one lb at a time. The button can be pressed and held to decrease the count at a faster rate. Once the minimum value is reached, click the pushbutton to restart from the setup screen; otherwise, the minium limit is applied after the pushbutton is released.

Chart D. (continued from page 31 & continued on pages 33-35) Program Mode Menu and Selection Settings.

PROGRAM MODE (CONTINUED)

Program Mode	Menu	LCD Text	Feature Description
Configure Operating Force Limit for Moving a Load in Air	CHANGE OP FORCE	AT FORCE LBS NNNN	Startup prompt screen displaying the programmed Operating Force Limit. Operator's push and pull force is an extra loading to the system, especially when handle is mounted on the tooling. This sub-menu allows one to set a Force Limit to account for different user's operating force thus reducing chance of false overload detection. The limit should not be set larger than necessary as it reduces detection capability. By default, the limit is set at 15 lbs.
		TO FORCE LBS NN	Set Operating Force Limit to between 5 and 25 lbs in 1 lb increments.
Configure Overload Detection Sensitivity	CHANGE SENSITIV	AT LEVEL 5 (HIGH) ~ 1 (LOW)	Startup prompt screen displaying the programmed Detection Sensitivity. This feature may falsely detect varying weight as overloaded, for example, on a system with unbalanced or elongated tooling that sways easily during usage, or a less rigid supporting structure that induce much vibration. The sensitivity parameter can be reduced to prevent false detection when operating a load at no greater than the Overload Limit. However, do not reduce the sensitivity unless it is necessary due to actual usage. A reduced sensitivity increases the time to detect a legitimate overload condition that may result in damages or failure to the unit. By default, Detection Sensitivity is set at 5 (HIGH).
		TO LEVEL 5 (HIGH) ~ 1 (LOW)	Set Detection Sensitivity to between 5 (HIGH) and 1 (LOW) one level decrements at a time.
[SUB-MENU] Excessive Pause Timer Setup Sub-Menu	TIMER SUB-MENU ³	PAUSE TIMER	Startup prompt screen when this sub-menu is accessed.
		HANDLE TIMER	Change timer setting for the slide and pendant handle.
		FLOAT MO TIMER	Change timer setting for Float Mode.
		CUSTOM TIMER	Change timer setting for custom motion such as Auto Home or a profiled movement.
		DEFAULT SETTINGS	Apply default excessive pause timer settings: slide and pendant handle (45 seconds), Float Mode (60 seconds) and custom motion (20 seconds).
Change Time Setting for the Selected Run Mode	HANDLE FLOAT MO or CUSTOM TIMER	AT LIMIT SEC NN MIN M	Startup prompt screen displaying the current timer limit between 1 ~ 59 seconds or 1 ~ 5 minutes.
		SET LIMIT SEC NN MIN M	Set pause timer limit. Clicking the G-Force® Logo pushbutton increments the setting from 1 to 59 seconds, followed by 1 to 5 minutes. Press-and-hold the pushbutton does a quick scroll-thru on these limits.
iQ Features*,**	SETTINGS MENU 2	DUAL FM TOOL WT	(Float Mode feature enabled) Record tooling weight for the Dual Float Mode weights feature.
		DUAL FM LOAD WT	(Float Mode feature enabled) Record tooling and load weights for the Dual Float Mode weights feature.
		ANTIDROP TOOL WT	Tare tooling weight for anti-drop feature. The minimum difference between unloaded and loaded tool weight is 20 lbs. for G-Force®, 25 lbs. for Easy Arm® and 25 lbs. for G-Jib™.
		MENU 2 SET HOME	Program the auto home tracking position (load must be at desired position for the limit).
		MENU 2 -RESET!-	Reset above custom features including the dual Float Mode, anti-drop, and auto home features.
LED Config Menu*,**: Programs the blue LED as an indicator)	LED MENU	RESET LEDS	Disable any custom feature (e.g. anti-drop) from utilizing the blue LED as an indicator.
		ANTI DROP	Enables the blue LED on the control handle to act as an indicator for the anti-drop function. When this function is enabled and the anti-drop output is off (off is typically the grip/clamp state of the tooling), the blue LED will flash until the anti-drop output turns on (on is typically the release state of the tooling).
		SLACK ANTIDROP	Set Slack Anti-Drop to use the blue LED for indication identical to ANTI-DROP above. This selection is not available by default because this is a disabled built-in feature.

Chart D. (continued from pages 31 & 32, and continued on page 34 & 35) Program Mode Menu and Selection Settings.

PROGRAM MODE (CONTINUED)

Program Mode	Menu	LCD Text	Feature Description																		
Dual Actuator Configuration Menu*,*** (Dual Actuator option required)	DUAL ACT MENU ³	MOTION INDEPEND SYNC	Item is only selectable if the dual-actuator system is set to manual configuration, SETUP MANUAL.																		
		SETUP MANUAL AUTO	A dual-actuator system defaults to AUTO configuration, i.e. the system automatically configures the various run mode controls to INDEPEND or SYNC linking. If MANUAL option is selected, user can choose to overwrite some of the controls to a specific mode as programmed through MOTION INDEPEND\SYNC. The breakdowns are as such: <table border="1" style="width: 100%; border-collapse: collapse;"> <thead> <tr> <th>RUN MODE</th> <th>AUTO</th> <th>MANUAL</th> </tr> </thead> <tbody> <tr> <td>Jog Switch</td> <td>INDEPEND</td> <td>SELECTABLE</td> </tr> <tr> <td>Slide Handle</td> <td>SYNC</td> <td>SELECTABLE</td> </tr> <tr> <td>Pendant Handle</td> <td>SYNC</td> <td>SELECTABLE</td> </tr> <tr> <td>Float Mode</td> <td>INDEPEND</td> <td>INDEPEND</td> </tr> <tr> <td>Custom Motion</td> <td>SYNC</td> <td>SELECTABLE</td> </tr> </tbody> </table>	RUN MODE	AUTO	MANUAL	Jog Switch	INDEPEND	SELECTABLE	Slide Handle	SYNC	SELECTABLE	Pendant Handle	SYNC	SELECTABLE	Float Mode	INDEPEND	INDEPEND	Custom Motion	SYNC	SELECTABLE
		RUN MODE	AUTO	MANUAL																	
Jog Switch	INDEPEND	SELECTABLE																			
Slide Handle	SYNC	SELECTABLE																			
Pendant Handle	SYNC	SELECTABLE																			
Float Mode	INDEPEND	INDEPEND																			
Custom Motion	SYNC	SELECTABLE																			
SETUP -RESET!	Default dual-actuator feature settings to SYNC linking mode and AUTO configuration setup.																				
Service Menu: Maintenance and Service Features	SERVICE MENU	SRV MENU UP CYCLE	Program upper limit for the cycle count.																		
		SRV MENU LO CYCLE	Program lower limit for the cycle count.																		
		DISPLAY SYS INFO	Enable/disable displaying of usage data. When enabled, text display cycles between system time, run time, cycle counts, and the software version number once per second.																		
		CLEAR COUNT	Reset cycle count to zero.																		
		CLEAR RUN TIME	Reset run time to zero.																		
		SRV WARN OFF	Reset the warning or the time limit of the Maintenance Service Indicator* feature. Does not reset the current run time. Note: The warning can also be reset by selecting CLEAR RUN TIME.																		
		SRV WARN 500 HRS	Configure the time limit of the Maintenance Service Indicator* feature on I/O point 7 (see diagram F) to 500 hours.																		
		SRV WARN 1000 HRS	Configure the time limit of the Maintenance Service Indicator* feature on I/O point 7 (see diagram F) to 1000 hours.																		
		SRV WARN 1500 HRS	Configure the time limit of the Maintenance Service Indicator* feature on I/O point 7 (see diagram F) to 1500 hours.																		
		CFG MENU ENABLE	When the LCD screen asks to enter a key code, click the Menu button three times followed by another three clicks on the G-Force® Logo button to access the Configuration Menu.																		
		STANDARD DIAGNOSE	Standard Diagnostic Mode displays all handle pushbuttons, sliding gripper or pendant lever position, load cell weight reading, and limit switches status on the LCD screen.																		
		LIFT I/O DIAGNOSE	iQ Actuator Input/Output Module Diagnostic Mode displays the status of the eight configurable inputs and outputs on the LCD screen. The inputs statuses are displayed in the first screen followed by those for the outputs. The I/O Point number of the input that measures incoming 24VDC or output that is turned on to provide 24VDC is displayed in each screen as numerical numbers, 1 ~ 8.																		
		I/O BLK1 DIAGNOSE	[iQ Only] First (Primary) Expansion Input/Output Block Diagnostic Mode displays the status of the eight configurable inputs and outputs on the LCD screen. The inputs statuses are displayed in the first screen followed by those for the outputs. The I/O Point number of the input that measures incoming 24VDC or output that is turned on to provide 24VDC is displayed in each screen as numerical numbers, 1 ~ 8.																		
		I/O BLK2 DIAGNOSE	[iQ Unit with Custom or Reconfigured Program] Second Expansion Input/Output Block Diagnostic Mode displays the status of the eight configurable inputs and outputs on the LCD screen. The inputs statuses are displayed in the first screen followed by those for the outputs. The I/O Point number of the input that measures incoming 24VDC or output that is turned on to provide 24VDC is displayed in each screen as numerical numbers, 1 ~ 8.																		

Chart D. (continued from pages 31-33, and continued on page 35) Program Mode Menu and Selection Settings.

PROGRAM MODE (CONTINUED)

Program Mode	Menu	LCD Text	Feature Description
Service Menu: Maintenance and Service Features (Continued)	SERVICE MENU (Continued)	I/O BLK3 DIAGNOSE	[iQ Unit with Custom or Reconfigured Program] Third Expansion Input/Output Block Diagnostic Mode displays the status of the eight configurable inputs and outputs on the LCD screen. The inputs statuses are displayed in the first screen followed by those for the outputs. The I/O Point number of the input that measures incoming 24VDC or output that is turned on to provide 24VDC is displayed in each screen as numerical numbers, 1 ~ 8.
		SRV MENU -RESET!	Reset all programmed features in this menu such as the upper and lower cycle limits and the service indicator time limit if the feature is available. Does not clear the run time and cycle counts.
Special Unit Features and Hardware Configurations	CONFIGUR MENU	RECORD CONFIG	Record the current unit system configuration settings such as unit type and capacity setting, factory overload settings, loadcell calibration parameters, virtual limit software package enabling flag for Q unit, burn-in status and all the custom feature setup parameters.
		ZERO LOD BIAS	Set loadcell bias signal with no weight attached to define a "zero" value (requires Float Mode option).
		CALIBRAT LOD COEF	Set loadcell signal slope coefficient with a lifted weight equal to the rated capacity of the unit below the wire rope. Any different lifting weight will result in false calibration and inaccuracy such as weight readout feature (requires Float Mode option). This step must be performed after zero load bias.
		PRESET SUB-MENU	Access predefined sets of Q/iQ feature configurations including factory default setup.
[SUB-MENU] Preset Feature Configuration List	PRESET SUB-MENU ³	PRESET 1*	I/O Expansion I/O Block (Assignment for one I/O Anti-Drop) 1 Input - Dual Float Mode 2 Input - Anti-Drop 3 Output - Anti-Drop 4 Input - Auto Home 5 Input - External device control (combine with Actuator I/O Module point 5) 6 Input - External device control (combine with Actuator I/O Module point 6) 7 Output - mimic OPS 8 Output - mimic stack WARN: A unit equipped with a custom program would have its custom features disabled and reconfigured to the above settings.
		PRESET 2*	I/O Expansion I/O Block (Assignment for two I/O Anti-Drop) 1 Input - Dual Float Mode 2 Input - Anti-Drop (Clamp) 3 Input - Anti-Drop (Unclamp) 4 Input - Auto Home 5 Input - External device control (combine with Actuator I/O Module point 5) 6 Input - External device control (combine with Actuator I/O Module point 6) 7 Output - Anti-Drop (Clamp) 8 Output - Anti-Drop (Unclamp) WARN: A unit equipped with a custom program would have its custom features disabled and reconfigured to the above settings.
		PRESET 3*	I/O Expansion I/O Block (Two I/O Anti-Drop & System Switches Output) 1 Input - Dual Float Mode 2 Input - Anti-Drop (Clamp) 3 Input - Anti-Drop (Unclamp) 4 Input - Auto Home 5 Output - Handle Operator Present Sensor Status 6 Output - Slack or Down Travel Limit Switch Status 7 Output - Anti-Drop (Clamp) 8 Output - Anti-Drop (Unclamp) The external device control feature previously on I/O5 and 6 is disabled; therefore its corresponding outputs on Actuator I/O Module I/O points 5 and 6 are disabled as well. WARN: A unit equipped with a custom program would have its custom features disabled and reconfigured to the above settings.
		FACTORY DEFAULT	Reset feature resets back to factory default equivalent PRESET 2. A unit equipped with a custom program is reset to its default configuration with its custom features enabled.

* Indicates this feature is only available on iQ units.

** Additional details are available in the Input/Output Functionality section.

*** This menu is hidden unless the optional feature is purchased and installed.

¹ Two (2) virtual limit sets are available with a standard iQ unit. More virtual limit sets are possible with custom programming.

² The minimum distance between any two Virtual Limits is 1", 1/2", 1/4" and 1/8" for any 75Kg, 150Kg, 300Kg, and 600Kg actuators correspondingly, with the exception that the gap between the Upper and Lower Virtual Limits must be greater than 1". The motion control position accuracy to any Virtual Limit is as follows:

+/- 1/4" for G-Force®, Easy Arm®, G-Jib™ 150Kg; +/- 1/16" for G-Jib™ 300Kg, +/- 1/8" for G-Force® 300Kg, +/- 1/16" for G-Force® 600Kg

Note that the actual total accuracy is motion control accuracy plus any mechanical component accuracy constraints. For example, if mechanical component accuracy is +/- 1/4", the total cumulated accuracy is +/- 1/2" for G-Force® 75Kg unit.

³ This entire section or item selection requires cycling the main 220 VAC power for the setting(s) to take effect.

Chart D. (continued from pages 31-34) Program Mode Menu and Selection Settings.

PROGRAM MODE (CONTINUED)

iQ Actuator Input/Output Module Functionality

I/O Point	Assigned Function	Description	Settings (see chart A for instructions on navigating and setting menu functions)
1	Input - Dual virtual limit sets	When this input is turned on, the G-Force® switches to a second independent set of virtual limits. See chart C for instructions on setting each of these limit sets.	Second set of virtual limits is done the same as the standard set but with this input on.
2	Future expansion - no default functionality assigned	Functionality may be assigned via custom programming to meet application requirements. Contact your Gorbel® dealer for more details.	
3	Future expansion - no default functionality assigned	Functionality may be assigned via custom programming to meet application requirements. Contact your Gorbel® dealer for more details.	
4	Future expansion - no default functionality assigned	Functionality may be assigned via custom programming to meet application requirements. Contact your Gorbel® dealer for more details.	
5	Output - External device control (requires optional expansion 8-point input/output block)	This output is controlled by input number 5 on the optional expansion 8-point input/output block. When that input is on, output 5 on the iQ actuator input/output module is on and vice versa.	
6	Output - External device control (requires optional expansion 8-point input/output block)	This output is controlled by input number 6 on the optional expansion 8-point input/output block. When that input is on, output 6 on the iQ actuator input/output module is on and vice versa.	
7	Output - Service indicator	This output turns on when service is required (based on hours of use and set at the factory) and may be used to turn on an external service indicator (supplied by others).	The reset function for this output is in the SERVICE MENU, items CLEAR RUN TIME or SRV WARN OFF.
8	Output - Fault indicator	This output turns on when a command fault or drive fault occurs. It does not turn on due to a command warning.	

Chart E. iQ Actuator Input/Output Module Standard Functionality.

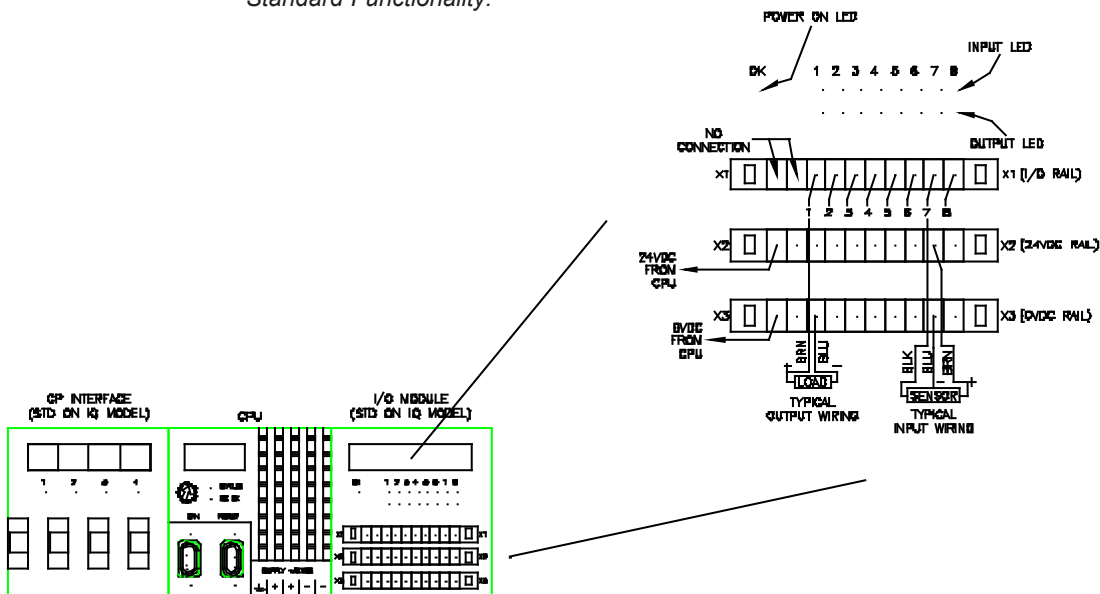


Diagram F. Actuator CPU Input/Output Block.

PROGRAM MODE (CONTINUED)

Expansion 8-Point Input/Output Block Functionality

I/O Point	Assigned Function	Description	Settings (see chart A for instructions on navigating and setting menu functions)
1	Input - Dual load weight Float Mode*	When the G-Force® is in float mode, this input allows switching from one pre-programmed load weight to another. These two weights must remain fixed; otherwise, some drifting can occur if the weight is different than the programmed value.	The two Float Mode load weights programmed are located in SETTINGS MENU 2 - DUAL TOOL WT and DUAL FM LOAD WT. The desired load weight must be suspended from the G-Force® when performing each setting.
2	Input - Anti-drop feature (Clamp request)	This input is typically wired to a clamp request pushbutton. When the input is on, Output #7 (see I/O Point 7) turns on and Output #8 turns off regardless of the tooling loading state.	See I/O Point 3 Settings description.
3	Input - Anti-drop feature (Unclamp request)	This input is typically wired to an unclamp request pushbutton. When the input is on, Output #8 (see I/O Point 8) turns on only if Anti-Drop algorithm determines the suspended load is at or below the set weight (ANTIDROP TOOL WT). If Output #8 turns on, Output #7 is turned off.	Programming to tare weight is located at SETTINGS MENU 2 - ANTIDROP TOOL WT. The empty tooling (including handle controller and other accessories) without a pickup part must be suspended solely by the wire rope when tarring. The minimum difference between unloaded and loaded tool weight is 20 lbs. for G-Force®, 25 lbs. for Easy Arm®, and 25 lbs. for G-Jib™ products.
4	Input - Auto Home	When this input is toggled (momentarily turned on then off again), the G-Force® automatically travels to the set home position in the vertical travel. Tracking stops when obstruction is detected, i.e. Q/iQ G-Force® stops at 10-25 lbs. depending on unit capacity.	The Auto Home position programming is located at SETTINGS MENU 2 - MENU 2 SET HOME. Move the G-Force® to the desired position in the vertical travel before selecting the position setting in this menu.
5	Input - External device control (used in conjunction with actuator output 5)	This input controls input 5 on the actuator input/output module. When this input is on, output 5 on the iQ actuator input/output module is on and vice versa.	
6	Input - External device control (used in conjunction with actuator output 6)	This input controls input 6 on the actuator input/output module. When this input is on, output 6 on the iQ actuator input/output module is on and vice versa.	
7	Output - Anti-drop feature (Clamp Control)	This output is typically wired to actuate the clamping mechanism of an end effector tooling. It turns on when Input #2 (see I/O Point 2) is on and remains latched on when the input is released. It can be turned off by Input #3 (see I/O Point 3).	See I/O Point 3 Settings description.
8	Output - Anti-drop feature (Unclamp Control)	This output is typically wired to actuate the unclamping mechanism of an end effector tooling. It turns on when Input #3 (see I/O Point 3) is on and the Anti-Drop algorithm determines the suspended load is at or below the set weight (ANTIDROP TOOL WT). If it is not turned on, the input can be held momentarily (do not hold on indefinitely) until the tooling is unloaded then the output is turned on. Once the output turns on, it remains latched on when the input is released. It is always turned off with Input #2 (see I/O Point 2).	See I/O Point 3 Settings description.

Chart F. Expansion 8-Point Input/Output Block.

* G-Force® must have Float Mode feature enabled for this feature to work.

WARNING

Please be aware that software versions prior to R1.07.0 use I/O block model X67BC7321, while those with R1.07.0 and newer require the X67BC7321-1 model. The model number can be found at the left side of the block when placed in the orientation as shown in the diagram. The running software version can be checked through DISPLAY SYS INFO selection under SERVICE MENU in PROGRAM MODE.

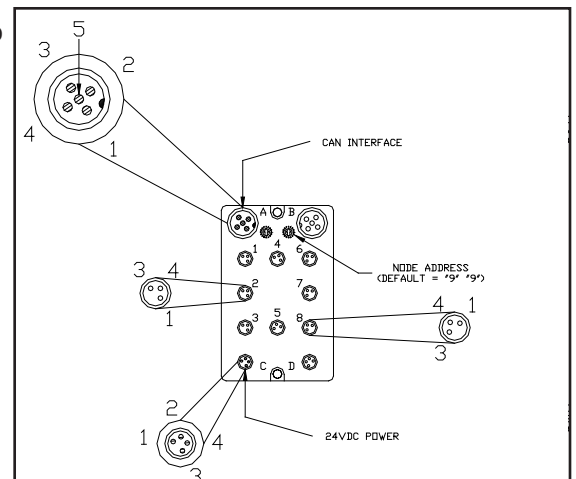


Diagram G. Handle Input/Output Block.

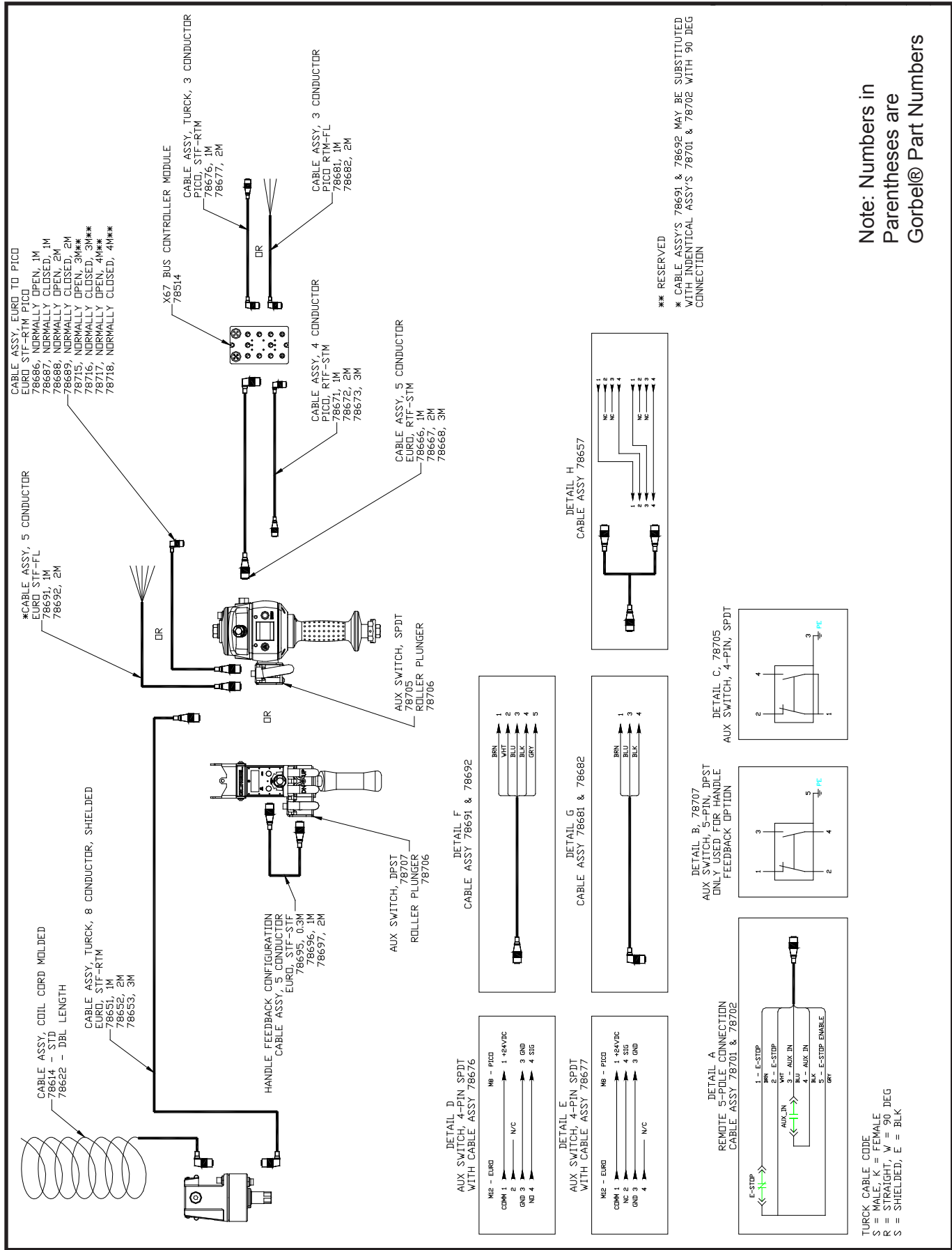
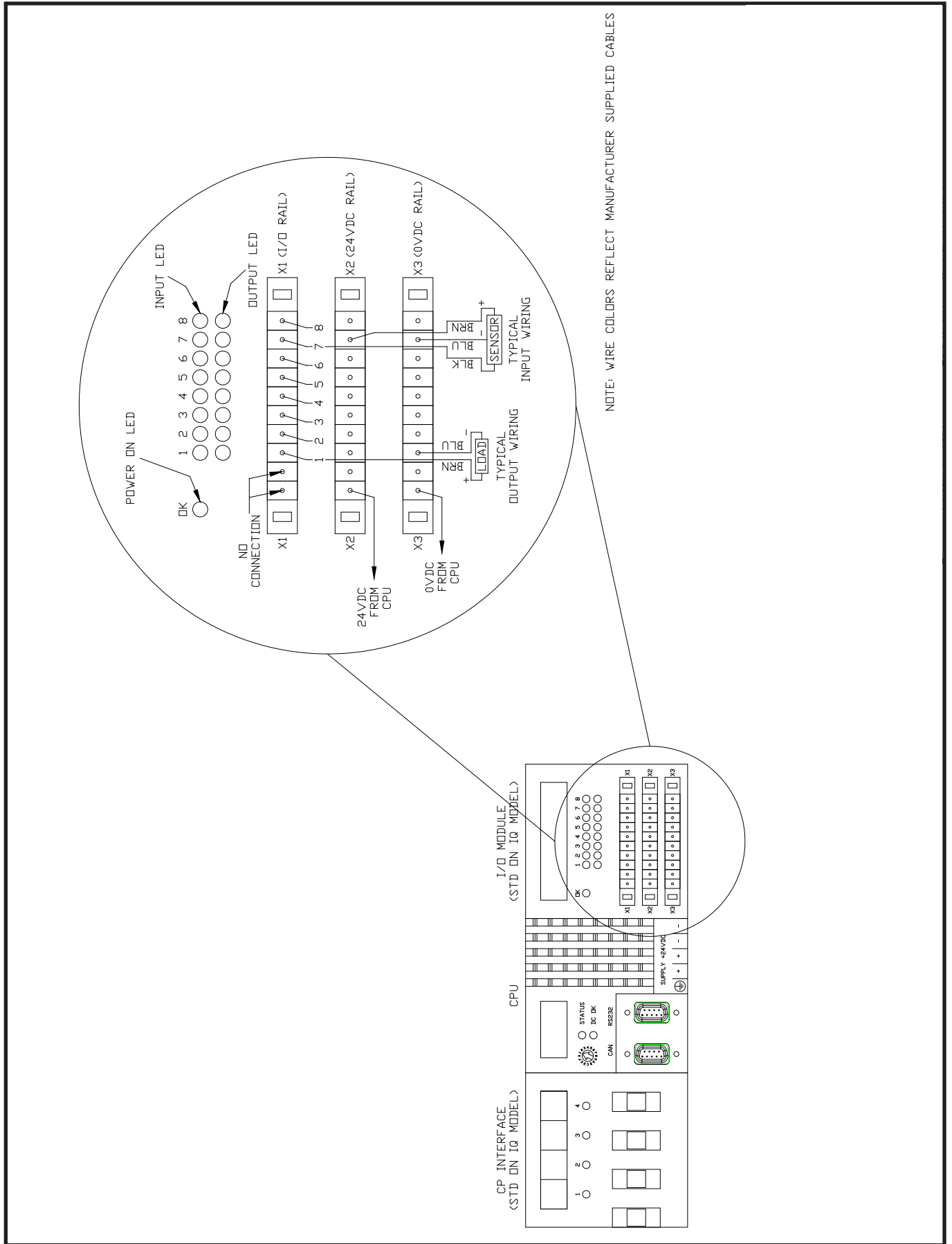


Diagram H. Q-iQ Handle Configurations.



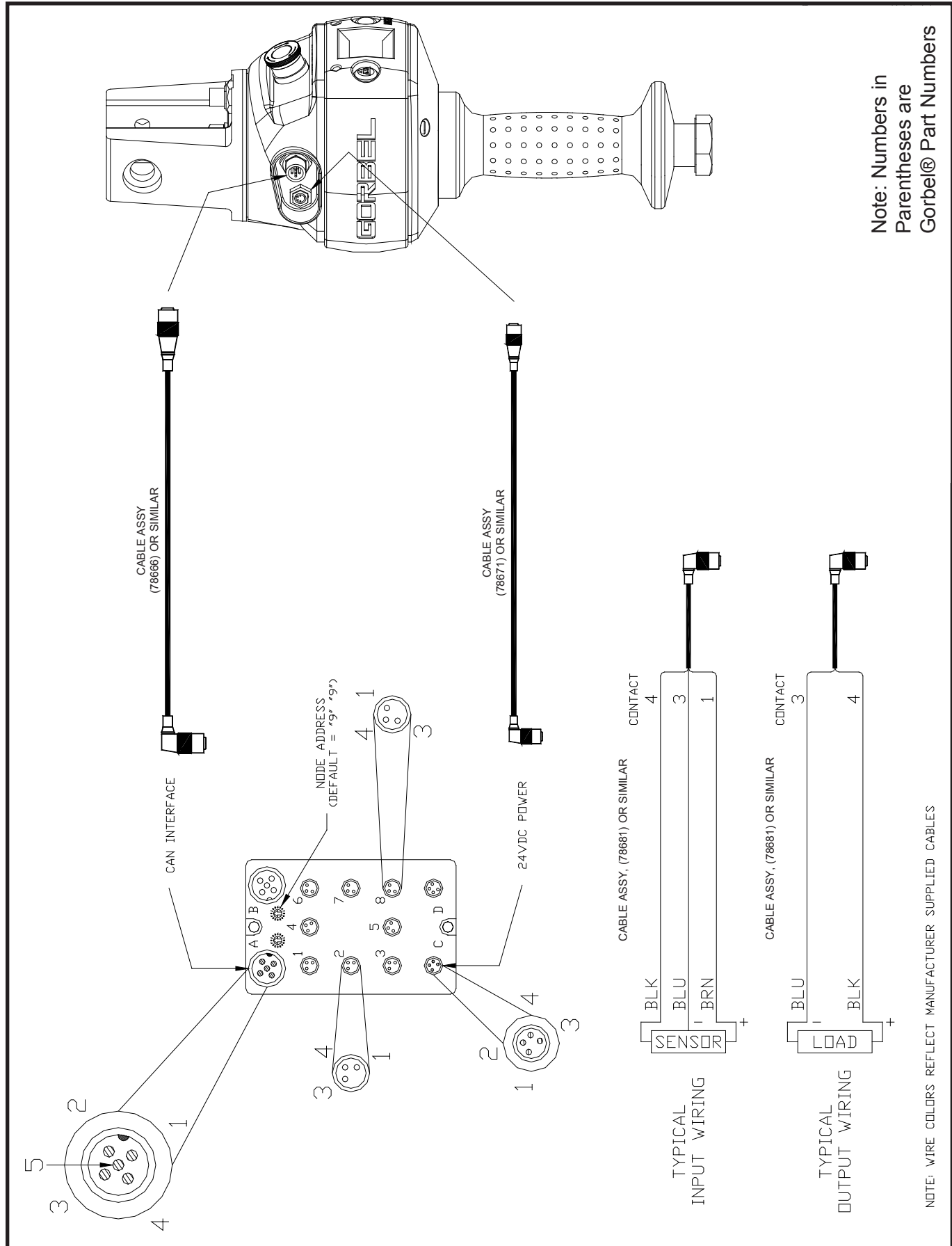


Diagram J. Handle IO Detail, Slide Model.

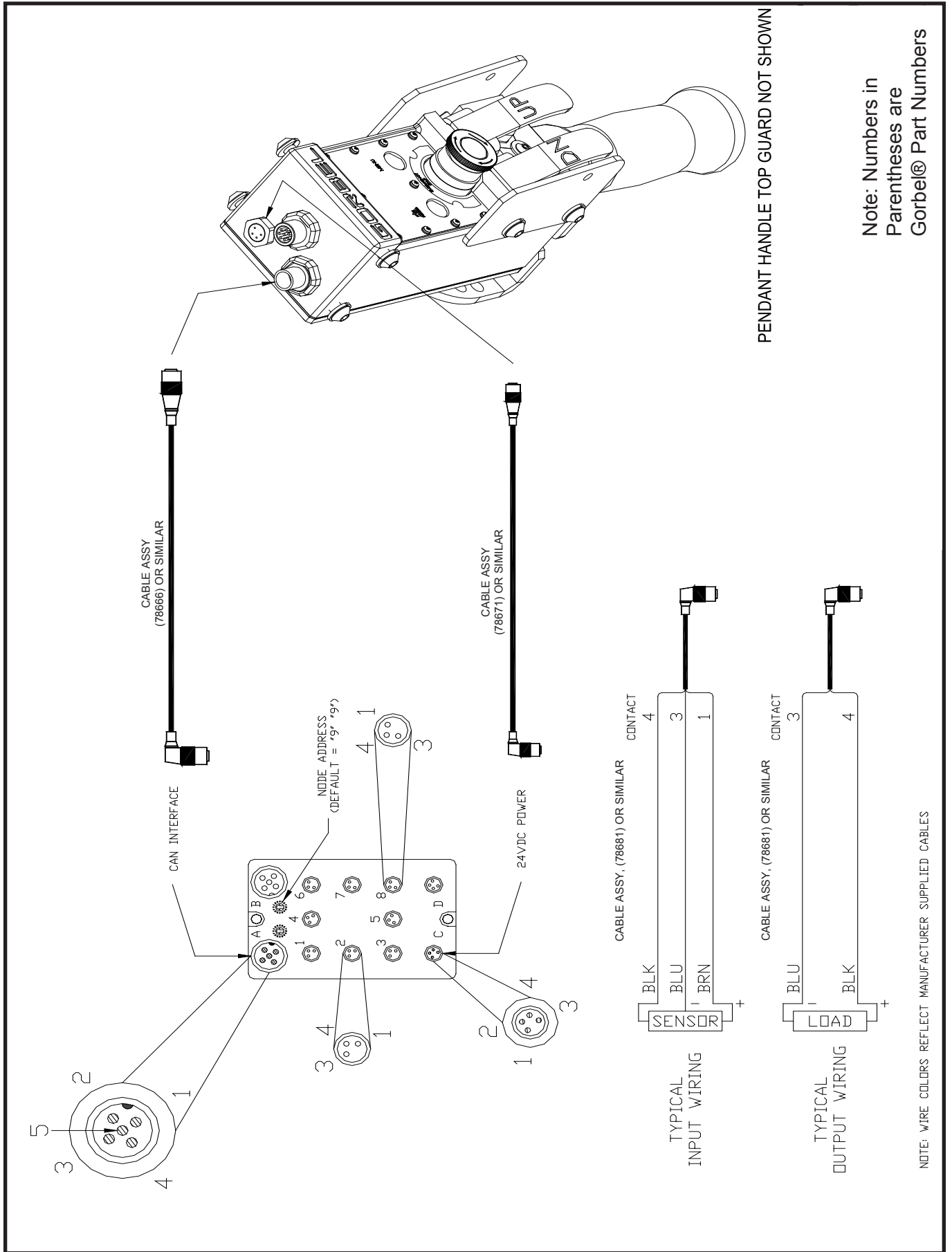


Diagram K. Handle IO Detail, Pendant Model.

TROUBLESHOOTING

Basic Troubleshooting

Failure	Possible Solution
There is no display on the LCD screen on the handle.	<p>Note: The LCD screen will go into screen saver mode after 10 minutes of non-use.</p> <ul style="list-style-type: none"> • Verify the correct AC power to the actuator. • Check the coil cord connections at both the handle and actuator. • Check the overall condition of the coil cord. Look for broken or exposed wiring.
There is a fault or warning message displayed on the LCD screen on the handle.	<ul style="list-style-type: none"> • Clear the fault per the instructions on the LCD. • Reset the E-stop on the handle. • Recycle the AC power. Note: AC power must be disconnected from the actuator by unplugging the actuator from the AC power source or disconnecting power by using a circuit breaker or similar method.
The red or blue LED, or both, on the control handle are either on or flashing.	<ul style="list-style-type: none"> • Refer to System Fault Diagnostics Charts on the following pages.
The unit will not raise or lower the load.	<ul style="list-style-type: none"> • Make sure you are in the RUN MODE. • Check the virtual limits settings if equipped with that option. • Check that you are not in an overloaded condition. • If you are wearing dark gloves, remove them and try the sliding handle again. • Check the coil cord connections at both the handle and the actuator. • Check that the sliding handle grip or pendant handle levers move smoothly. • Check for any interference between the handle and any foreign objects, work surfaces, etc.
The unit is too slow or too fast.	<ul style="list-style-type: none"> • Adjust the speed in PROGRAM MODE. • Check for speed reduction setting in virtual limits program if equipped with that option.
The unit does not accelerate at the desired rate.	<ul style="list-style-type: none"> • Adjust the response in PROGRAM MODE. • Make sure you are not attempting to “snatch” the load. • Check the weight of the load. If you are close to the overload limit, try lifting at a reduced speed.
Unit will not raise or lower the load to the desired height.	<ul style="list-style-type: none"> • Check the virtual limits settings in PROGRAM MODE. • Check for wire rope damage. • Check whether or not you have an extended wire rope with a standard length coil cord. • Check to see if the wire rope has been modified (shortened) for any reason). • Check for any interference with foreign objects, tooling, work surfaces, etc.
The actuator is extremely noisy.	<ul style="list-style-type: none"> • Check the condition of the wire rope. • Check for any external damage to the actuator covers.
Float Mode does not function correctly.	<p>Note: Refer to Technical Specifications, page 43, for maximum speed of G-Force® Float Mode.</p> <ul style="list-style-type: none"> • Check that your system has the Float Mode option. • Check that the blue LED on the handle is illuminated. • Check to see if the LCD screen indicates you are in Float Mode. • Check that Float Mode has not timed out because the system has not been used for 60 seconds. • Ensure the unit is stable when Float Mode is initiated. • Check that the load data is reading accurately on the LCD screen. • Verify the bridge capacity. Check for excessive deflection in the bridge. • Check for obvious interference with the coil cord or handle.
Unit only goes in the up direction.	<ul style="list-style-type: none"> • Check the virtual limits settings if equipped with that option. • Check that the wire rope is not in a slack condition. • Check for any obvious interference with the load or the handle. • Check that you are not at the lower limit of the system. • Check the coil cord connections at both the handle and actuator. • Check the overall condition of the coil cord. Look for broken or exposed wiring.
Unit only goes in the down direction.	<ul style="list-style-type: none"> • Check the virtual limits settings if equipped with that option. • Check that you are not at the lower limit of the system. • Check that you are not in an overload condition. • Check for any obvious interference with the load or the handle. • Check the coil cord connections at both the handle and actuator. • Check the overall condition of the coil cord. Look for broken or exposed wiring.
7219 / 4005 codes.	<ul style="list-style-type: none"> • The AC power is too low. If it approaches ~ 200VAC the system will not operate properly.
501 / 11000 codes.	<ul style="list-style-type: none"> • Limit switch fault: <ol style="list-style-type: none"> 1. Insure there is weight on the hook. 2. Disconnect AC power. 3. Reapply AC power.
##### #####	<ul style="list-style-type: none"> • Two rows of # signs indicate poor cable connection anywhere from handle to the internal CPU. Check all external cable connections.

If possible solutions do not work, refer to the optional Service Manual available from Gorbel.

TROUBLESHOOTING (CONTINUED)

System Fault Diagnostics Chart

Under certain conditions, a system fault or warning message may appear on the LCD screen or the G-Force® handle along with either the red or blue LED flashing. The system fault or warning message can be one of the following:

1. Command fault - describes faults detected by the PLC while executing a command that results in a system shutdown with a message displayed on the LCD screen.
2. Command warning - describes a condition that will allow the system to continue to operate with a message being displayed on the LCD screen until that message is cleared using Program Mode.
Note: The warning is cleared through Program Mode or cycling the power or E-stop if the warning is not repetitive.
3. ACOPOS Drive fault - describes faults detected in the drive that result in a shutdown and a drive fault message displayed on the LCD screen.

The recovery from these may require the cycling off/on of the E-stop switch or AC power source. **Note: The latter must be done by disconnecting the AC power cord, using an electrical disconnect device or a circuit breaker.**

It is also possible that the fault clearance may require a more specific corrective action such as reloading system software (see optional Service Manual), replacing the wire rope, checking certain external input/output modules or some other service-related task. If necessary, check with your Gorbel® distributor or contact Gorbel® Inside Sales at 800-821-0086 for assistance.

Use the following table to identify the appropriate corrective action for the specific faulted condition:

Fault Category	LCD Error # Displayed	LCD Error Message	Corrective Action
Command Faults	1 - 9, 100 - 105, 110 - 122, 300 - 310	DOWNLOAD PROGRAM	Cycle Power
	200, 201, 203, 204	CHK PLC HARDWARE	Cycle Power
	202, 205, 206	CHK DRIV STATUS	Cycle Power
	1600	EXTD S# NNNN	Cycle E-stop
	0 ~ 9998		Cycle Power
Command Warnings	10400, 10401, 10402, 10403, 11001	CONTACT GORBEL	Cycle Power
	10500	REPLACE BATTERY	Cycle Power
	11000	RELEASE SWITCHES	Service is Required
	11002	RE-PROGM OVERLOAD	Follow Overload Program Instructions
	11003	CHK HNDL HARDWARE	Cycle Power
	11008		
	11009	N/A	Re-Zero FSH
	11010	N/A	[FSH] Check Handle Cable
	11011	N/A	[FSH] Check Handle Bar Weight
	11700, 11701	REPLACE WIREROPE	Clear Cycle Count after wire rope replacement
	11800, 11801, 11802	CHK HNDL ELECTRIC	Cycle E-stop
	11803, 11804, 11805	CHK LCD ELECTRIC	Cycle Power
	11806, 11807, 11808	CHK I/O MODULE	Cycle Power
11000 ~ 65534		Cycle E-stop	
Drive Faults	5034, 7045, 7046	ENCODER ERROR	Cycle E-stop Reprogram Position
All Other Drive Faults	1 ~ 64506		Cycle E-stop or Power

If corrective action does not work, refer to the optional Service Manual available from Gorbel.

TROUBLESHOOTING (CONTINUED)

LED Chart: The chart below shows the status of LED lights in different states.

ID	Program State	Sub-State	Blue	Red	LCD Text Display
1	Engaged E-stop		Off	Off	Displays "E-STOP ENGAGED". This state can also be used for troubleshooting if the E-stop is turned off intentionally.
2	Programming Mode		On	On	Overwrites fault, warning or service warning messages to allow correction of the cause of the messages. Displays "PROGRAM MODE", various menu screens and selection items. Please see "Program Mode" section for more details.
3	Fault Mode or Drive Fault		Off	On	LCD displays if unit is in command or drive fault, followed by a fault number and a corrective message. Unit is shut down until a corrective action is taken or cycling the E-stop or main AC power.
4	Warning		Off	Fast Flash	LCD displays unit is in warning fault, followed by a fault number and a corrective message. Unit is still allowed to run but warning messages overwrite other normal running messages defined in the latter cases.
5	Service Warning		Fast Flash	Off	Displays warnings for parts replacement recommendations and those that require immediate attention, e.g. wire rope replacement or PLC low battery
6	Service Mode		Slow Flash	Slow Flash	Because SERVICE MODE is meant to run for special diagnostic purposes, it is shown before Service Warnings such as cycle count warnings. Multiple diagnostic messages are likely to be displayed here such as output a live handle connection, pushbutton states (only a special Jog Mode is running), etc.
7	Startup Process	Before Ready Mode	On	On	Displays "UNIT POWER UP". Unit is starting up (power up) and executing necessary settings and self diagnostics.
10.a	Run Mode	Overload	Previous	Slow Flash	Indicates unit is overloaded (factory or user defined) while lifting.
10.b		Still Motion	Previous	Slow Flash	Indicates unit maintains still for an extensive time while running in a Run Mode application such as handle mode, Float Mode, etc.
10.c		Over-Speed	Previous	Slow Flash	Indicates Float Mode control exceeded the over speed limit and the unit is shutting down.
10.d		Handle Mode	Previous	Previous	Displays run mode specific message such as RUN MODE JOG, HANDLE, PENDANT or CUSTOM
		Float Mode	On	Off	Displays run mode specific messages such as "--RECORD-- --DATA--" and RUN MODE FLOAT. The first message indicates when the unit is collecting loadcell data to perform Float Mode.
11.a	Custom Feature #N	Display 1	On	Off	Displays custom feature messages for a custom motion feature (Run Mode) that also requires using LEDs for indication. More information may be found in the Custom Feature description section.
11.b		Display 2	On	On	
11.c		Display 3	Slow Flash	Off	
11.d		Display 4	Off	Slow Flash	
20	Ready Mode		Off	Off	Displays LIFT READY to indicate unit is idling and waiting for response.
20.a	Custom Feature #N	Display 1	On	Off	Displays custom feature messages for a custom feature that also requires using LEDs for indication while the unit is idling (in Ready Mode). More information may be found in the Custom Feature description section.
20.b		Display 2	On	On	
20.c		Display 3	Slow Flash	Off	
20.d		Display 4	Off	Slow Flash	

TECHNICAL SPECIFICATIONS

Series	Q Series	iQ Series	Q Series	iQ Series	Q Series	iQ Series	Q Series	iQ Series
Maximum Capacity (Load & Tool)	1320 lb	1320 lb	660 lb	660 lb	330 lb	330 lb	165 lb	165 lb
	600 kg	600 kg	300 kg	300 kg	150 kg	150 kg	75 kg	75 kg
Maximum Lifting Speed Unloaded	25 ft/min	25 ft/min	50 ft/min	50 ft/min	100 ft/min	100 ft/min	200 ft/min	200 ft/min
	7.47 m/min	7.47 m/min	14.94 m/min	14.94 m/min	30 m/min	30 m/min	61 m/min	61 m/min
Maximum Lifting Speed Fully Loaded	21 ft/min	21 ft/min	42 ft/min	42 ft/min	75 ft/min	75 ft/min	125 ft/min	125 ft/min
	6.40 m/min	6.40 m/min	12.80 m/min	12.80 m/min	23 m/min	23 m/min	38 m/min	38 m/min
Maximum Float Mode (Option) Lifting Speed	19 ft/min	19 ft/min	38 ft/min	38 ft/min	65 ft/min	65 ft/min	103 ft/min	103 ft/min
	5.79	5.79 m/min	11.58 m/min	11.58 m/min	20 m/min	20 m/min	31 m/min	31 m/min
Maximum Lift Range	5.5 ft	5.5 ft	11 ft	11 ft	11 ft	11 ft	11 ft	11 ft
	1.68 m	1.68 m	3.35 m	3.35 m	3.35 m	3.35 m	3.35 m	3.35 m
Maximum Lift Stroke	5.5 ft	5.5 ft	8 ft	8 ft	8 ft	8 ft	8 ft	8 ft
	1.68 m	1.68 m	2.44 m	2.44 m	2.44 m	2.44 m	2.44 m	2.44 m
Primary Lift Voltage (VAC)	220 +/- 10%	220 +/- 10%	220 +/- 10%	220 +/- 10%	220 +/- 10%	220 +/- 10%	220 +/- 10%	220 +/- 10%
Maximum Current (Amps)	10	10	10	10	10	10	10	10
Duty Cycle	H5	H5	H5	H5	H5	H5	H5	H5
Power Available for Tooling	Not Available	24VDC @ 0.5A	Not Available	24VDC @ 0.5A	Not Available	24VDC @ 0.5A	Not Available	24VDC @ 0.5A
Lifting Media	1/4" dia. 19x7 Preformed Stainless Steel Wire Rope	1/4" dia. 19x7 Preformed Stainless Steel Wire Rope	1/4" dia. 19x7 Preformed Stainless Steel Wire Rope	1/4" dia. 19x7 Preformed Stainless Steel Wire Rope	3/16" dia. 19x7 Preformed Stainless Steel Wire Rope	3/16" dia. 19x7 Preformed Stainless Steel Wire Rope	3/16" dia. 19x7 Preformed Stainless Steel Wire Rope	3/16" dia. 19x7 Preformed Stainless Steel Wire Rope
	6.35mm dia. 19x7 Preformed Stainless Steel Wire Rope	6.35mm dia. 19x7 Preformed Stainless Steel Wire Rope	6.35mm dia. 19x7 Preformed Stainless Steel Wire Rope	6.35mm dia. 19x7 Preformed Stainless Steel Wire Rope	4.76mm dia. 19x7 Preformed Stainless Steel Wire Rope	4.76mm dia. 19x7 Preformed Stainless Steel Wire Rope	4.76mm dia. 19x7 Preformed Stainless Steel Wire Rope	4.76mm dia. 19x7 Preformed Stainless Steel Wire Rope
Operating Temperature Range	41 - 122° F	41 - 122° F	41 - 122° F	41 - 122° F	41 - 122° F	41 - 122° F	41 - 122° F	41 - 122° F
	5 - 50° C	5 - 50° C	5 - 50° C	5 - 50° C	5 - 50° C	5 - 50° C	5 - 50° C	5 - 50° C
Operating Humidity Range (Non-Condensing)	35 - 90%	35 - 90%	35 - 90%	35 - 90%	35 - 90%	35 - 90%	35 - 90%	35 - 90%
Virtual Limits (Upper Limit, Power Limit, Speed Reduction)	Optional	Standard	Optional	Standard	Optional	Standard	Optional	Standard
Weight Display Accuracy (option with Float Mode)	+/- 1% Rated Capacity*	+/- 1% Rated Capacity*	+/- 1% Rated Capacity	+/- 1% Rated Capacity	+/- 1% Rated Capacity	+/- 1% Rated Capacity	+/- 1% Rated Capacity	+/- 1% Rated Capacity
UL/CSA Certified	Optional	Optional	Optional	Optional	Optional	Optional	Optional	Optional
CE Certified	Yes	Yes	Yes	Yes	Yes	Yes	Yes	Yes
I/O Actuator								
Number of Inputs, Type	N/A	8, Sinking	N/A	8, Sinking	N/A	8, Sinking	N/A	8, Sinking
Input Current @ 24 VDC	N/A	6ma	N/A	6ma	N/A	6ma	N/A	6ma
Number of Outputs, Type	N/A	8, FET	N/A	8, FET	N/A	8, FET	N/A	8, FET
Continuous Current/ Channel (Amps)	N/A	0.5	N/A	0.5	N/A	0.5	N/A	0.5
Module Maximum Current (Amps)	N/A	0.5	N/A	0.5	N/A	0.5	N/A	0.5
Handle with I/O Module								
Number of Inputs, Type	N/A	8, Sinking	N/A	8, Sinking	N/A	8, Sinking	N/A	8, Sinking
Input Current @ 24 VDC	N/A	4ma	N/A	4ma	N/A	4ma	N/A	4ma
Number of Outputs, Type	N/A	8, FET	N/A	8, FET	N/A	8, FET	N/A	8, FET
Continuous Current/ Channel (Amps)	N/A	0.5	N/A	0.5	N/A	0.5	N/A	0.5
Module Maximum Current (Amps)	N/A	0.5	N/A	0.5	N/A	0.5	N/A	0.5

* -0.1% capacity per foot of travel from floor.

WIRE ROPE INSPECTION

1. Frequent Inspection

The operator or other designated person should visually inspect all ropes at the start of each shift. These visual observations should be concerned with discovering gross damage, such as listed below, which may be an immediate hazard:

- distortion of the rope such as kinking, crushing, unstranding, birdcaging, main strand displacement, or core protrusion;
- general corrosion;
- broken or cut strands;
- number, distribution, and type of visible broken wires (see next section on rope replacement).

When such damage is discovered, the rope shall either be removed from service or given an inspection as detailed in the next section.

2. Periodic Inspection

The inspection frequency shall be determined by a qualified person and shall be based on such factors as expected rope life as determined by experience on the particular installation or similar installations; severity of environment; percentage of capacity lifts; frequency rates of operation; and exposure to shock loads. Inspections need not be at equal calendar intervals and should be more frequent as the rope approaches the end of its useful life.

A designated person shall perform periodic inspections. This inspection shall cover the entire length of rope. The individual outer wires in the strands of the rope shall be visible to this person during the inspection. Any deterioration resulting in appreciable loss of original strength, such as described below, shall be noted, and determination shall be made as to whether further use of the rope would constitute a hazard:

- points listed in previous section on frequent inspection;
- reduction of rope diameter below nominal diameter due to loss of core support, internal or external corrosion, or wear of outside wires.
- severely corroded or broken wires at end connections;
- severely corroded, cracked, bent, worn, or improperly applied end connections.

Special care should be taken when inspecting sections of rapid deterioration, such as the following:

- sections in contact with saddles, equalizer sheaves, or other sheaves where rope travel is limited;
- sections of rope at or near terminal ends where corroded or broken wires may protrude;
- sections subject to reverse bends;
- sections of ropes that are normally hidden during visual inspection, such as parts passing over sheaves.

WIRE ROPE MAINTENANCE

1. Rope should be stored to prevent damage, contamination, and deterioration.
2. Rope shall be unreeled or uncoiled in a manner to avoid kinking of or inducing a twist in the rope.
3. Before cutting rope, means shall be used to prevent unlaying of the strands.
4. During installation, care should be observed to avoid dragging of the rope in dirt or around objects that will scrape, nick, crush, or induce sharp bends.

CAUTION

Rope should be maintained in a well-lubricated condition. Gorbelt recommends using chain and cable penetrating oil for lubrication. Lubricant applied as part of a maintenance program shall be compatible with the original lubricant (PreLube 6). Lubricant applied shall be of the type that does not hinder visual inspection. Immediately after inspection, lubricant shall be applied before rope is returned to service. Those sections of rope that are located over sheaves or otherwise hidden during inspection and maintenance procedures require special attention when lubricating ropes. The object of rope lubrication is to reduce internal friction and to prevent corrosion.

WIRE ROPE REPLACEMENT CRITERIA

1. No precise rules can be given for determination of the exact time for rope replacement since many factors are involved. Once a rope reaches any one of the specified removal criteria, it may be allowed to operate to the end of the work shift, based on the judgment of a qualified person. The rope shall be replaced after that work shift, at the end of the day, or at the latest time prior to the equipment being used by the next work shift.
2. Removal criteria for the rope replacement shall be as follows:
 - in running ropes, 12 randomly distributed broken wires in one lay or four broken wires in one strand in one lay (**diagram L**);
 - one outer wire broken at the contact point with the core of the rope, which has worked its way out of the rope structure and protrudes or loops out from the rope structure;
 - wear of one-third the original diameter of outside individual wires;
 - kinking, crushing, birdcaging, or any other damage resulting in distortion of the rope structure;
 - evidence of heat damage from any cause;
 - reductions from nominal diameter greater than 1/64" (.4 mm) for 1/4" (6.35 mm) diameter rope or 3/16" (4.76 mm) diameter rope.
3. Broken wire removal criteria applies to wire rope operating on steel sheaves and drums. However, results of internal testing have shown that rope replacement follows the same criteria regardless of sheave or drum material.
4. Attention shall be given to end connections. Upon development of two broken wires adjacent to a socketed end connection, the rope should be resocketed or replaced. Resocketing shall not be attempted if the resulting rope length will be insufficient for proper operation.
5. Replacement rope and connections shall have strength rating at least as great as the original rope and connection furnished by the hoist manufacturer. A rope manufacturer, the hoist manufacturer, or a qualified person shall specify any deviation from the original size, grade, or construction.

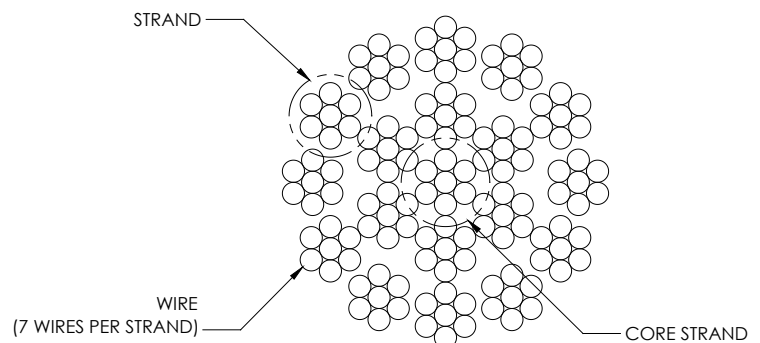


Diagram L. 19x7 Preformed Wire Rope Composition.

WIRE ROPE REPLACEMENT INSTRUCTIONS

WARNING

Wire rope replacement is to be performed by qualified maintenance personnel only.

Removal of Existing Wire Rope:

1. Make sure the replacement rope is same length as rope currently on actuator unit.
 - A. Ensure there is no load on handle, weighted load hook (pendant) or end effector.
 - B. If using slow down setting, clear (reset) on handle or pendant handle menu screen. If using virtual limits, clear (reset) on handle or the pendant handle's menu screen.
 - C. Remove end tool.
 - a. Slide handle: Using a 24mm socket and ratchet, remove the nut from the handle's socket head shoulder screw, then use an M8 hex wrench and remove (unthread) socket head shoulder screw from handle. This will detach it from wire rope thimble. Set handle down on bench or table to support it and not stretch coil cord.
 - b. Pendant handle: Remove the weighted hook or end effector from rope removing the clip and pin and set aside.
2. Using a 3mm hex wrench, completely remove the four button head screws on front cover.
3. Remove front cover from actuator and set aside upward to use as a bowl to hold future parts. **Note:** Be careful not to contact circuit board.
4. Going in the down direction, unspool rope from drum using jog down button while keeping tension on wire rope with other hand wearing a glove. Continue until lower limit is engaged.
5. Insert a medium sized screwdriver between the white colored wear ring and the actuator black casting where the wire rope exits the actuator (right side). This will keep the slack switch disengaged while jogging down the remainder of the rope (**diagram M**).
6. Face the unit with circuit board on your left and wire rope on the right.

Note: The next two steps must be done at the same time.

7. Using a long screwdriver or hex wrench, reach through front of actuator and locate upper socket head cap screw head facing you underneath the lower limit switch. Fully push the screw in until it cannot move anymore (it is spring loaded). Keep pressure on it (**diagram N**).
8. Using your right hand, press the jog down button while watching the drum rotate two full turns in the clockwise direction. The drum should stop automatically with the wire rope retainer visible at the 3 o'clock position on the drum.



Diagram M.

Insert screwdriver between the white wear ring and the actuator casting where the rope exits the actuator.

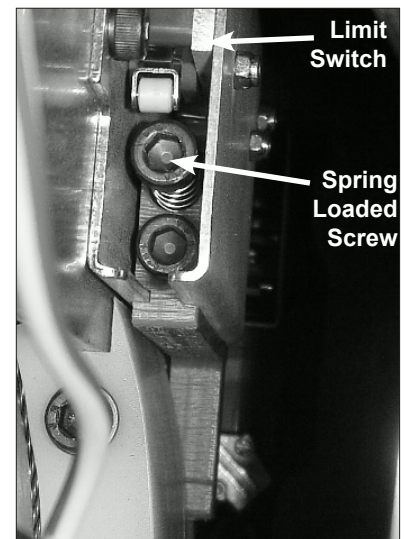


Diagram N.

Locate socket head cap screw head and fully push it in until it can not move anymore.

WIRE ROPE REPLACEMENT INSTRUCTIONS (CONTINUED)

Removal of Existing Wire Rope (Continued):

9. From the limit switches is a gray colored lead that plugs into the circuit board. Its connected location is approximately two inches down the right side of the circuit board labeled "limits". Gently pull out the plug lead to disconnect plug from board (**diagram O**).
10. Using 13mm open-end wrench, loosen, not remove, the two flange nuts and remove reinforcement bracket.
11. Using a 4mm hex wrench, remove four M5 socket head cap screws that fasten the swiveling circuit board bracket to the front support plate. Two screws are located on the top and two are on the bottom of bracket. Set screws in plastic front cover. Swing bracket out towards you and to the left (**diagrams P and Q**).
12. Using an M5 hex wrench, remove two M6 socket head cap screws from the drum gates. Slide the unthreaded gate out towards you. Place gate and hardware in front cover (**diagram R**).
13. Using an M6 hex wrench, remove the two M8 socket head cap screws from the blue colored rope retainer and slide retainer off of rope end towards you. Set retainer and screws in front cover (**diagram S**).
14. Grasp wire rope with right hand where it exits actuator. Keep rope from bending while pushing rope upward to unseat the stop sleeve from the anchor channel. If this does not work, use a medium screwdriver (flat) sliding it upward between rope and drum to progressively pry rope out of anchor channel while still pushing up on rope. Remove rope from actuator through opening at bottom once unseated.

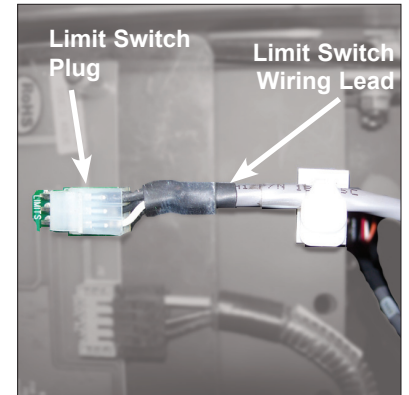
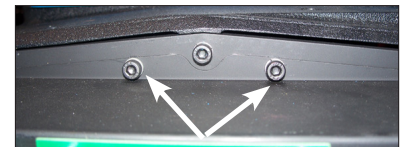


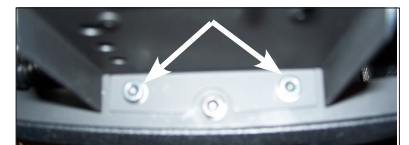
Diagram O.

Gently pull out the grey limit switch wiring lead to disconnect plug from board.

Top



Bottom



Diagrams P & Q.

Remove four M5 socket head cap screws (two on top, two on bottom) that fasten the swiveling circuit board bracket to the front support plate.

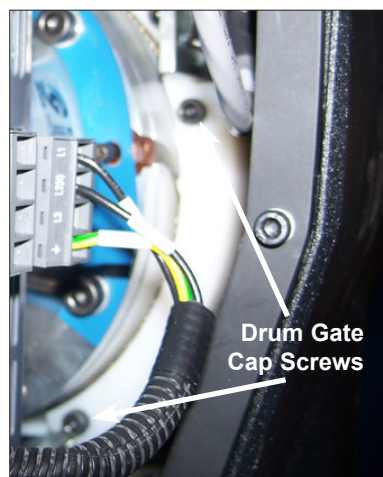


Diagram R.

Remove two M6 socket head cap screws from the drum gates.



Diagram S.

Remove the two M8 socket head cap screws and slide retainer off of rope end towards you.

WIRE ROPE REPLACEMENT INSTRUCTION (CONTINUED)

Installation of New Wire Rope:

1. Grasp anchor end of rope (not thimble) and make a crimp in gloved hand approximately three inches from the end (try to kink rope to make a bend radius).
2. Insert the rope into the actuator up through the wear ring using right hand while seating the end crimp into the locker with your left hand. This will involve seating the rope into the radius channel afterwards.
3. Pull down on the rope at the exit location of the actuator to seat the crimp into the locker fully.
4. Install the rope retainer plate over the rope end and install the two M8 socket head cap screws and lockwashers. Torque hardware to fully compress lockwashers.
5. Ensure that rope is seated in radius channel and install rope gate back in the unit making sure the rope guide (cutout) side is inserted first and the ends are sliding on guide rails freely. Fasten the rope gate assembly together using the previously removed hardware. Torque hardware to compress lockwashers.
6. Install (slide) the reinforcement bracket studs into channels and tighten the two 13mm flange nuts. Next, swing circuit board bracket closed towards plate and fasten to plate using the four previously removed socket head cap screws and lockwashers. Torque hardware to compress lockwashers.
7. Plug limit switch lead into circuit board "limits" receptacle making sure retention tab on plug is facing you.
8. Using a clean cotton cloth wrapped around rope loosely near actuator entrance, pull down on rope and press jog up button allowing rope to pass through cloth cleaning it as it is being wrapped onto the drum. Continue loading rope onto drum using jog button until three drum revolutions are completed.
9. Remove screwdriver from between actuator and wear ring.
10. Install front cover onto actuator making sure all four screws are aligned with tabs before threading.
11. If using coil cord, make sure rope is inserted down through the middle of the coils.
12. Attach wire rope to handle, weighted hook, or end effector in reverse order of disassembly.
13. Reset virtual limits and/or slow down settings.

1320 LB. WIRE ROPE REPLACEMENT INSTRUCTIONS

1. Disconnect handle or G360™ from wire rope by disconnecting coil cord and/or air hose (if applicable), removing coil cord mounting plate, and removing pulley pin.
2. Remove fasteners holding the reinforcement plate to the bottom of the actuator and nuts holding the U-bolt, freeing the end of the wire rope.
3. Follow normal wire rope change procedure.
4. Reverse steps once new wire rope is installed.

SLACK SPRING ADJUSTMENT

Slack spring adjustment is necessary if one or more of the following conditions apply:

- When wire rope continues to “pay out” from actuator when end effector (handle, tooling) is being supported and down travel is commanded.
- When slack wire rope deflection exceeds 3 inches when end effector is supported.
- When tooling is added to a G360™ assembly.
- When an air-line coil hose assembly is added between the end effector and actuator.
- When a change from pendant handle to slide handle or vice-versa occurs.
- **When chatter or erratic travel down operation occurs when using an unloaded G360¹ or weighted hook traveling downward from top of travel up limit (spring too tight).**

¹Unloaded G360™ equipped hoist may encounter this type of operation until tooling is added.

Slack Spring Adjustment Procedure:

1. Use an M3 hex wrench to remove all screws securing the blue rear cover to actuator. Place screws in cover and set aside.
2. Locate slack spring over the motor, next to casting (**diagram T**). Spring is held in place by a motor bracket on one end and an eyebolt on the other end.
3. Using a 10mm open-end wrench, loosen the nut closest to the “eye” (inside) on bolt (**diagram U**).
4. **If chatter or erratic operation of hoist while traveling down is encountered**, the end effector or tooling on wire rope is not heavy enough to overcome the spring tension. Loosen the outside nut one half turn and test the hoist operation (full stroke up and down) between each half turn adjustment of eyebolt nut until chattering is eliminated.
5. All other conditions will require the outside nut to be adjusted by turning clockwise, tightening to increase tension in the slack spring. Before tightening this nut, be sure there is enough free travel of the eyebolt (inside nut loose).
6. Using the applications’ end effector (handle, unloaded end tool), travel downward resting end effector on floor. If rope continues to “pay out” from actuator beyond two seconds after reaching floor, remove hand from handle or release down button (pendant). Turn the outside nut clockwise one half turn tightening it. Test again by traveling up removing handle or tooling from floor and travel down again resting on floor. Continue adjusting and testing this until rope travel stops within two seconds of effector resting (supported) on floor and deflection of rope is 3-4 inches. Tighten inside nut clockwise until “jammed” against sheet metal while keeping eyebolt stationary.
7. Correct slack adjustment occurs when a deflection of the wire rope is 3-4 inches when in slack mode and rope travel stops (**diagram V**).

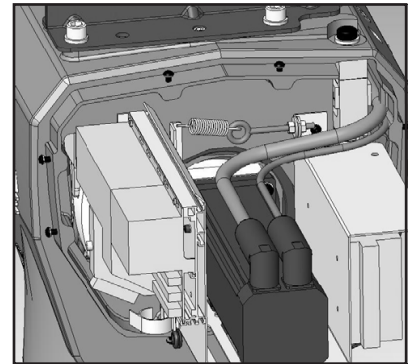


Diagram T.

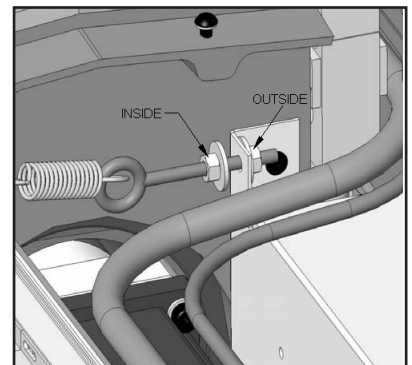


Diagram U.

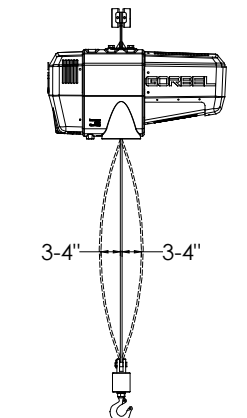


Diagram V.

RECOMMENDED SPARE PARTS KITS

Here is a list of the Spare Parts Kits we recommend. We encourage you to have spare parts on hand to limit the potential downtime if your unit experiences issues. To order any of these kits, please contact your authorized Gorbel® distributor.

You will have to know your system specifications such as Capacity, Trolley Saddle Height, Height Under Hook and Span (if applicable to your unit).

Level One Kit contains:

One Wire Rope Assembly
One Coil Cord Assembly

Level Two Kit contains:

One Wire Rope Assembly
One Coil Cord Assembly
One Hardware Kit

Level Three Kit contains:

One Wire Rope Assembly
One Coil Cord Assembly
One Hardware Kit
One Swivel Kit*

* If your system is equipped with a Suspended Pendant Handle you can use the Level Two Kit because you will not need the Swivel Kit.

- All kits can be used on either G-Forces or Easy Arms regardless of their capacity.

LIMITED WARRANTY

It is agreed that the equipment purchased hereunder is subject to the following LIMITED warranty and no other. Gorbel Incorporated ("Gorbel") warrants the manual push-pull Work Station Cranes, Jib Crane, and Gantry Crane products to be free from defects in material or workmanship for a period of ten years or 20,000 hours use from date of shipment. Gorbel warrants the Motorized Work Station Cranes and Jib Crane products to be free from defects in material or workmanship for a period of two years or 4,000 hours use from the date of shipment. Gorbel warrants the G-Force® and Easy Arm™ products to be free from defects in material or workmanship for a period of one year or 2,000 hours use from the date of shipment. This warranty does not cover Gantry Crane wheels. This warranty shall not cover failure or defective operation caused by operation in excess of recommended capacities, misuses, negligence or accident, and alteration or repair not authorized by Gorbel. No system shall be field modified after manufacture without the written authorization of Gorbel, Inc. Any field modification made to the system without the written authorization of Gorbel, Inc. shall void Gorbel's warranty obligation. OTHER THAN AS SET FORTH HEREIN, NO OTHER EXPRESS WARRANTIES, AND NO IMPLIED WARRANTIES, ORAL OR WRITTEN, INCLUDING BUT NOT LIMITED TO THE WARRANTIES OF MERCHANTABILITY OR FITNESS FOR A PARTICULAR PURPOSE, ARE MADE BY GORBEL WITH RESPECT TO ITS PRODUCTS AND ALL SUCH WARRANTIES ARE HEREBY SPECIFICALLY DISCLAIMED. GORBEL SHALL NOT BE LIABLE UNDER ANY CIRCUMSTANCES FOR ANY INCIDENTAL, SPECIAL AND/OR CONSEQUENTIAL DAMAGES WHATSOEVER, WHETHER OR NOT FORESEEABLE, INCLUDING BUT NOT LIMITED TO DAMAGES FOR LOST PROFITS AND ALL SUCH INCIDENTAL, SPECIAL AND/OR CONSEQUENTIAL DAMAGES ARE HEREBY ALSO SPECIFICALLY DISCLAIMED. Gorbel's obligation and Purchaser's or end user's sole remedy under this warranty is limited to the replacement or repair of Gorbel's products at the factory, or at the discretion of Gorbel, at a location designated by Gorbel. Purchaser or end user shall be solely responsible for all freight and transportation costs incurred in connection with any warranty work provided by Gorbel hereunder. Gorbel will not be liable for any loss, injury or damage to persons or property, nor for damages of any kind resulting from failure or defective operation of any materials or equipment furnished hereunder. Components and accessories not manufactured by Gorbel are not included in this warranty. Purchaser's or end user's remedy for components and accessories not manufactured by Gorbel is limited to and determined by the terms and conditions of the warranty provided by the respective manufacturers of such components and accessories.

A) DISCLAIMER OF IMPLIED WARRANTY OF MERCHANTABILITY

Gorbel and Purchaser agree that the implied warranty of merchantability is excluded from this transaction and shall not apply to the goods involved in this transaction.

B) DISCLAIMER OF IMPLIED WARRANTY OF FITNESS FOR PARTICULAR PURPOSE

Gorbel and Purchaser agree that the implied warranty of fitness for particular purpose is excluded from this transaction and shall not apply to the goods involved in this transaction.

C) DISCLAIMER OF EXPRESS WARRANTY

Gorbel's agents, or dealer's agents, or distributor's agents may have made oral statements about the machinery and equipment described in this transaction. Such statements do not constitute warranties, and Purchaser agrees not to rely on such statements. Purchaser also agrees that such statements are not part of this transaction.

D) DISCLAIMER OF SPECIAL, INCIDENTAL AND CONSEQUENTIAL DAMAGES

Gorbel and Purchaser agree that any claim made by Purchaser which is inconsistent with Gorbel's obligations and the warranty remedies provided with Gorbel's products, and in particular, special, incidental and consequential damages, are expressly excluded.

E) DEALER OR DISTRIBUTOR NOT AN AGENT

Gorbel and Purchaser agree that Purchaser has been put on notice that dealer or distributor is not Gorbel's agent in any respect for any reason. Gorbel and Purchaser also agree that Purchaser has been put on notice that dealer or distributor is not authorized to incur any obligations or to make any representations or warranties on Gorbel's behalf other than those specifically set forth in Gorbel's warranty provided in connection with its product.

F) MERGER

This warranty agreement constitutes a final and complete written expression of all the terms and conditions of this warranty and is a complete and exclusive statement of those terms.

G) PAINTING

Every crane (excluding components) receives a quality paint job before leaving the factory. Unfortunately, no paint will protect against the abuses received during the transportation process via common carrier. We have included at least one (1) twelve ounce spray can for touchup with each crane ordered (unless special paint was specified). If additional paint is required, contact a Gorbel® Customer Service Representative at 1-800-821-0086 or 1-585-924-6262.

Title and Ownership:

Title to the machinery and equipment described in the foregoing proposal shall remain with Gorbel and shall not pass to the Purchaser until the full amount hereof agreed to be paid has been fully paid in cash.

Claims and Damages:

Unless expressly stated in writing, goods and equipment shall be at Purchaser's risk on and after Seller's delivery in good shipping order to the Carrier. Gorbel shall in no event be held responsible for materials furnished or work performed by any person other than it or its authorized representative or agent.

Cancellations:

If it becomes necessary for the purchaser to cancel this order wholly or in part, he shall at once so advise Gorbel in writing. Upon receipt of such written notice all work will stop immediately. If the order entails only stock items, a flat restocking charge of 15% of the purchase price will become due and payable by Purchaser to Gorbel. Items purchased specifically for the canceled order shall be charged for in accordance with the cancellation charges of our supplier plus 15% for handling in our factory. The cost of material and/or labor expended in general fabrication for the order shall be charged for on the basis of total costs to Gorbel up to the time of cancellation plus 15%.

Returns:

No equipment, materials or parts may be returned to Gorbel without express permission in writing to do so.

Extra Charge Delay: If Purchaser delays or interrupts progress of Seller's performance, or causes changes to be made, Purchaser agrees to reimburse Gorbel for expense, if any, incident to such delay.

Changes and Alterations:

Gorbel reserves the right to make changes in the details of construction of the equipment, as in its judgment, will be in the interest of the Purchaser; will make any changes in or additions to the equipment which may be agreed upon in writing by the Purchaser; and Gorbel is not obligated to make such changes in products previously sold any customer.

Third Party Action:

Should Gorbel have to resort to third party action to collect any amount due after thirty (30) days from date of invoice, the Purchaser agrees to pay collection costs, reasonable attorney's fees, court costs and legal interest.

OSHA Responsibilities:

Gorbel agrees to fully cooperate with Purchaser in the design, manufacture or procurement of safety features or devices that comply with OSHA regulations. In the event additional equipment or labor shall be furnished by Gorbel, it will be at prices and standard rates then in effect, or as may be mutually agreed upon at the time of the additional installation.

Equal Employment Opportunity:

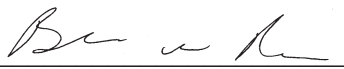
Gorbel agrees to take affirmative action to ensure equal employment opportunity for all job applicants and employees without regard to race, color, age, religion, sex, national origin, handicap, veteran, or marital status. Gorbel agrees to maintain non-segregated work facilities and comply with rules and regulations of the Secretary of Labor or as otherwise provided by law or Executive Order.

CE Declaration of Conformity

Hereby, Gorbels Inc., declares that this material handling equipment is in compliance with the essential requirements and other relevant provisions listed below.

EMC Directive:	2004/108/EC	
Generic Emissions Standard:	EN 61000-6-4:2007+A1:2011	
Product Specific Emissions:	EN 55011	
Generic Immunity Standard:	EN 61000-6-2: 2005	
Immunity:	EN 61000-4-2:2009	Electrostatic Discharge
	EN 61000-4-2:2009	Radiated Susceptibility
Low Voltage Directive:	98/68/EEC	
Standard:	EN 61010	Equipment for Measurement, Control, & Laboratory Use
Machinery Directive:	2006/42/EC	
Standard:	EN 60204	Safety of Machinery/Electrical Equipment of Machinery
	EN 81-3:2000	“Safety rules for the construction and installation of lifts- Part: 3 Electric and hydraulic service lifts
	prEN 81031	“Safety Rules for the construction and installation of lifts- Lifts for the transport of goods only- Part: 31 Accessible goods only lifts

Manufacturer's Name: **Gorbels**
Manufacturer's Address: 600 Fishers Run
P.O. Box 593
Fishers, NY 14453-0593
Product: G-Force
Model Number: Q
Accessories: All

Signature: 
Blake Reese
Product Development Electrical Engineer
Gorbels, Inc.
600 Fishers Run, PO Box 593
Fishers, NY 14453
Phone: 585-924-6262
Fax: 585-924-6273



CE Declaration of Conformity

Hereby, Gorbel Inc., declares that this material handling equipment is in compliance with the essential requirements and other relevant provisions listed below.

EMC Directive:	2004/108/EC	
Generic Emissions Standard:	EN 61000-6-4:2007+A1:2011	
Product Specific Emissions:	EN 55011	
Generic Immunity Standard:	EN 61000-6-2: 2005	
Immunity:	EN 61000-4-2:2009	Electrostatic Discharge
	EN 61000-4-2:2009	Radiated Susceptibility
Low Voltage Directive:	98/68/EEC	
Standard:	EN 61010	Equipment for Measurement, Control, & Laboratory Use
Machinery Directive:	2006/42/EC	
Standard:	EN 60204	Safety of Machinery/Electrical Equipment of Machinery
	EN 81-3:2000	“Safety rules for the construction and installation of lifts- Part: 3 Electric and hydraulic service lifts
	prEN 81031	“Safety Rules for the construction and installation of lifts- Lifts for the transport of goods only- Part: 31 Accessible goods only lifts

Manufacturer's Name: **Gorbel**
Manufacturer's Address: 600 Fishers Run
P.O. Box 593
Fishers, NY 14453-0593
Product: G-Force
Model Number: iQ
Accessories: All

Signature: _____

Blake Reese
Product Development Electrical Engineer
Gorbel, Inc.
600 Fishers Run, PO Box 593
Fishers, NY 14453
Phone: 585-924-6262
Fax: 585-924-6273



INSPECTION AND MAINTENANCE SCHEDULE

GORBEL® G-FORCE® INSPECTION AND MAINTENANCE SCHEDULE			
ITEM	COMPONENT	MAINTENANCE	FREQUENCY*
1	Wire Rope	Look for any obvious external defects, damage or excessive wear. Check the lower end where it attaches to the handle, swivel assembly or tooling (by others) for signs of damage or excessive wear.	Start of Each Shift
2	Wire Rope	Expose as much of the wire rope as possible and wipe it off with a clean dry cloth. Use the jog button to pay out as much wire rope as possible.	Monthly
3	Wire Rope	Maintenance listed in (1) as well as reduction of rope diameter below nominal diameter due to loss of core support, internal or external corrosion, or wear of outside wires; severely corroded or broken wires at end connections; or severely corroded, cracked, bent, worn, or improperly applied end connections.	Periodically (to be determined by qualified persons only)
4	Coil Cord Assembly	Look for any obvious external defects or damage caused by the wire rope of other external causes. Make sure all coil cord clamps are in place.	Start of Each Shift
5	Slack Switch Adjustment	Using the handle, lower the wire rope until it goes slack. There should be no additional movement downward once it is slack. If the wire rope continues to pay out, stop immediately and perform the slack switch adjustment. Check the coil cord and air hose clamps on the wear ring to insure the wear ring is moving freely inside the actuator opening.	Monthly
6	Handle	Check for smooth operation of the handle. <ul style="list-style-type: none"> Slide Handle Only - Check operator present sensor for correct operation. Use a gentle puff of compressed air or a soft cloth to clean the sensor. Do not apply any pressure to the lens or do anything that may scratch it. Verify proper handle swivel functionality. Pendant Handle Only - Check levers to make sure they function smoothly. 	Start of Each Shift
7	Handle I/O Connections	Check connections at handle (if equipped). Wipe off any oil or other contamination from either handle at this time. Clean the LCD screen as well.	Monthly
8	Air Hose (if equipped)	Look for any obvious external damage or wear caused by the wire rope or other external causes. Make sure the air hose is secured properly with the correct clamps	Start of Each Shift
9	Load Hook and/or Tooling (by others)	Check that the load hook is secured properly to the handle or swivel. Make sure lock washers are compressed completely and any other associated hardware is secure.	Start of Each Shift
10	G-Force® Assembly	Conduct a visual inspection of the entire G-Force® unit.	Start of Each Shift
11	Limit Switches	Verify that the upper and lower limit switches are operating properly. Verify that the slack switch is operating properly. Replace switches immediately if they are faulty.	Start of Each Shift

* Federal, state and local codes may require inspection and maintenance checks more often. Please check the federal, state and local code manuals in your area.

WARNING

Any changes in rotating effort or unusual noises must be immediately identified and corrected.

For additional service information, please consult the G-Force® Q and iQ Series Service Manual available from Gorbel or go to <http://www.gorbel.com/support/gfserVICeregISTRATION.aspx> to register your G-Force® and sign up for our Platinum Service Package.

GORBEL®
A CLASS ABOVE

600 Fishers Run, P.O. Box 593
Fishers, NY 14453-0593
Phone: (800) 821-0086
Fax: (800) 828-1808
E-Mail: info@gorbel.com
<http://www.gorbel.com>

© 2008 Gorbel Inc.
All Rights Reserved

 **LinkedIn**
linkedin.com/company/gorbel

 Facebook
Facebook.com/gorbelinc

 **YouTube**
youtube.com/gorbelmarketing

 Twitter
twitter.com/gorbelinc

 **RSS**
gorbel.com/blog

GORBEL®
A CLASS ABOVE